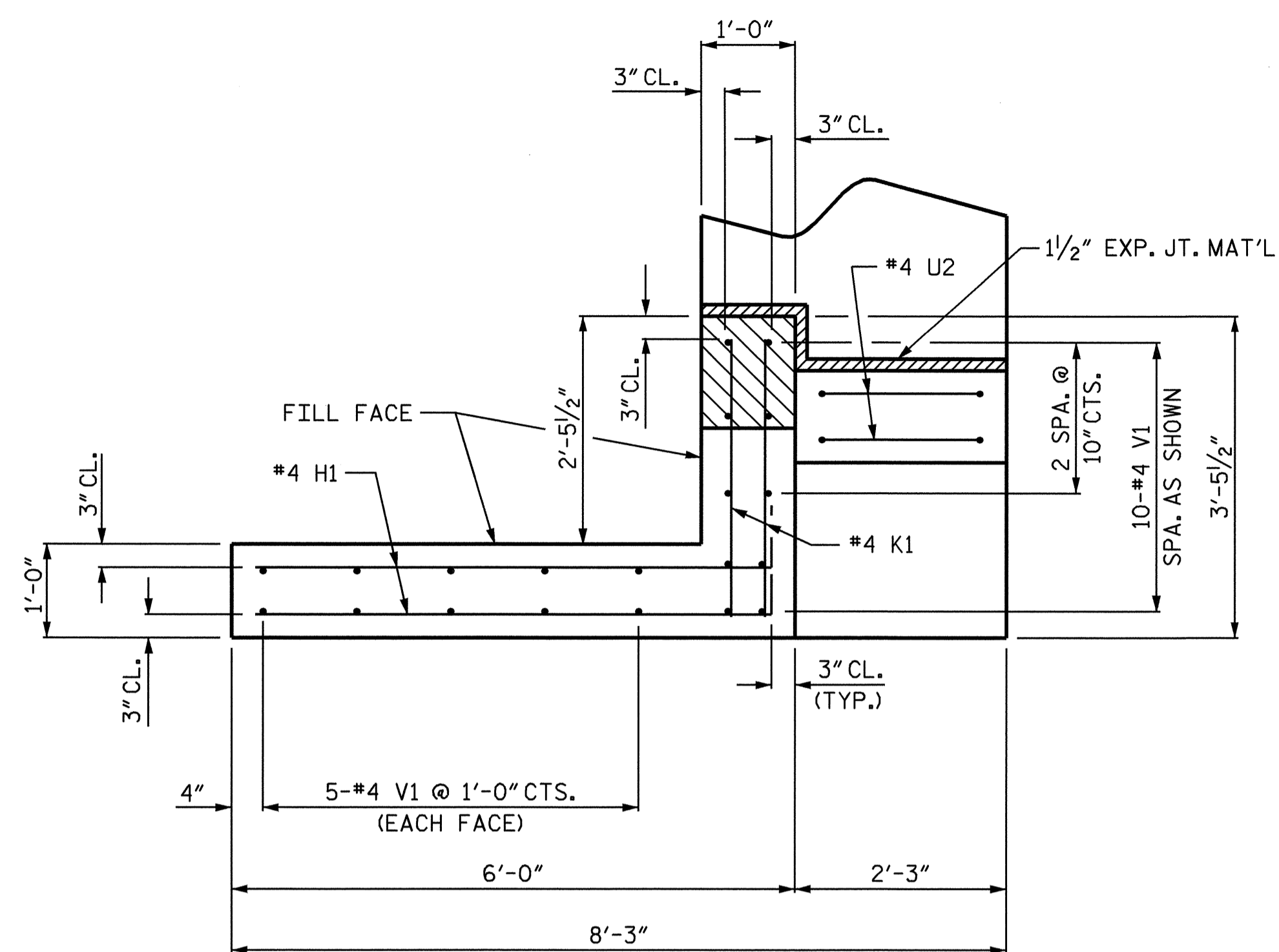
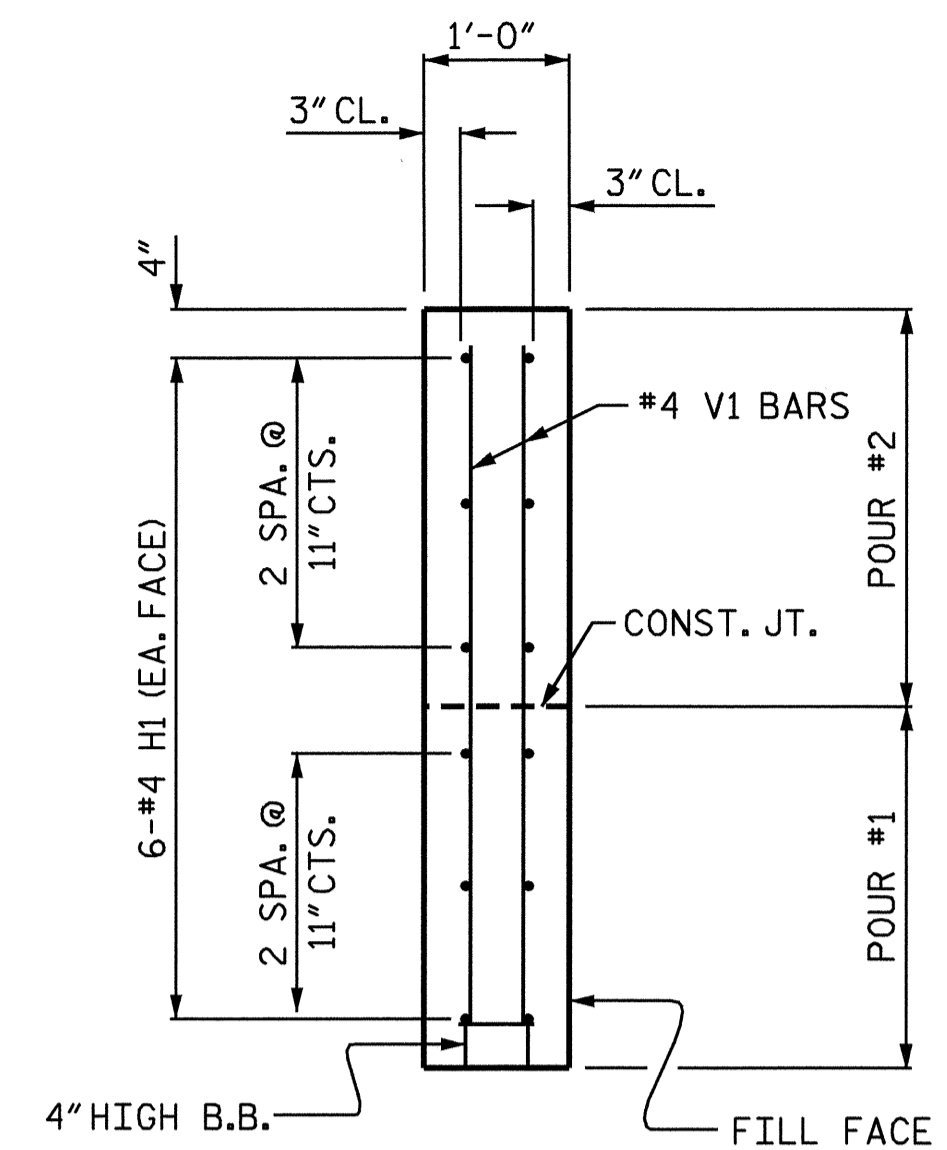


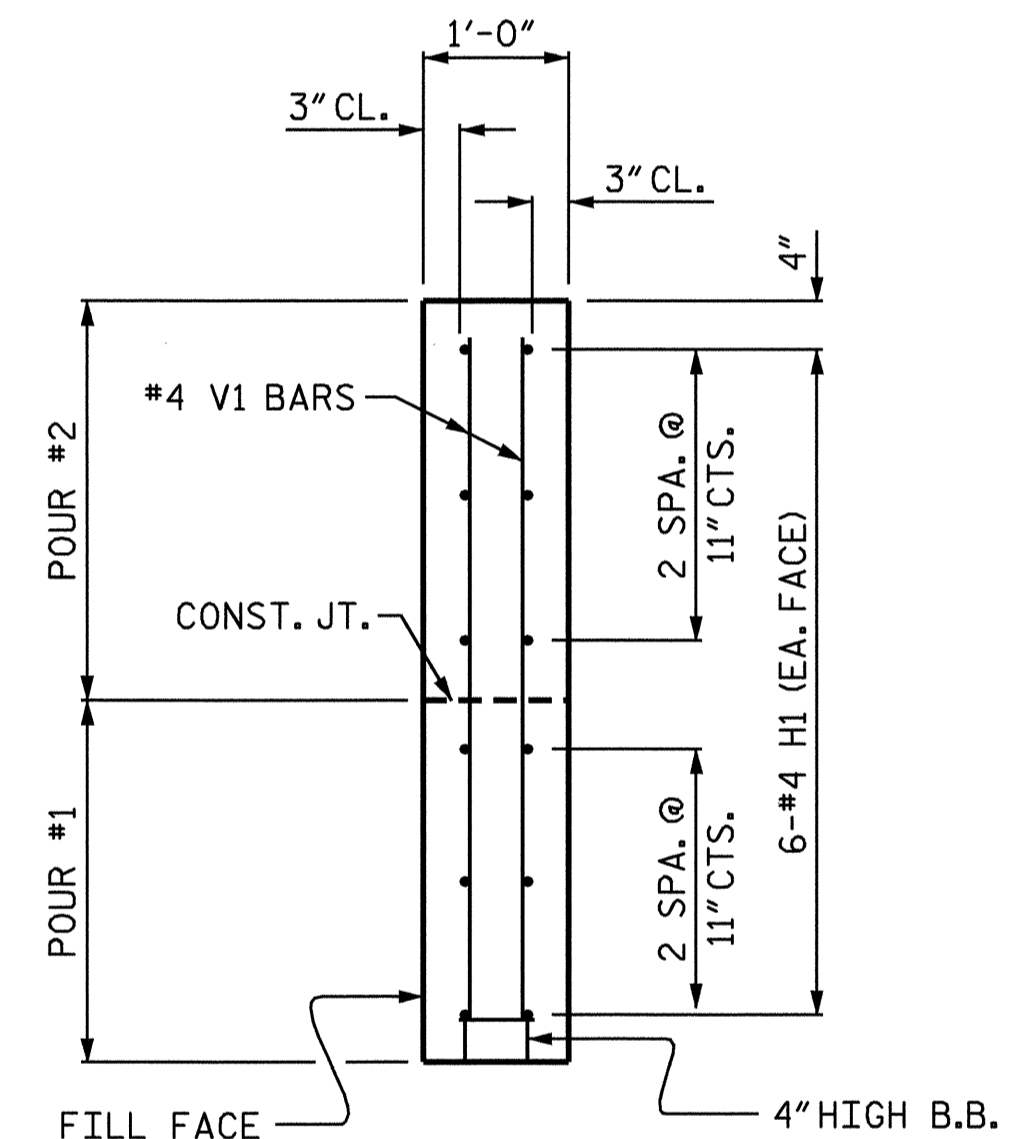
PLAN OF WING (W1)  
(STAGE 2)



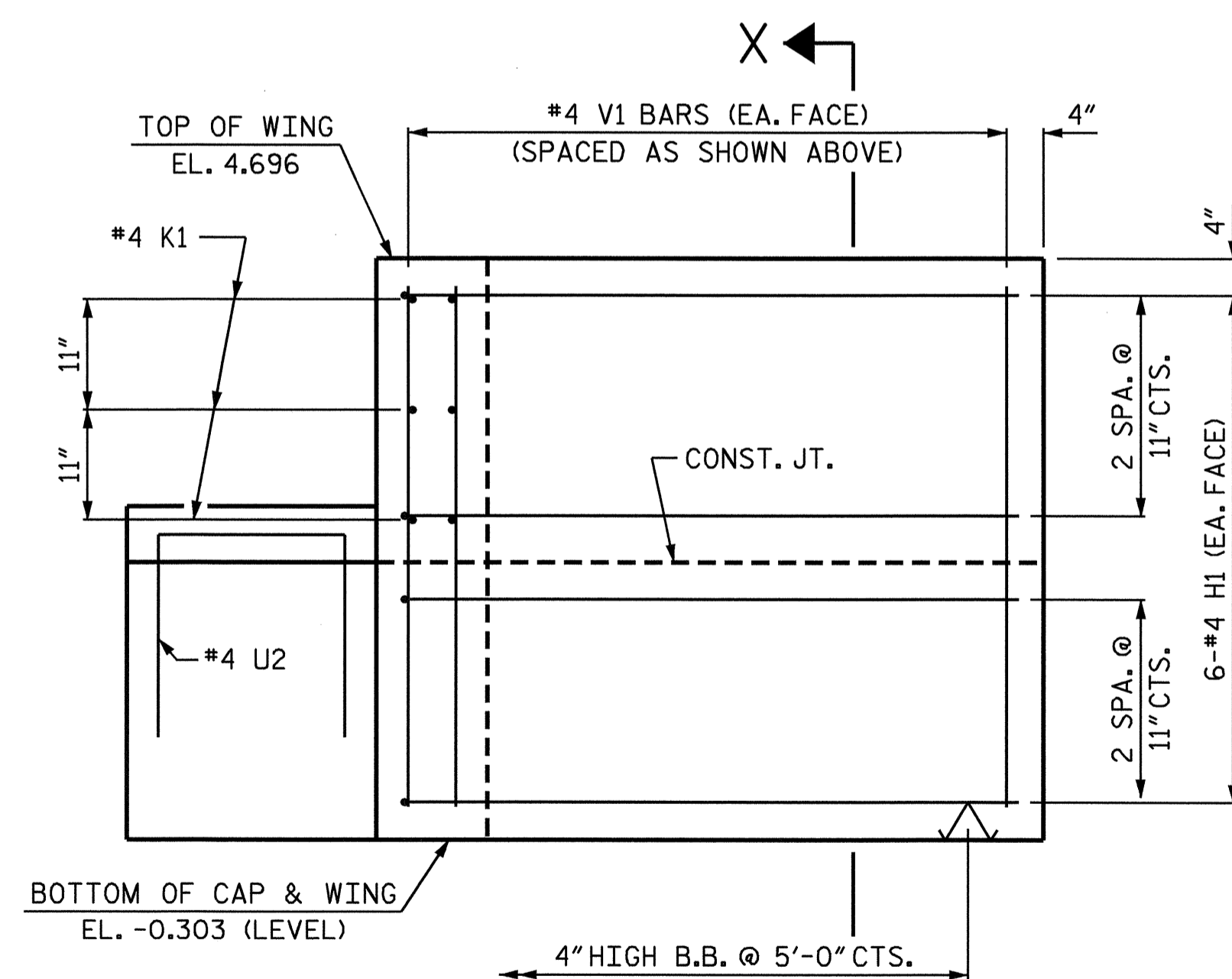
PLAN OF WING (W2)  
(STAGE 1)



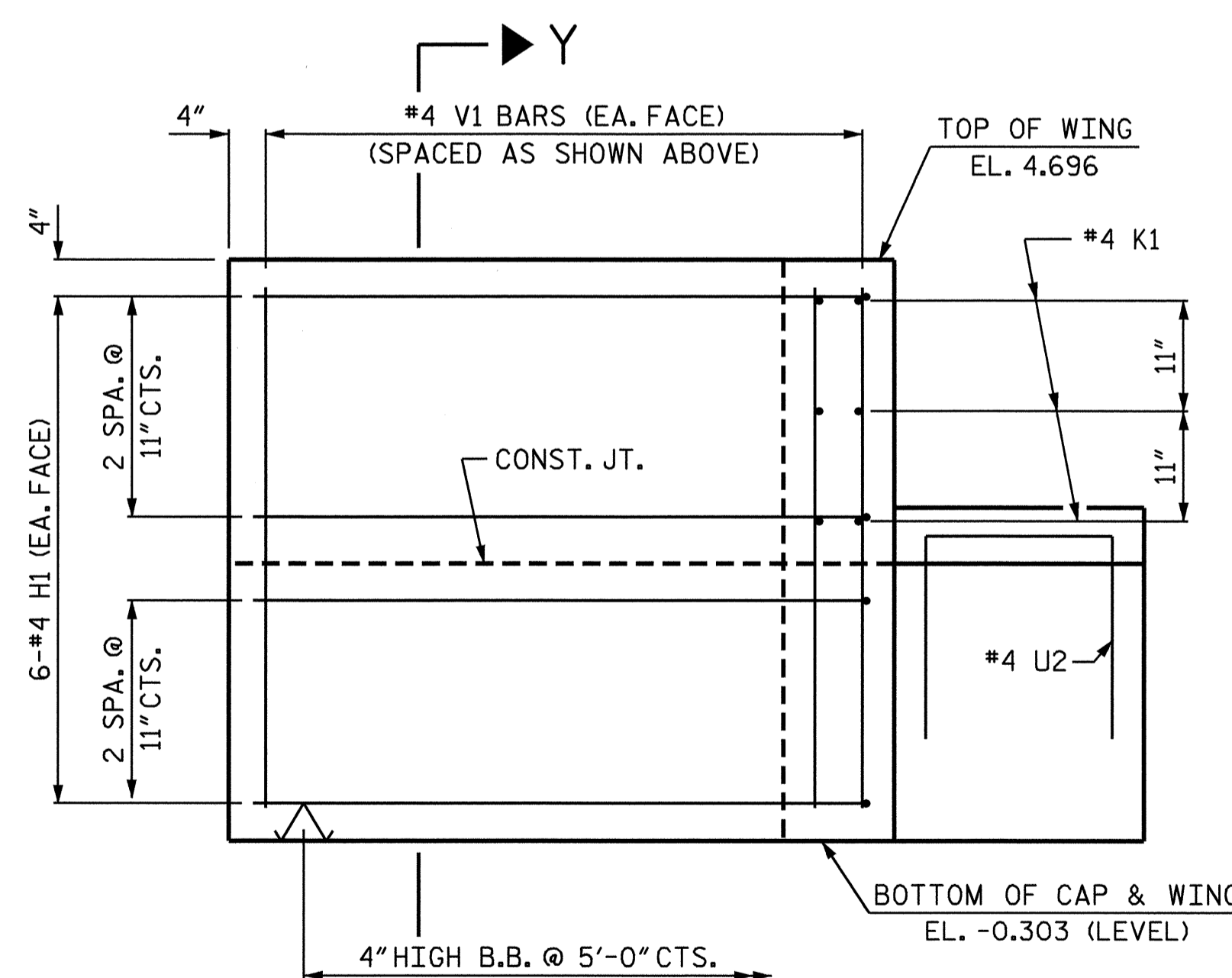
SECTION X-X



SECTION Y-Y



ELEVATION OF WING (W1)  
(STAGE 2)



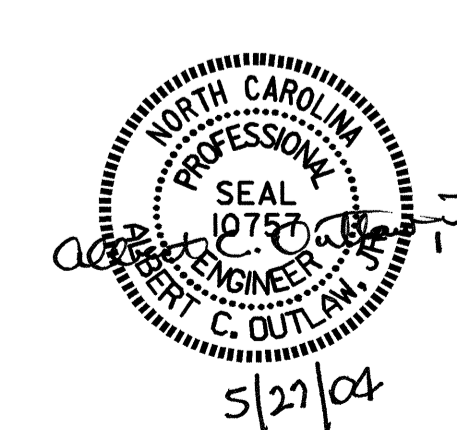
ELEVATION OF WING (W2)  
(STAGE 1)

PROJECT NO. B-3348  
HYDE COUNTY  
STATION: 22+85.00 -L-

SHEET 3 OF 4

STATE OF NORTH CAROLINA  
DEPARTMENT OF TRANSPORTATION  
RALEIGH

SUBSTRUCTURE  
END BENT No. 1



DRAWN BY: P.C. BREWER DATE: 2/10/04  
CHECKED BY: S.B. WILLIAMS DATE: 2/23/04

27-MAY-2004 09:11  
W:\squad\b3348\str2\pbrewer\Microstation\B3348.sd.EB1.02.dgn  
pbrewer

REVISIONS						SHEET NO.
NO.	BY:	DATE:	NO.	BY:	DATE:	S-52
1			3			TOTAL SHEETS
2			4			76