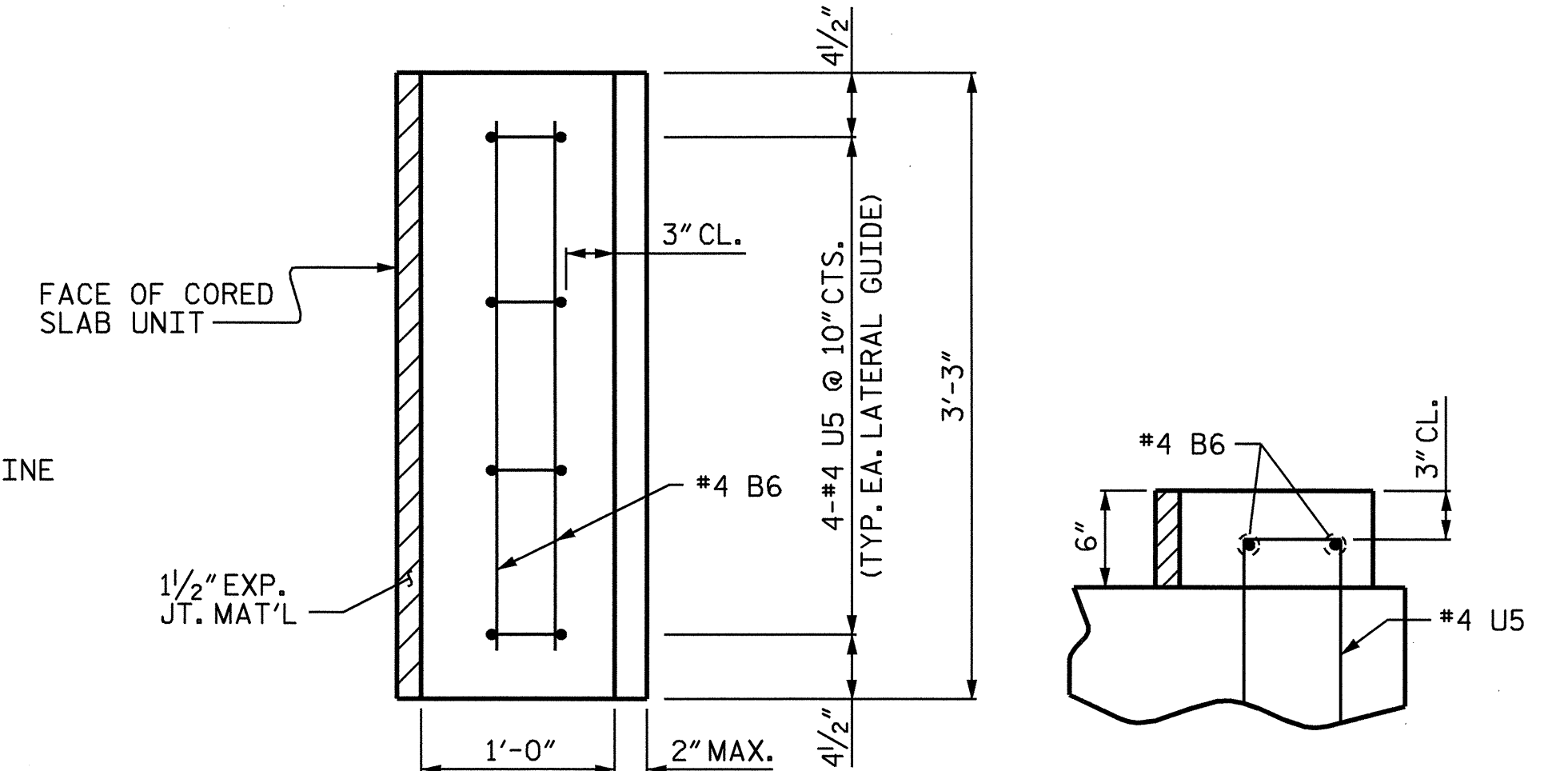
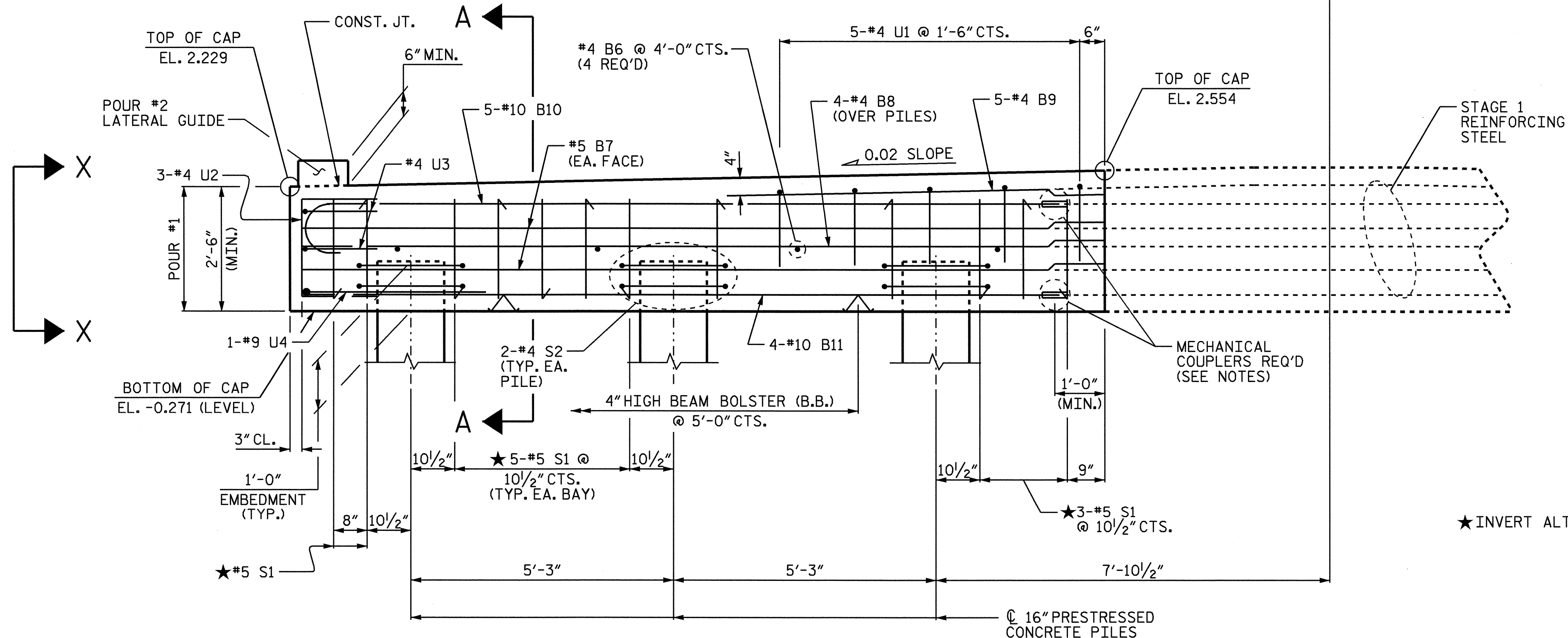


PLAN (STAGE 2)



LATERAL GUIDE DETAIL



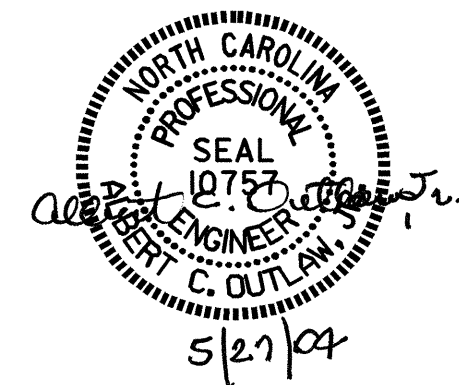
ELEVATION (STAGE 2)

★ INVERT ALTERNATE STIRRUPS AS SHOWN.

PROJECT NO. B-3348
HYDE COUNTY
 STATION: 22+85.00 -L-

SHEET 2 OF 3

STATE OF NORTH CAROLINA
 DEPARTMENT OF TRANSPORTATION
 RALEIGH
 SUBSTRUCTURE
 BENT No. 1
 STAGE 2



REVISIONS						SHEET NO.
NO.	BY:	DATE:	NO.	BY:	DATE:	S-55
1			3			TOTAL SHEETS 76
2			4			

DRAWN BY : P.C. BREWER DATE : 3/8/04
 CHECKED BY : M. BRITT DATE : 4/20/04