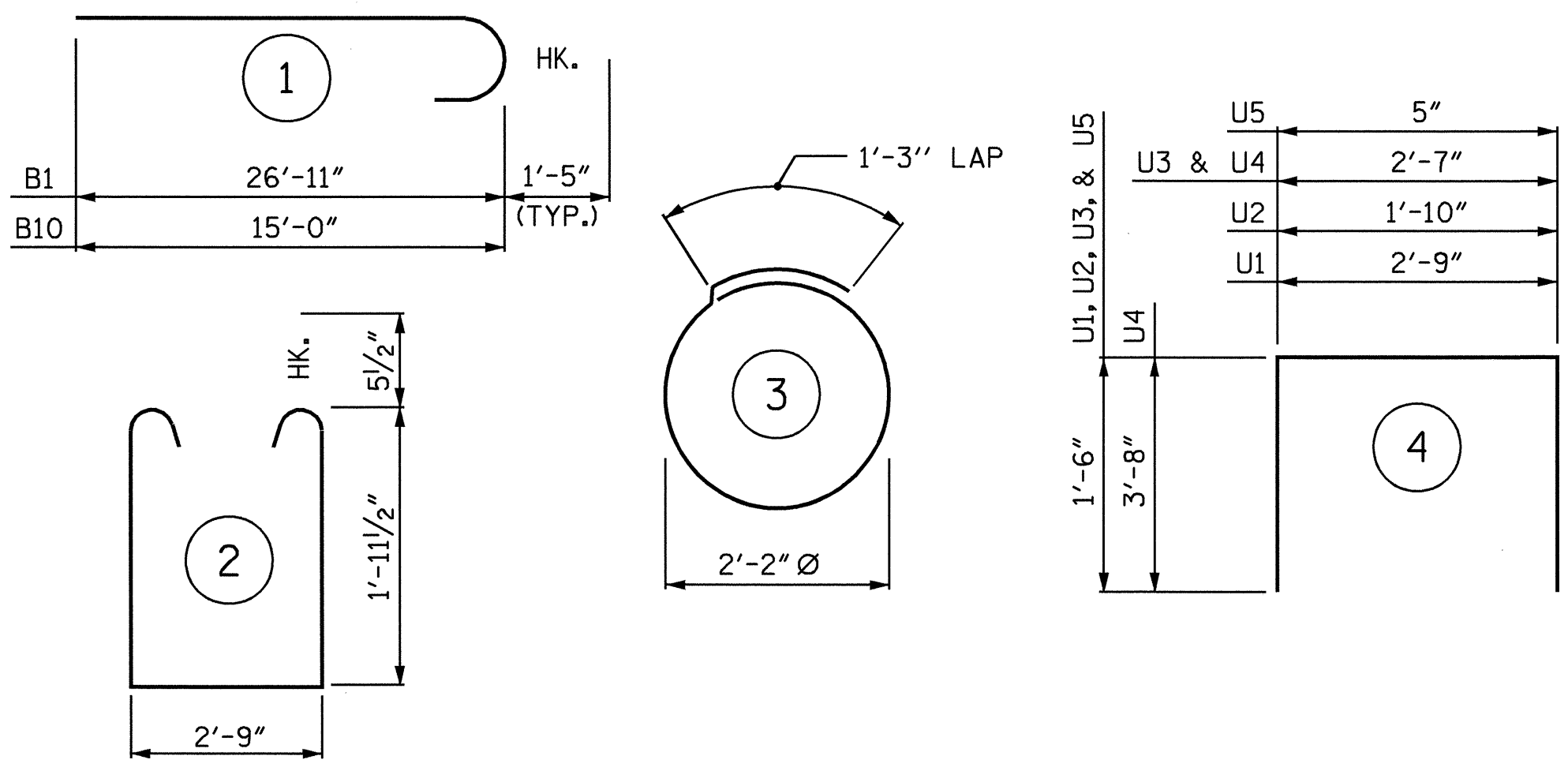


BAR TYPES



ALL BAR DIMENSIONS ARE OUT TO OUT.

BILL OF MATERIAL

BENT No. 1

STAGE 1						STAGE 2					
BAR	No.	SIZE	TYPE	LENGTH	WEIGHT	BAR	No.	SIZE	TYPE	LENGTH	WEIGHT
B1	5	10	1	28'-4"	610	B6	6	4	STR	2'-9"	11
B2	4	5	STR	26'-0"	108	B7	4	5	STR	15'-11"	66
B3	4	4	STR	26'-0"	69	B8	4	4	STR	15'-11"	43
B4	5	4	STR	17'-0"	57	B9	5	4	STR	7'-6"	25
B5	4	10	STR	27'-0"	465	B10	5	10	1	16'-5"	353
B6	8	4	STR	2'-9"	15	B11	4	10	STR	15'-0"	258
D1	32	6	STR	1'-6"	72	D1	20	6	STR	1'-6"	45
S1	24	5	2	7'-7"	190	S1	15	5	2	7'-7"	119
S2	10	4	3	8'-1"	54	S2	6	4	3	8'-1"	32
U1	11	4	4	5'-9"	42	U1	5	4	4	5'-9"	19
U2	3	4	4	4'-10"	10	U2	3	4	4	4'-10"	10
U3	2	4	4	5'-7"	7	U3	2	4	4	5'-7"	7
U4	1	9	4	9'-11"	34	U4	1	9	4	9'-11"	34
U5	4	4	4	3'-5"	9	U5	4	4	4	3'-5"	9

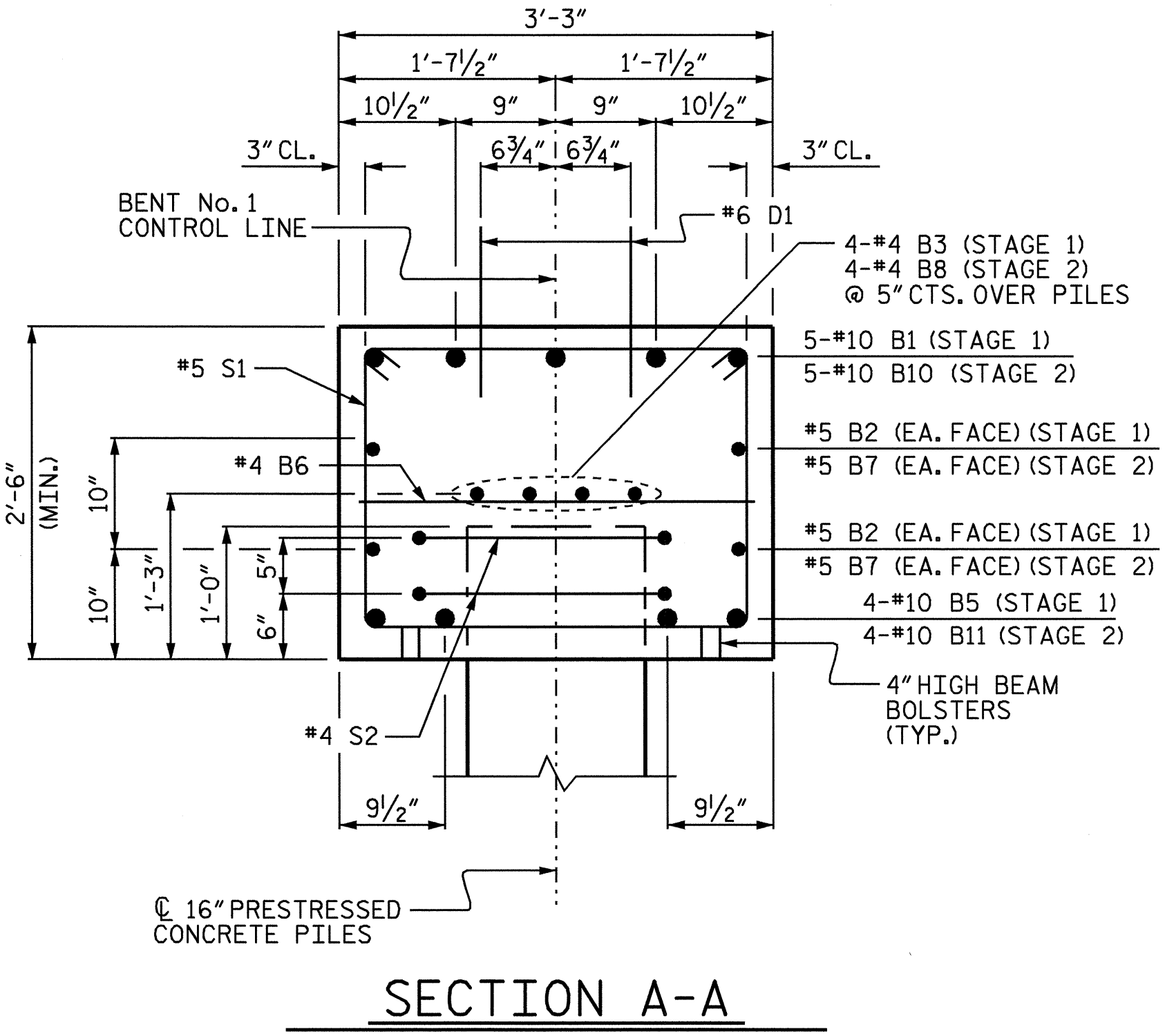
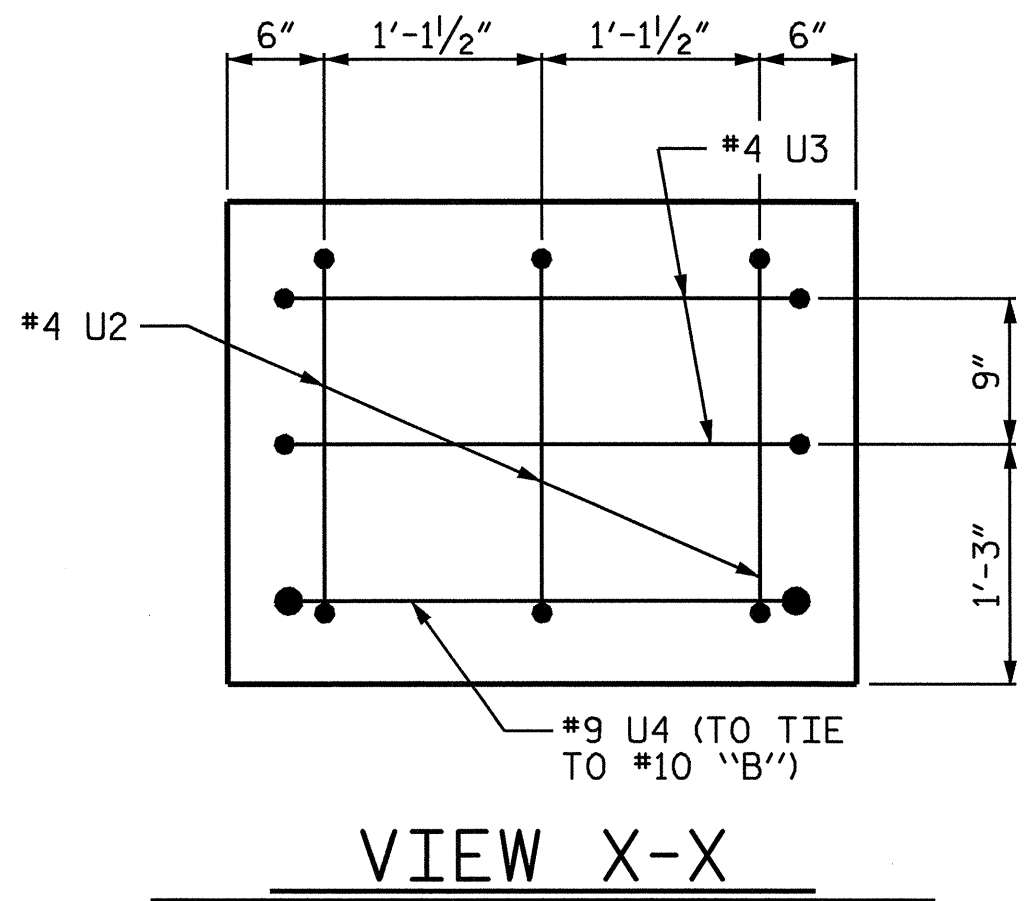
EPOXY COATED REINFORCING STEEL 1,742 LBS. EPOXY COATED REINFORCING STEEL 1,031 LBS.

CLASS AA CONCRETE BREAKDOWN		CLASS AA CONCRETE BREAKDOWN	
POUR #1 CAP	8.0 C.Y.	POUR #1 CAP	5.1 C.Y.
POUR #2 LATERAL GUIDE	0.1 C.Y.	POUR #2 LATERAL GUIDE	0.1 C.Y.
<b>TOTAL CLASS AA CONCRETE</b>	<b>8.1 C.Y.</b>	<b>TOTAL CLASS AA CONCRETE</b>	<b>5.2 C.Y.</b>

16" PRESTRESSED CONCRETE PILES No. = 5 LIN. FT. = 250.0 16" PRESTRESSED CONCRETE PILES No. = 3 LIN. FT. = 150.0

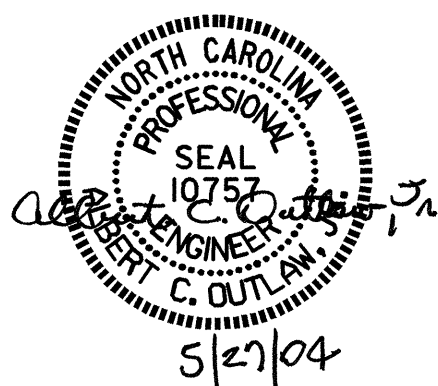
TOTAL QUANTITIES (BENT No. 1)

ITEM	STAGE 1	STAGE 2	TOTAL
EPOXY COATED REINFORCING STEEL	1,742 LBS.	1,031 LBS.	2,773 LBS.
CLASS AA CONCRETE	8.1 C.Y.	5.2 C.Y.	13.3 C.Y.
16" PRESTRESSED CONCRETE PILES	No. <u>5</u> LIN. FT. <u>250.0</u>	No. <u>3</u> LIN. FT. <u>150.0</u>	No. <u>8</u> LIN. FT. <u>400.0</u>



PROJECT NO. B-3348  
HYDE COUNTY  
STATION: 22+85.00 -L-  
SHEET 3 OF 3

STATE OF NORTH CAROLINA  
DEPARTMENT OF TRANSPORTATION  
RALEIGH  
SUBSTRUCTURE  
BENT No. 1



REVISIONS						SHEET NO.
NO.	BY:	DATE:	NO.	BY:	DATE:	S-56
1			3			TOTAL SHEETS 76
2			4			

DRAWN BY : P.C. BREWER DATE : 3/8/04  
CHECKED BY : M. BRITT DATE : 4/21/04