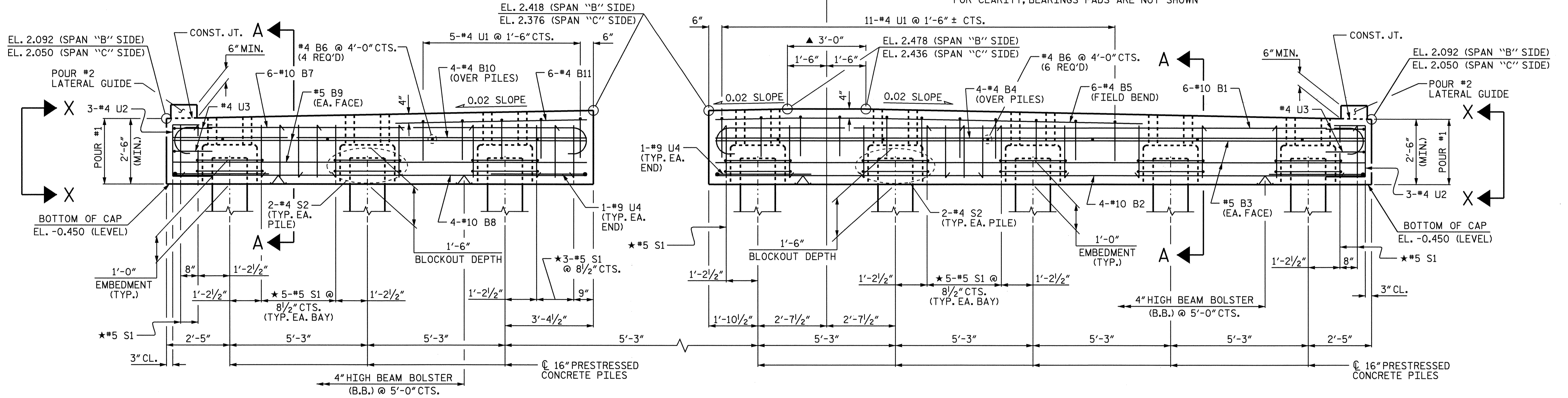


PLAN (STAGE 2)

FOR CLARITY, BEARINGS PADS ARE NOT SHOWN

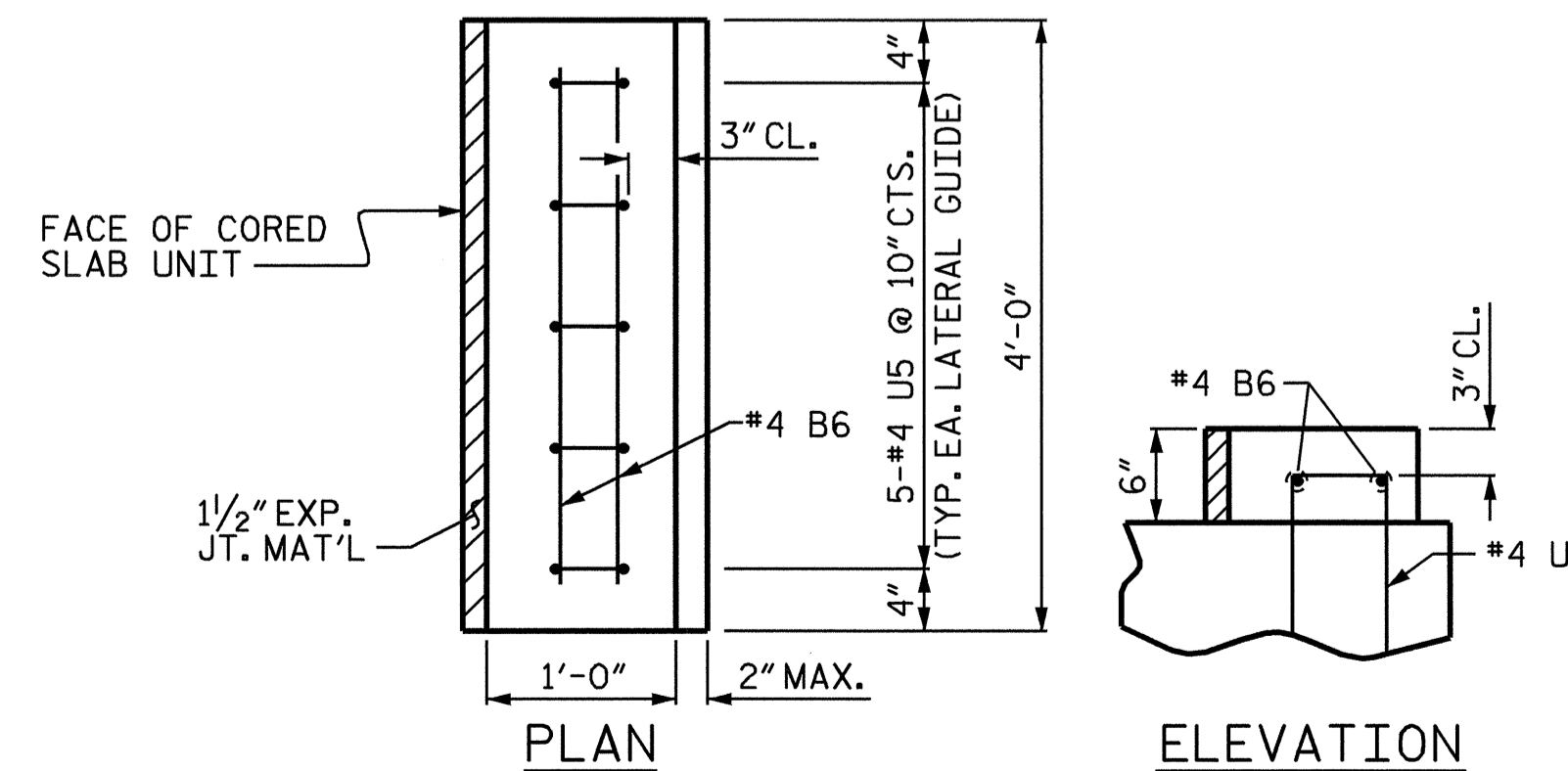
PLAN (STAGE 1)

FOR CLARITY, BEARINGS PADS ARE NOT SHOWN



ELEVATION (STAGE 2)

ELEVATION (STAGE 1)



LATERAL GUIDE DETAIL

(STAGE 1 SHOWN, STAGE 2 SIMILAR)

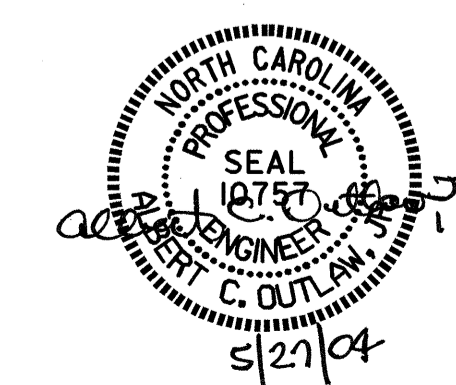
▲ THIS AREA OF THE CAP IS LEVEL IN THE TRANSVERSE DIRECTION.
 ★ INVERT ALTERNATE STIRRUPS AS SHOWN.

PROJECT NO. **B-3348**
 HYDE COUNTY
 STATION: **22+85.00 -L-**

SHEET 1 OF 2

STATE OF NORTH CAROLINA
 DEPARTMENT OF TRANSPORTATION
 RALEIGH

SUBSTRUCTURE
 BENT No. 2
 PRECAST OPTION



DRAWN BY : P.C. BREWER DATE : 5/5/04
 CHECKED BY : B.N. GRADY DATE : 5/04

27-MAY-2004 09:19
 W:\squad\b3348\str2\pbrewer\Microstation\B3348.sd.BPC2.02.dgn
 pbrewer

REVISIONS						SHEET NO.	
NO.	BY:	DATE:	NO.	BY:	DATE:	S-65	
1			3			TOTAL SHEETS	
2			4			76	

STR. #2