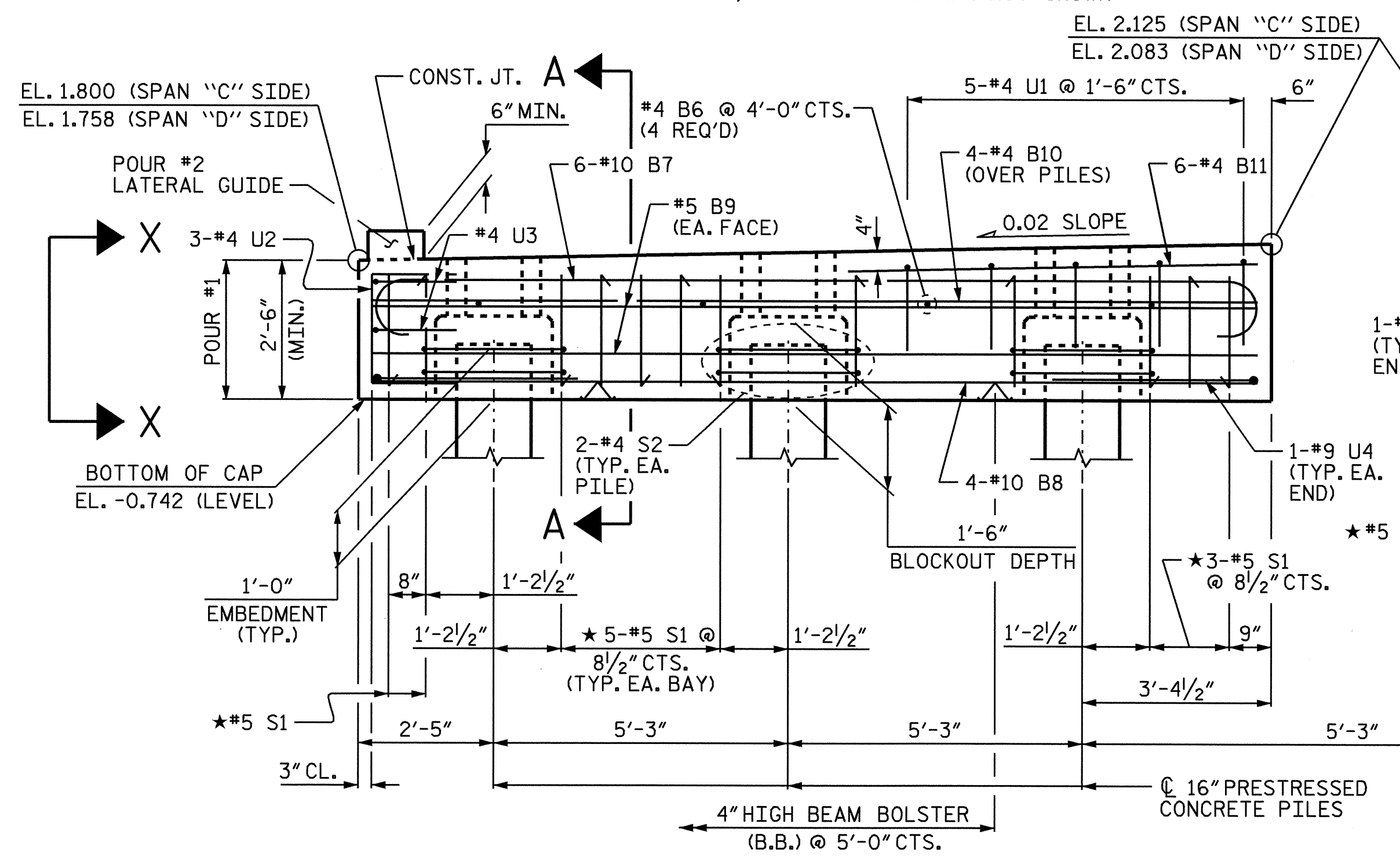
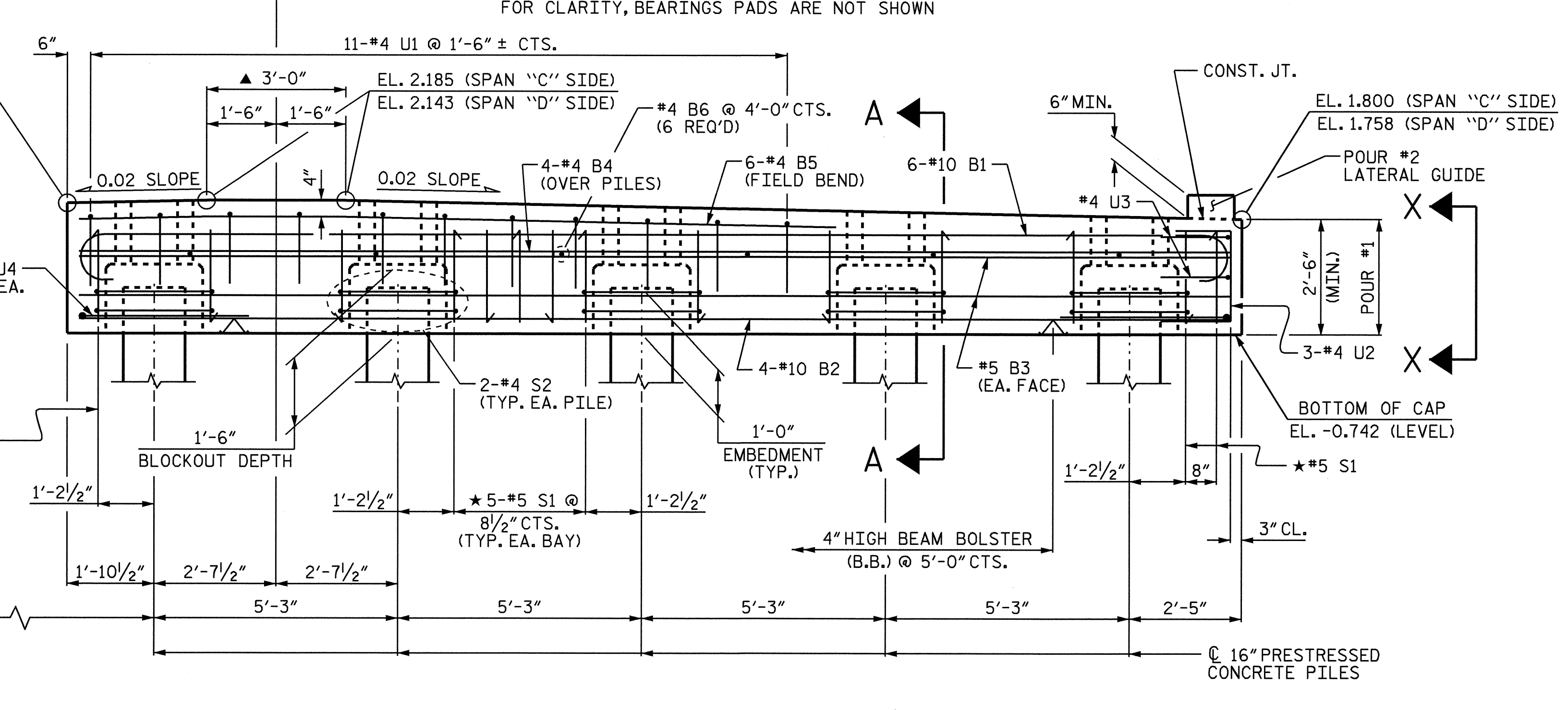


PLAN (STAGE 2)

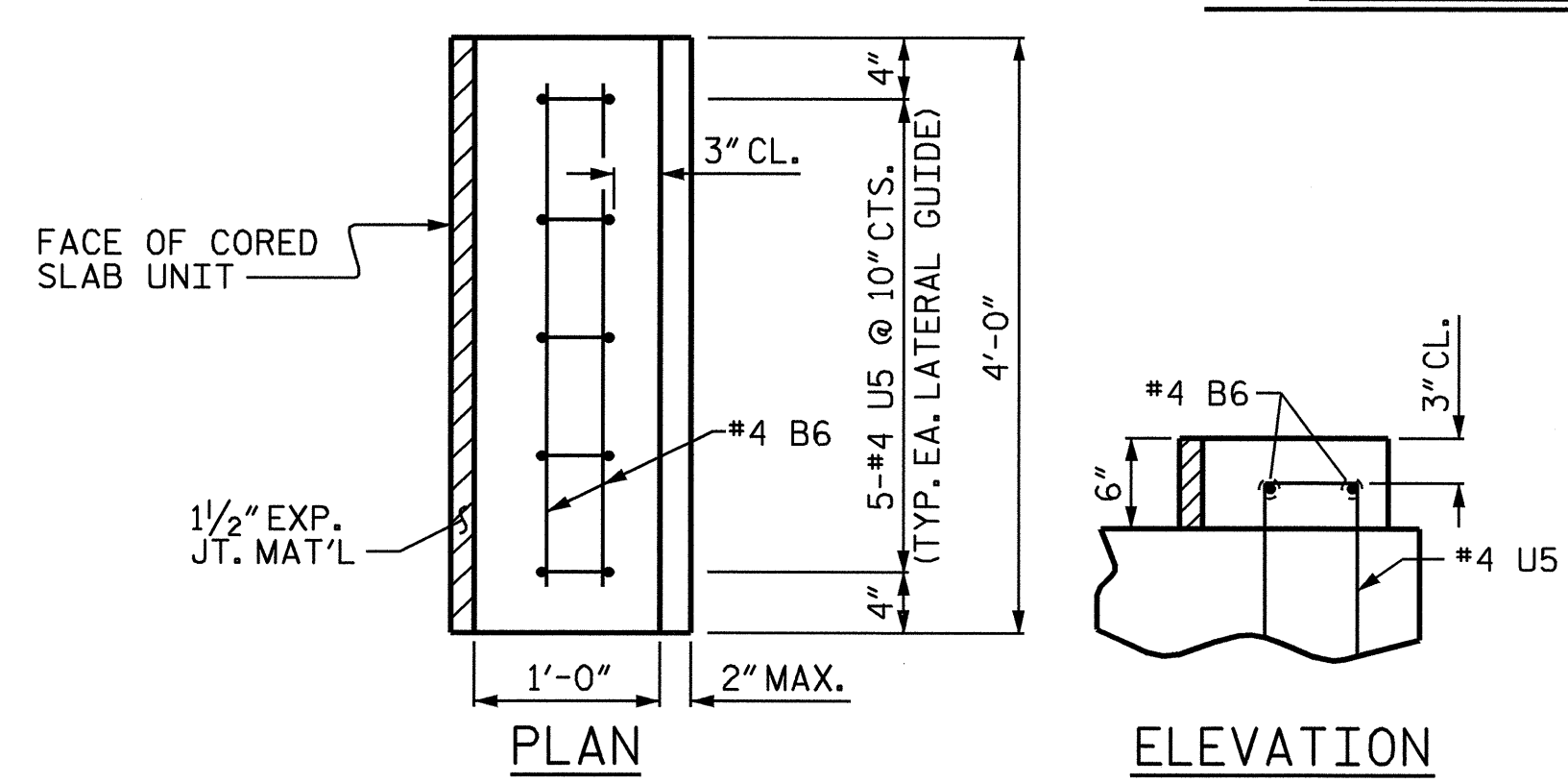
PLAN (STAGE 1)



ELEVATION (STAGE 2)



ELEVATION (STAGE 1)



LATERAL GUIDE DETAIL

(STAGE 1 SHOWN, STAGE 2 SIMILAR)

▲ THIS AREA OF THE CAP IS LEVEL IN THE TRANSVERSE DIRECTION.
 ★ INVERT ALTERNATE STIRRUPS AS SHOWN.

PROJECT NO. B-3348
 HYDE COUNTY
 STATION: 22+85.00 -L-

SHEET 1 OF 2
 STATE OF NORTH CAROLINA
 DEPARTMENT OF TRANSPORTATION
 RALEIGH
 SUBSTRUCTURE
 BENT No. 3
 PRECAST OPTION

REVISIONS						SHEET NO.	
NO.	BY:	DATE:	NO.	BY:	DATE:	S-67	
1			3			TOTAL SHEETS 76	
2			4				

DRAWN BY: P.C. BREWER DATE: 5/5/04
 CHECKED BY: B.N. GRADY DATE: 5/04

27-MAY-2004 09:20
 W:\squad\B3348\str2\pbrewer\Microstation\B3348.sd_BPC3_02.dgn
 pbrewer

