

NOTES:

AT THE CONTRACTOR'S OPTION, A PRECAST CAP MAY BE SUBSTITUTED FOR THE CAST IN PLACE BENT CAP.

STIRRUPS AND U1 BARS IN THE PRECAST CAP MAY BE SHIFTED AS NECESSARY TO CLEAR DOWELS AND GROUT PIPES.

ALL REINFORCING STEEL AND BAR SUPPORTS SHALL BE EPOXY COATED ACCORDING TO THE STANDARD SPECIFICATIONS.

THE LATERAL GUIDE AT EACH END OF THE CAP IS NOT TO BE POURED UNTIL AFTER THE CORED SLAB UNITS IN THAT STAGE ARE IN PLACE.

DOWELS SHALL BE PRESET IN THE PRECAST CAP IN THE LOCATIONS SHOWN ON THE PLANS. DRILLING AND ADHESIVE ANCHORING OF DOWELS AFTER CASTING WILL NOT BE ALLOWED.

TWO LIFTING LOOPS SHALL BE ALLOWED IN THE PRECAST CAP FOR EACH STAGE IN ACCORDANCE WITH ARTICLE 1077-10 OF THE STANDARD SPECIFICATIONS WITH THE FOLLOWING ADDITIONS. THE LIFTING LOOPS SHALL BE BURNED OFF PRIOR TO PLACING THE ELASTOMERIC BEARING PADS. THE ENDS OF THE LIFTING LOOPS TO BE BURNED OFF SHALL BE RECESSED AND GROUTED. SEE DETAIL FOR GROUTED RECESS FOR LIFTING LOOPS. GROUT SHALL BE NON-METALLIC AND NON-SHRINK ACCORDING TO THE STANDARD SPECIFICATIONS. PROPOSED DEVICES FOR LIFTING LOOPS SHALL BE DETAILED IN SHOP DRAWINGS.

TWO 4 INCH Ø GROUT PIPES SHALL BE PROVIDED AT EACH PILE BLOCKOUT. THE 4 INCH Ø GROUT PIPES SHALL BE CUT FROM SCHEDULE 40 PVC PIPE.

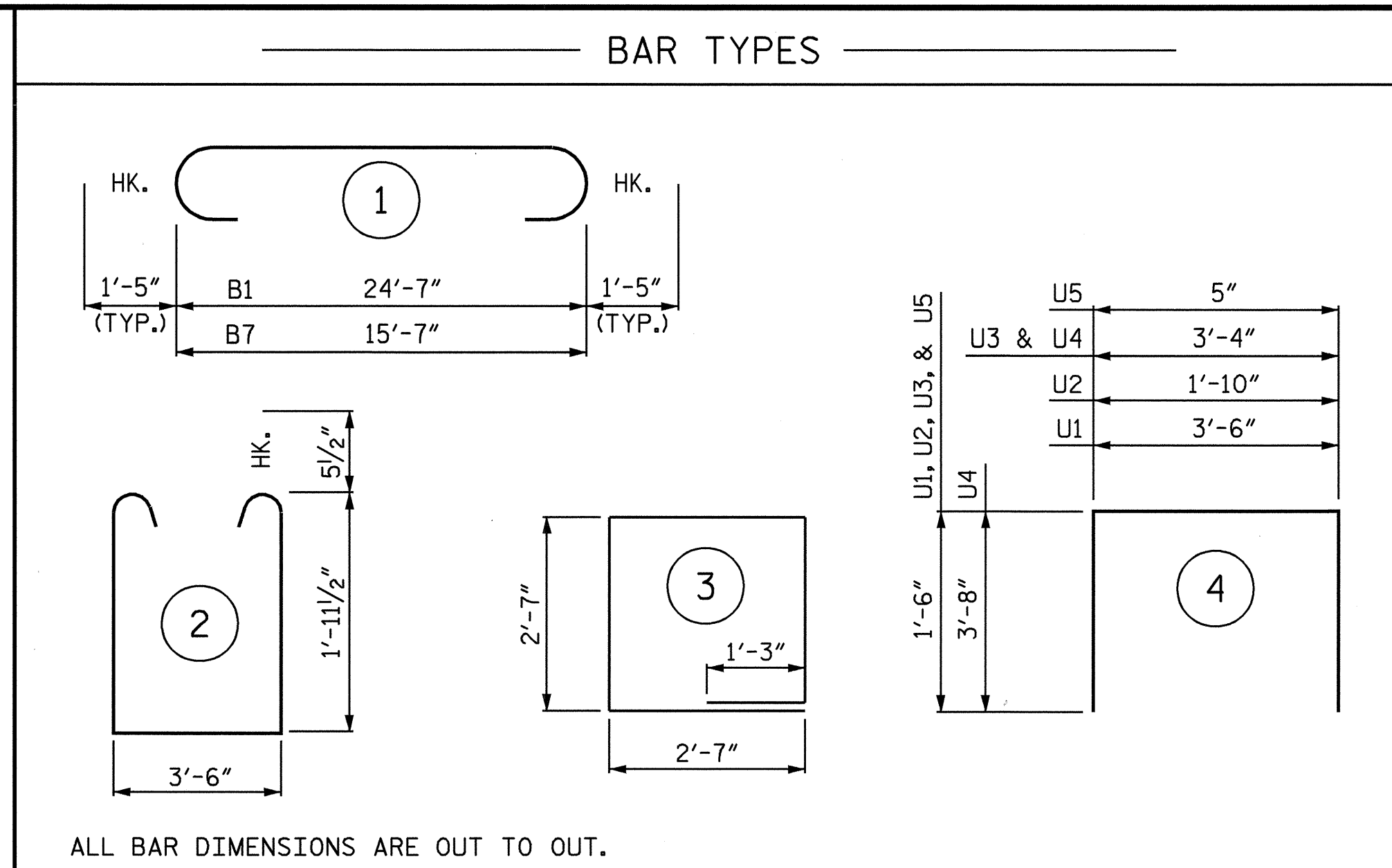
THE CONCRETE USED TO FILL THE PILE BLOCKOUTS SHALL BE CLASS AA AND MEET THE REQUIREMENTS FOR CLASS AA CONCRETE EXCEPT THE MAXIMUM SIZE COURSE AGGREGATE USED IN THE CONCRETE MIX SHALL BE #78M. THE CLASS AA BLOCKOUT CONCRETE SHALL HAVE A MINIMUM SLUMP OF 6".

CONCRETE IN THE PILE BLOCKOUTS SHALL BE VIBRATED IN ACCORDANCE WITH SECTION 420-5 OF THE STANDARD SPECIFICATIONS.

THE CONTRACTOR SHALL SUBMIT TO THE ENGINEER FOR APPROVAL A METHOD TO SUPPORT THE PRECAST CAPS IN THE PROPER LOCATION AND ELEVATION AS SHOWN ON THE PLANS PRIOR TO PLACEMENT OF AND CURING OF THE CLASS AA CONCRETE IN THE PILE BLOCKOUTS. THE METHOD CHOSEN SHALL PROVIDE A WATERTIGHT SEAL AT THE BOTTOM OF THE CAP SO NO LIVE OR FRESH CONCRETE COMES IN CONTACT WITH THE STREAM UNTIL THE CONCRETE HAS HARDENED.

CONCRETE DISPLACED BY THE 16" PRESTRESSED CONCRETE PILES HAS BEEN DEDUCTED FROM THE PILE BLOCKOUT CONCRETE QUANTITY.

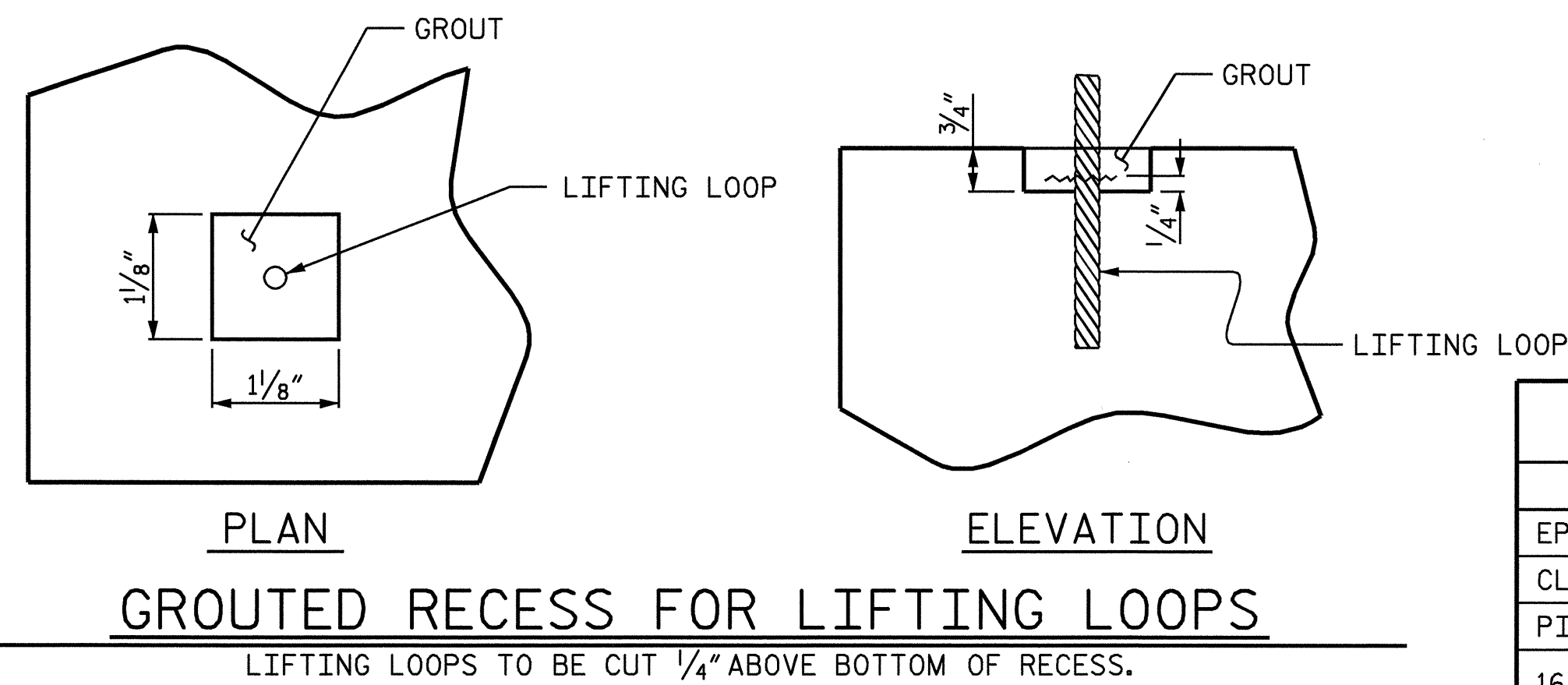
THE TOP OF THE PILE BLOCKOUT SHALL BE CHAMFERED 2" ALL AROUND.



BILL OF MATERIAL

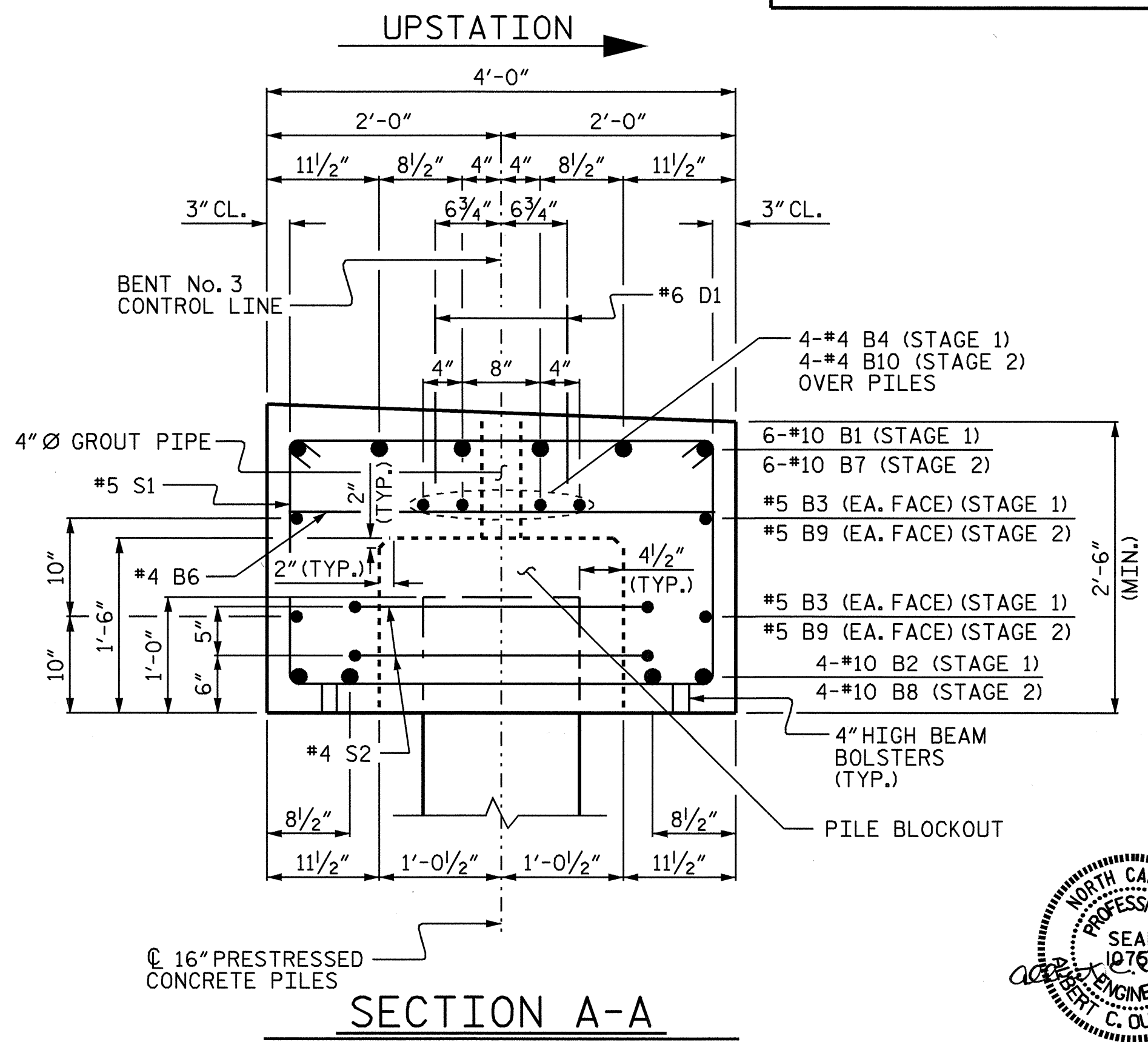
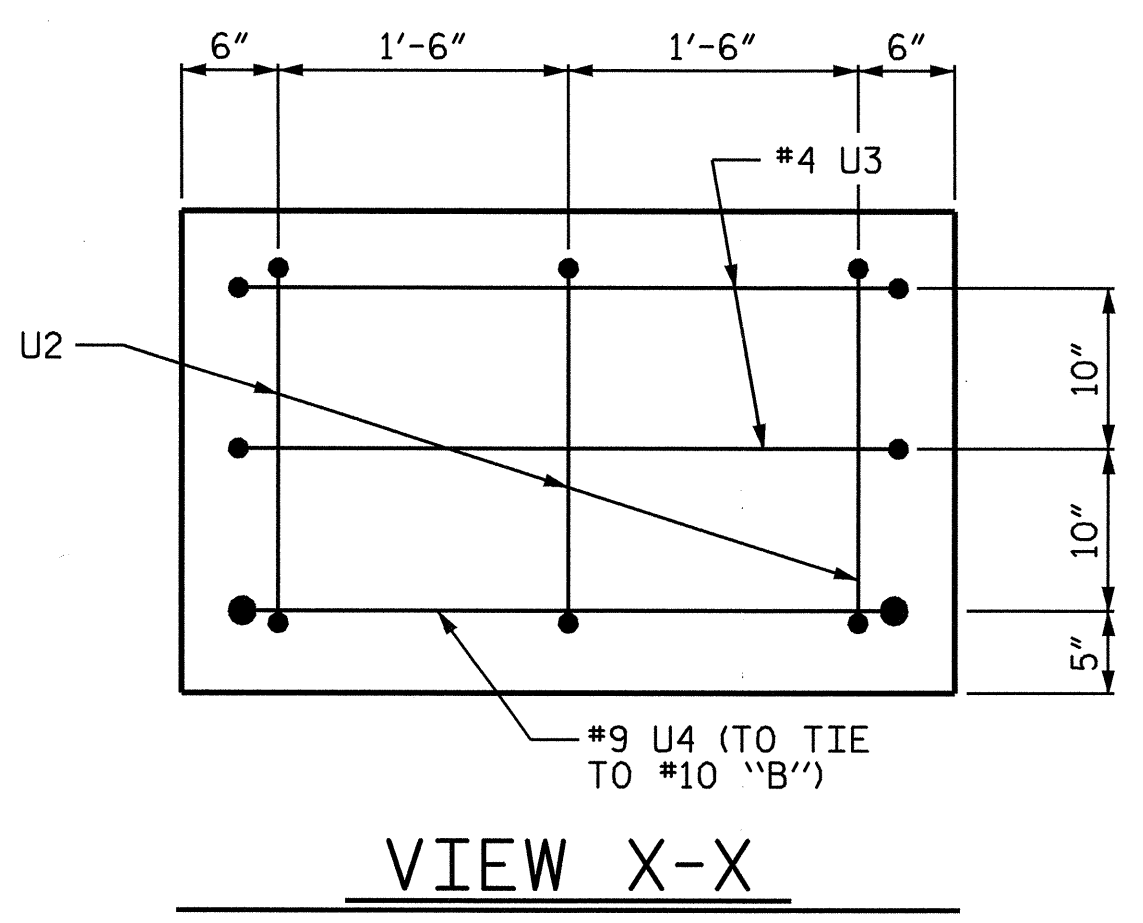
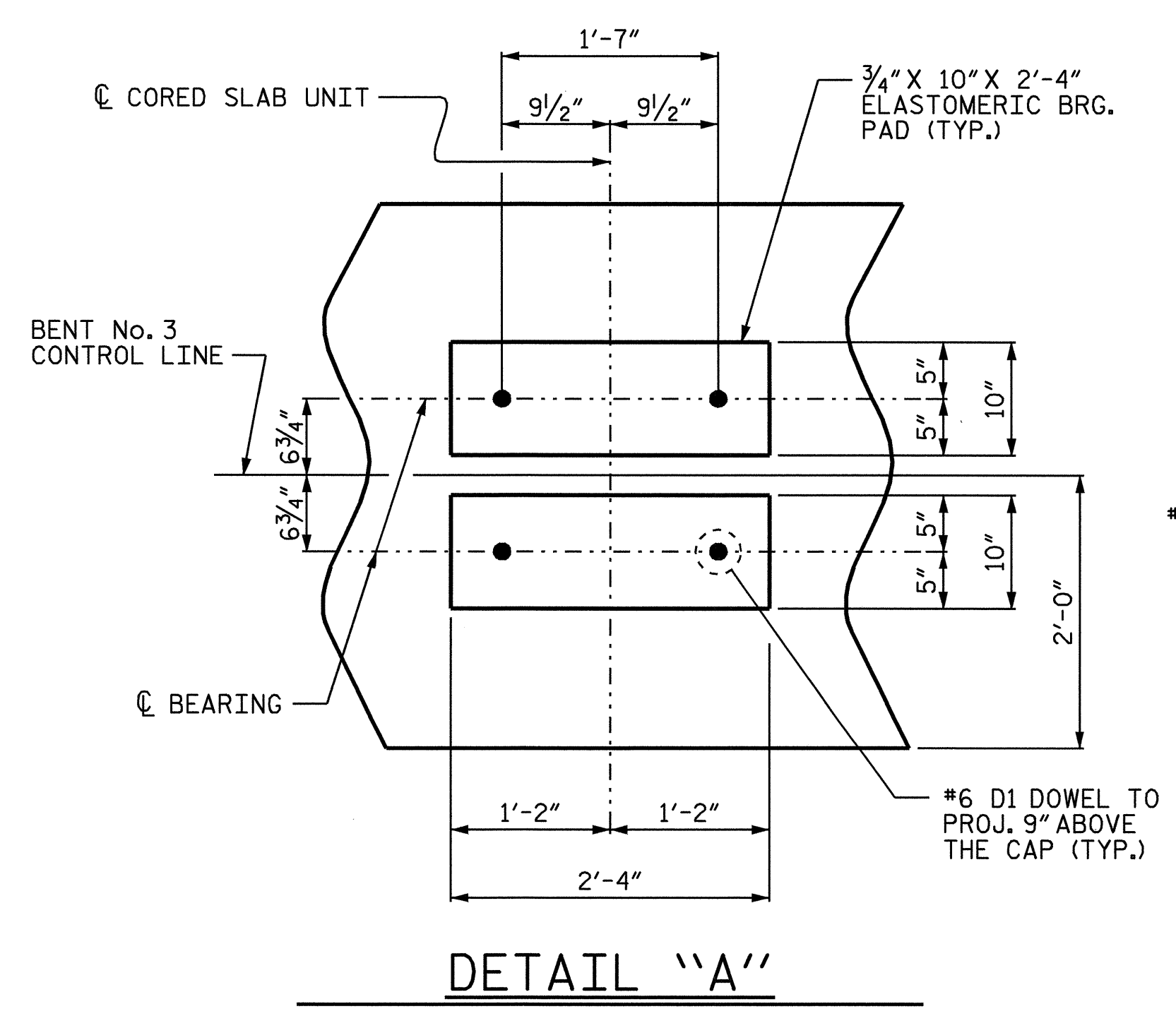
BENT No. 3

STAGE 1						STAGE 2					
BAR No.	SIZE	TYPE	LENGTH	WEIGHT		BAR No.	SIZE	TYPE	LENGTH	WEIGHT	
B1	6	10	1	27'-5"	708	B6	6	4	STR	3'-6"	14
B2	4	10	STR	24'-9"	426	B7	6	10	1	18'-5"	475
B3	4	5	STR	24'-9"	103	B8	4	10	STR	15'-9"	271
B4	4	4	STR	24'-9"	66	B9	4	5	STR	15'-9"	66
B5	6	4	STR	16'-0"	64	B10	4	4	STR	15'-9"	42
B6	8	4	STR	3'-6"	19	B11	6	4	STR	7'-6"	30
D1	32	6	STR	1'-6"	72	D1	20	6	STR	1'-6"	45
S1	23	5	2	8'-4"	200	S1	15	5	2	8'-4"	130
S2	10	4	3	11'-7"	77	S2	6	4	3	11'-7"	46
U1	11	4	4	6'-6"	48	U1	5	4	4	6'-6"	22
U2	3	4	4	4'-10"	10	U2	3	4	4	4'-10"	10
U3	2	4	4	6'-4"	8	U3	2	4	4	6'-4"	8
U4	2	9	4	10'-8"	73	U4	2	9	4	10'-8"	73
U5	5	4	4	3'-5"	11	U5	5	4	4	3'-5"	11
EPOXY COATED REINFORCING STEEL 1,885 LBS.						EPOXY COATED REINFORCING STEEL 1,243 LBS.					
CLASS AA CONCRETE BREAKDOWN						CLASS AA CONCRETE BREAKDOWN					
POUR #1 CAP 9.1 C.Y.						POUR #1 CAP 5.8 C.Y.					
POUR #2 LATERAL GUIDE 0.1 C.Y.						POUR #2 LATERAL GUIDE 0.1 C.Y.					
TOTAL CLASS AA CONCRETE 9.2 C.Y.						TOTAL CLASS AA CONCRETE 5.9 C.Y.					
PILE BLOCKOUT CONCRETE 0.9 C.Y.						PILE BLOCKOUT CONCRETE 0.5 C.Y.					
16" PRESTRESSED CONCRETE PILES No. = 5 LIN. FT. = 225.0						16" PRESTRESSED CONCRETE PILES No. = 3 LIN. FT. = 135.0					



TOTAL QUANTITIES (BENT No. 3)

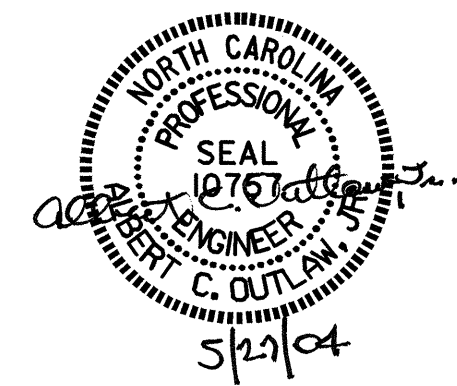
ITEM	STAGE 1	STAGE 2	TOTAL
EPOXY COATED REINFORCING STEEL	1,885 LBS.	1,243 LBS.	3,128 LBS.
CLASS AA CONCRETE	9.2 C.Y.	5.9 C.Y.	15.1 C.Y.
PILE BLOCKOUT CONCRETE	0.9 C.Y.	0.5 C.Y.	1.4 C.Y.
16" SQUARE PRESTRESSED CONCRETE PILES	No. 5 LIN. FT. 225.0	No. 3 LIN. FT. 135.0	No. 8 LIN. FT. 360.0



PROJECT NO. B-3348
HYDE COUNTY
 STATION: 22+85.00 -L-
 SHEET 2 OF 2

STATE OF NORTH CAROLINA
 DEPARTMENT OF TRANSPORTATION
 RALEIGH

SUBSTRUCTURE
 BENT No. 3
 PRECAST OPTION



DRAWN BY : P.C. BREWER DATE : 5/5/04
 CHECKED BY : B.N. GRADY DATE : 5/04

27-MAY-2004 09:20
 W:\squad\B3348\str2\pbrw\Microstation\B3348.sd.BPC3.02.dgn
 pbrw

REVISIONS						SHEET NO.	
NO.	BY:	DATE:	NO.	BY:	DATE:	S-68	
1			3			TOTAL SHEETS 76	
2			4				