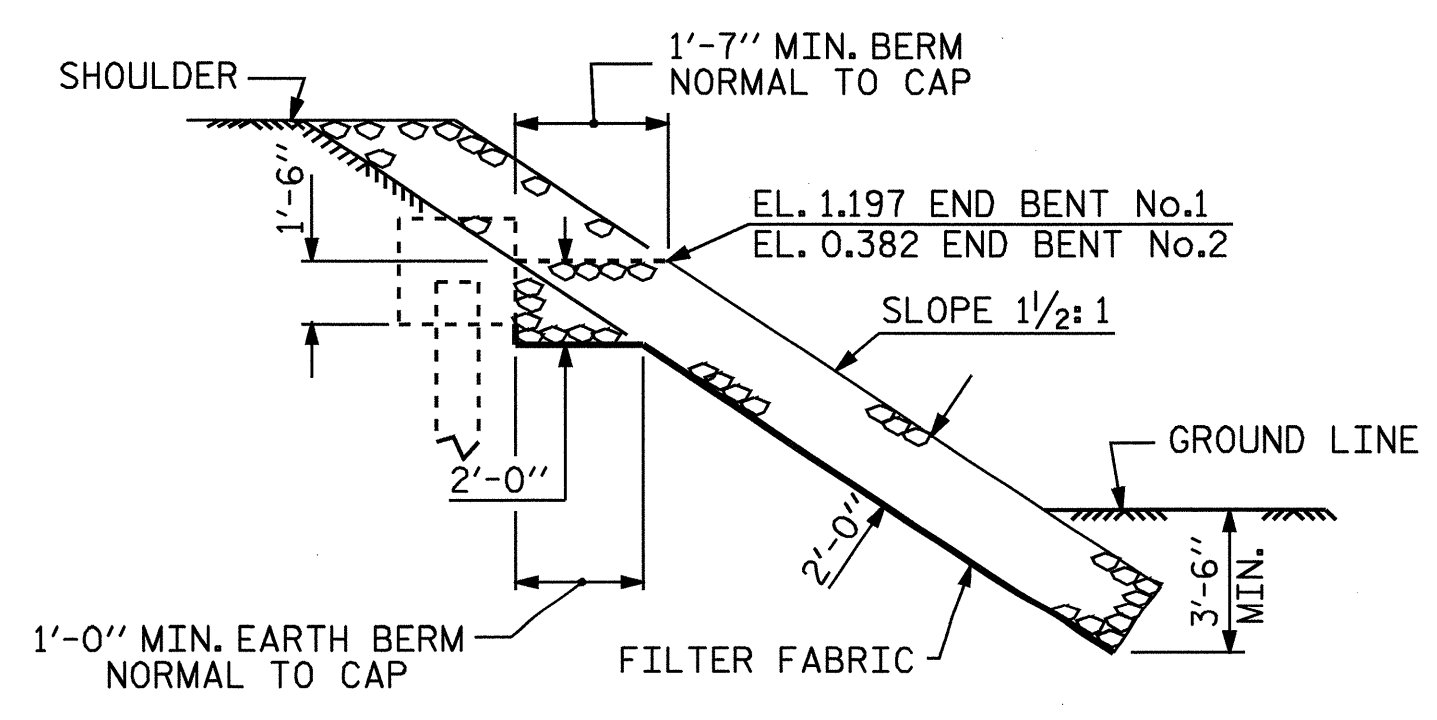


END BENT No. 1

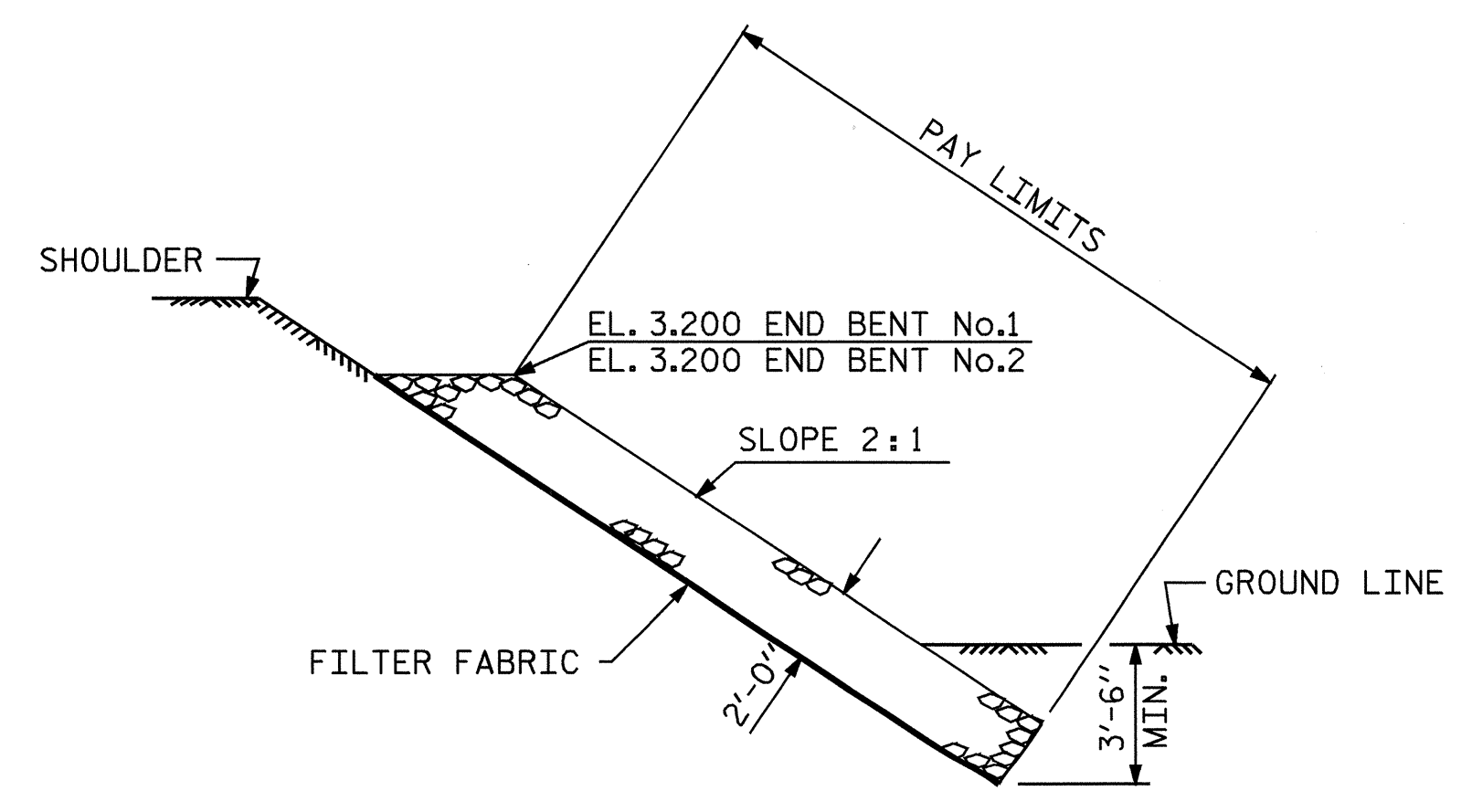
END BENT No. 2

PLAN

ESTIMATED QUANTITIES			
BRIDGE @ STA. 22+85.00 -L-	PLAIN RIP RAP CLASS B		FILTER FABRIC FOR DRAINAGE
	TONS		SQUARE YARDS
	STAGE 1	STAGE 2	
END BENT 1	46	40	96
END BENT 2	41	36	86



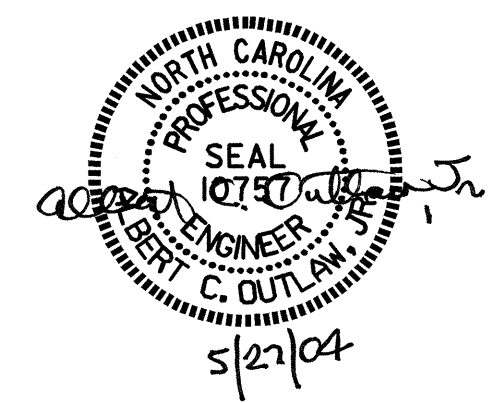
SECTION H-H



SECTION C-C

PROJECT NO. B-3348  
HYDE COUNTY  
 STATION: 22+85.00-L-

STATE OF NORTH CAROLINA  
 DEPARTMENT OF TRANSPORTATION  
 RALEIGH  
 STANDARD  
 RIP RAP DETAILS



DRAWN BY: D.L. PLATICA DATE: 2/07/03  
 CHECKED BY: S.B. WILLIAMS DATE: 5/24/04

REVISIONS						SHEET NO. S-74
NO.	BY:	DATE:	NO.	BY:	DATE:	
1			3			TOTAL SHEETS 76
2			4			