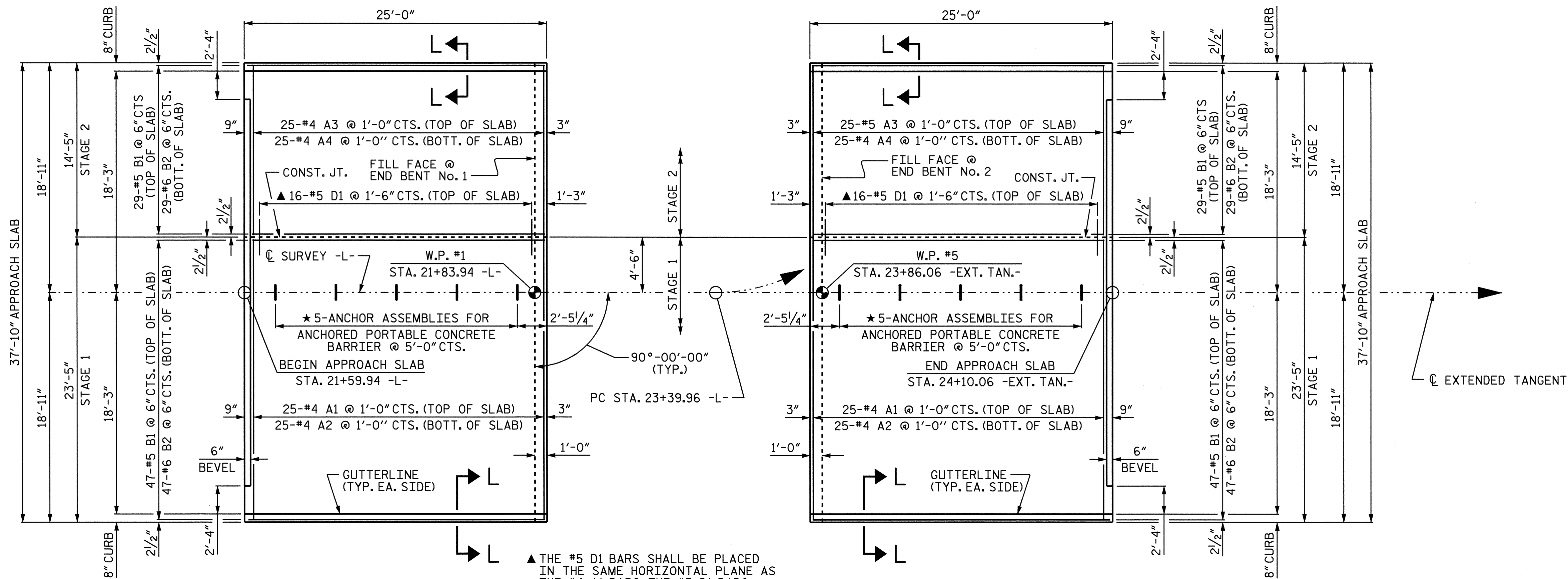


BILL OF MATERIAL

FOR ONE APPROACH SLAB (2 REQ'D) STAGE 1					
BAR NO.	NO.	SIZE	TYPE	LENGTH	WEIGHT
*A1	25	4	STR	23'-1"	385
A2	25	4	STR	23'-1"	385
*B1	47	5	STR	24'-2"	1185
B2	47	6	STR	24'-8"	1741
*D1	16	5	STR	3'-0"	50
REINFORCING STEEL					2,126 LBS.
*EPOXY COATED REINFORCING STEEL					1,620 LBS.
CLASS AA CONCRETE					22.8 C.Y.
FOR ONE APPROACH SLAB (2 REQ'D) STAGE 2					
BAR NO.	NO.	SIZE	TYPE	LENGTH	WEIGHT
*A3	25	4	STR	14'-1"	235
A4	25	4	STR	14'-1"	235
*B1	29	5	STR	24'-2"	731
B2	29	6	STR	24'-8"	1074
REINFORCING STEEL					1,309 LBS.
*EPOXY COATED REINFORCING STEEL					966 LBS.
CLASS AA CONCRETE					14.1 C.Y.

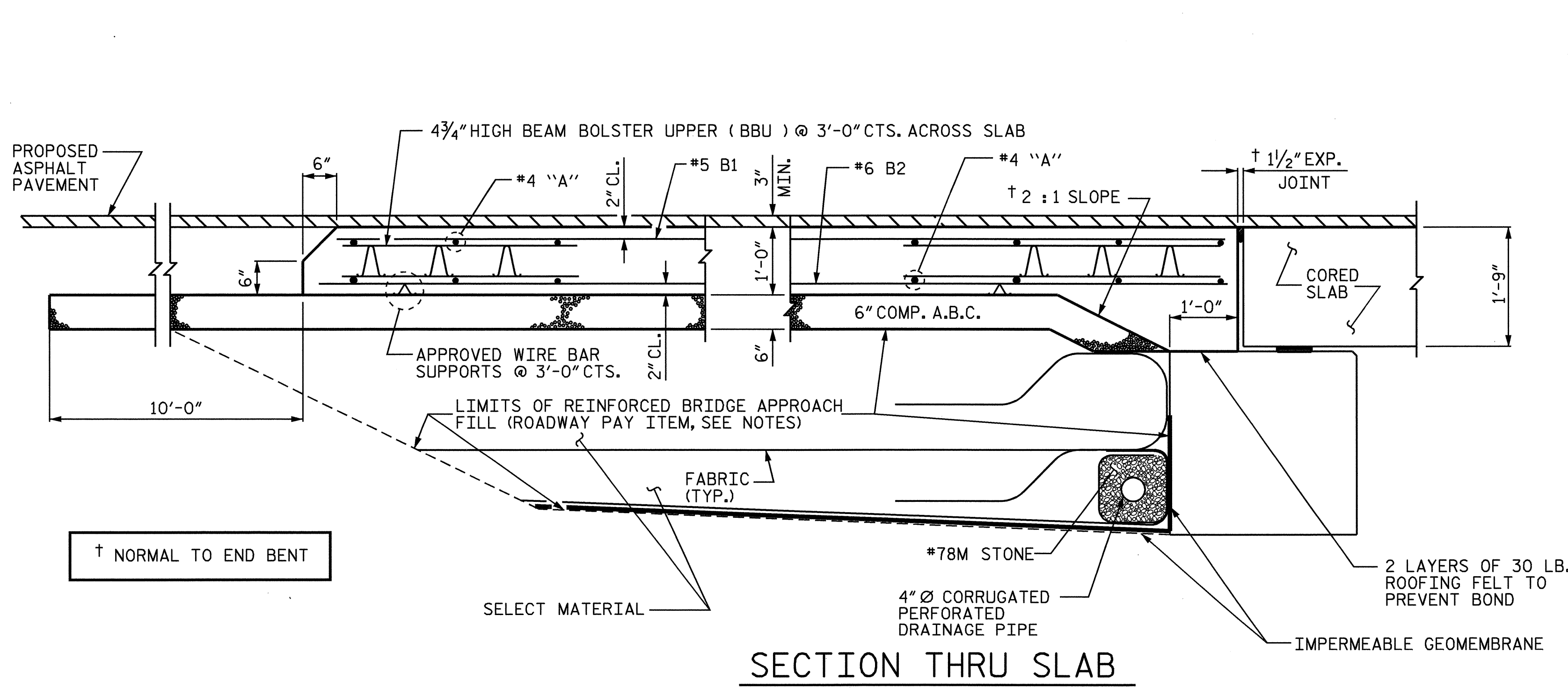


▲ THE #5 D1 BARS SHALL BE PLACED IN THE SAME HORIZONTAL PLANE AS THE #4 A1 BARS. THE #5 D1 BARS SHALL PROJECT 1'-6" INTO STAGE 2 CONSTRUCTION.

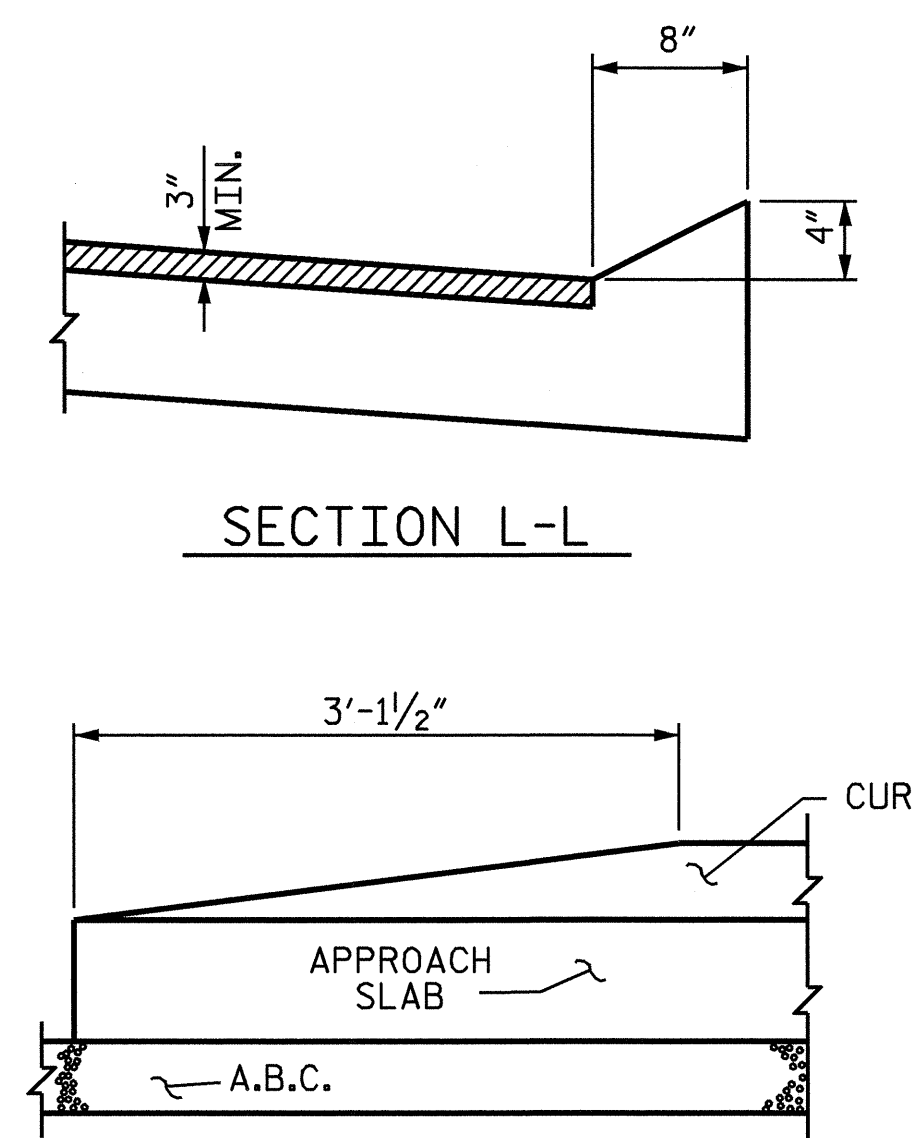
★ SEE NOTES, SHEET 2 OF 2

PLAN AT END BENT No. 1

PLAN AT END BENT No. 2

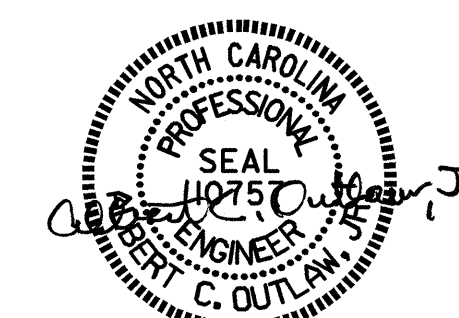


SECTION THRU SLAB



END OF CURB WITHOUT SHOULDER BERM GUTTER

CURB DETAILS



PROJECT NO. B-3348
HYDE COUNTY
 STATION: 22+85.00 -L-

SHEET 1 OF 2

STATE OF NORTH CAROLINA
 DEPARTMENT OF TRANSPORTATION
 RALEIGH
 STANDARD
 BRIDGE APPROACH SLAB
 FOR PRESTRESSED CONCRETE
 CORED SLAB

REVISIONS						SHEET NO.
NO.	BY:	DATE:	NO.	BY:	DATE:	S-75
1			3			TOTAL SHEETS
2			4			76

DRAWN BY: P.C. BREWER DATE: 2/16/04
 CHECKED BY: S.B. WILLIAMS DATE: 4/14/04