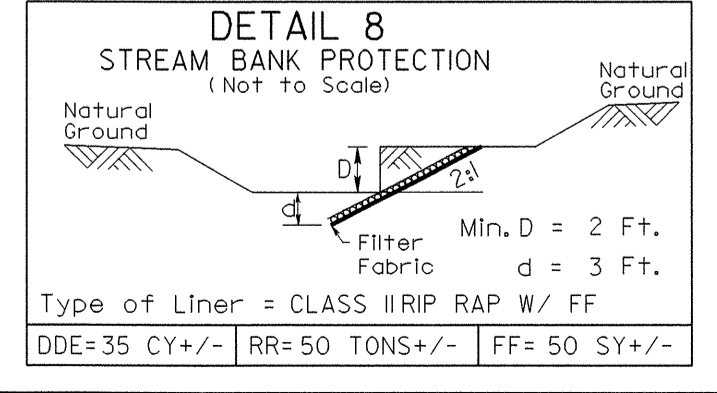
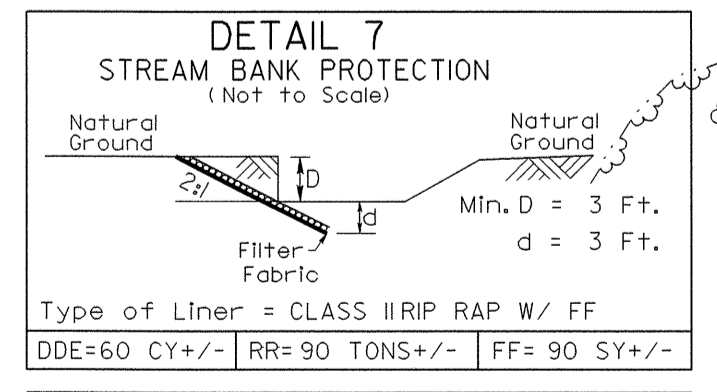
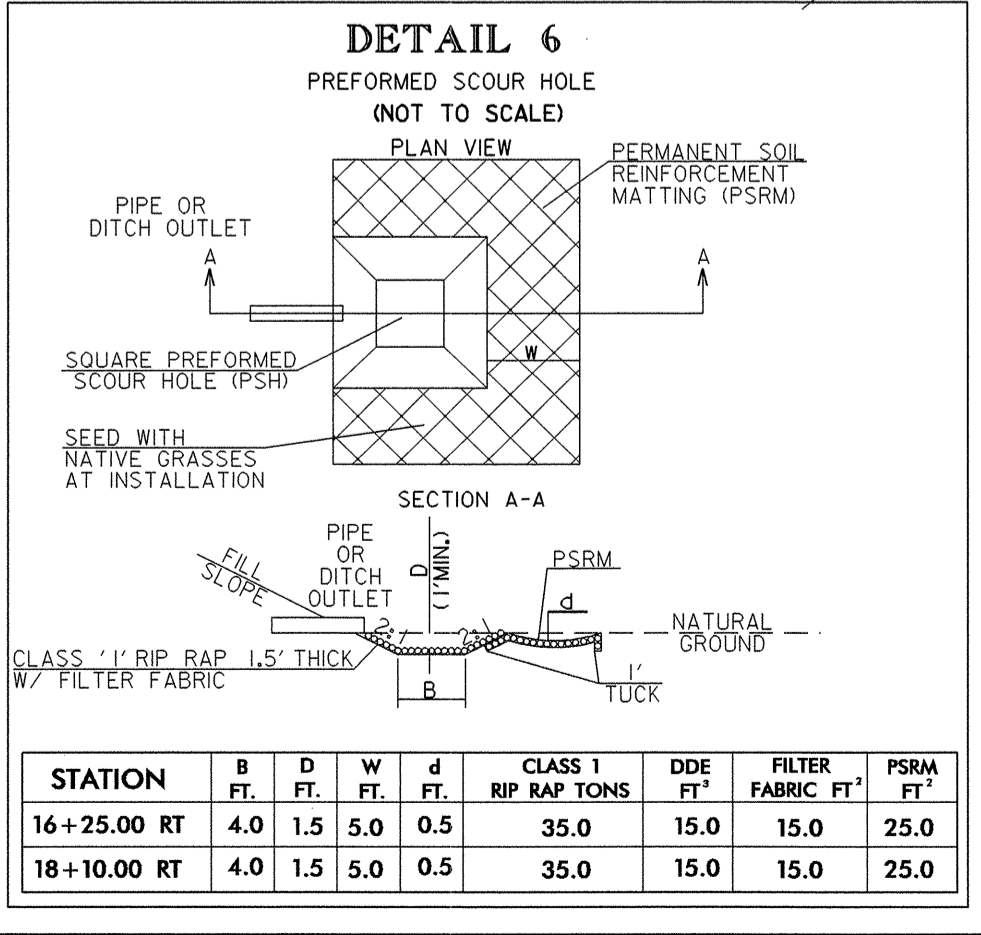
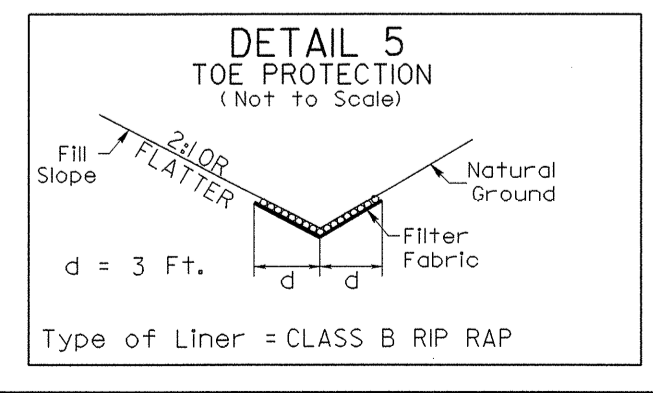
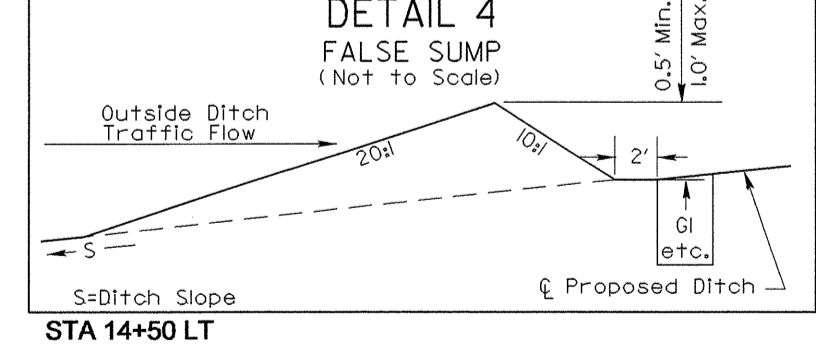
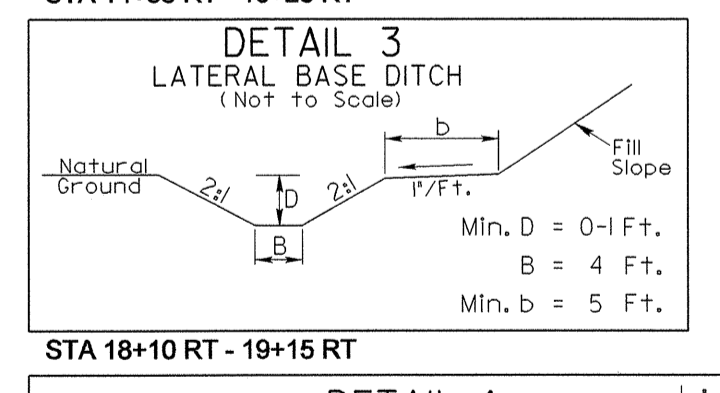
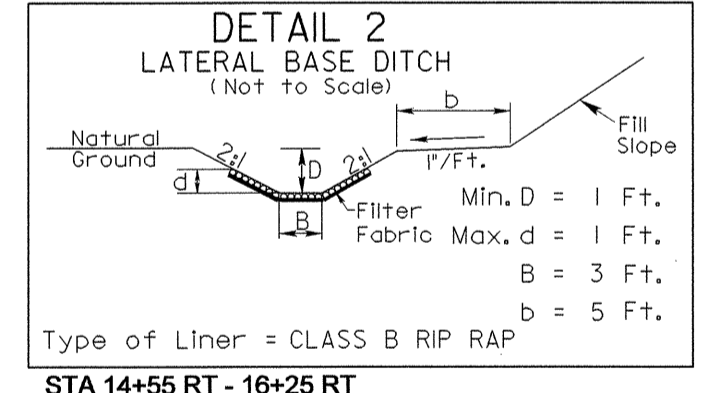
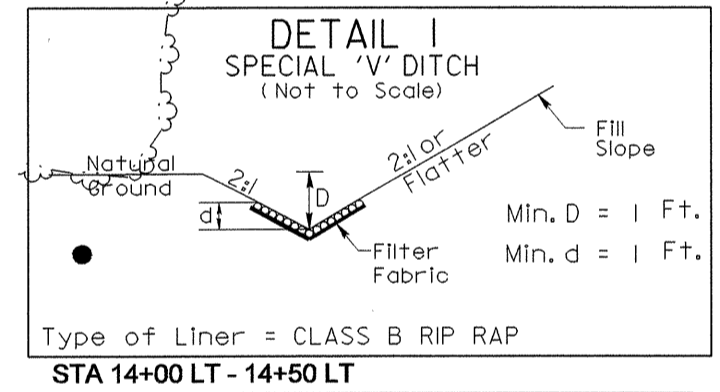
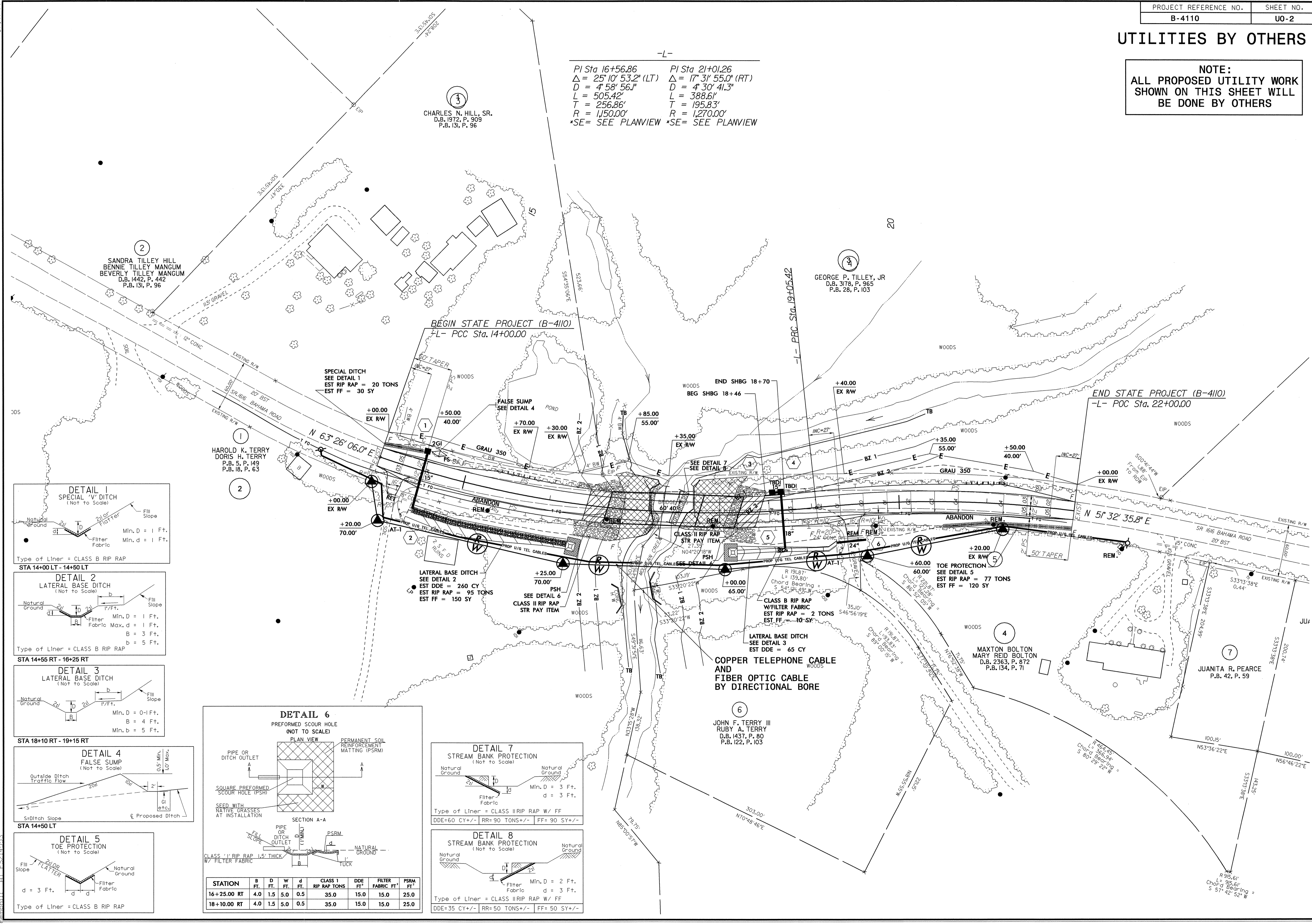


UTILITIES BY OTHERS

NOTE:  
ALL PROPOSED UTILITY WORK  
SHOWN ON THIS SHEET WILL  
BE DONE BY OTHERS

-L-  
PI Sta 16+56.86 Δ = 25° 10' 53.2" (LT) D = 4' 58' 56.1" L = 505.42' T = 256.86' R = 1,150.00' \*SE= SEE PLANVIEW  
PI Sta 21+01.26 Δ = 17° 31' 55.0" (RT) D = 4' 30' 41.3" L = 388.61' T = 195.83' R = 1,270.00' \*SE= SEE PLANVIEW



5/14/99  
03-JAN-2006 15:32  
r:\utilities\ar-du\4110\4110-ut\_4\_uo2\_psh.dgn  
bohphil1 PS-Occ34dtbond