

BAHAMA ROAD ***

ROAD CLOSED
W20-3
48" X 48"

NEXT LEFT
SP-4L
42" X 12"

STOP
RI-1
48" X 48"

BAHAMA ROAD ***

ROAD CLOSED
W20-3
48" X 48"

NEXT RIGHT
SP-4L
42" X 12"

ROAD CLOSED AHEAD
W3-3
48" X 48"

BAHAMA ROAD ***

ROAD CLOSED AHEAD
W20-3
48" X 48"

WORK SITE

DRIVEWAY TO PARCEL NO. 1

DRIVEWAY TO HOUSING AREA

BRIDGE NO. 6 SEE PROJECT NOTE "V"

NOTE: PLACE STOPBARS ONLY (P4). REST OF PAVEMENT MARKINGS ARE EXISTING. MAY BE RE-STRIPED (POLYUREA) AND PERMANENT RAISED MARKERS INSTALLED AS DIRECTED BY THE ENGINEER.

BAHAMA ROAD ***

END DETOUR
M4-8 A
24" X 18"
SIGN (D)

BAHAMA ROAD ***

DETOUR
M4-8
24" X 12"

←
M6-1
21" X 15"
SIGN (A)

BAHAMA ROAD ***

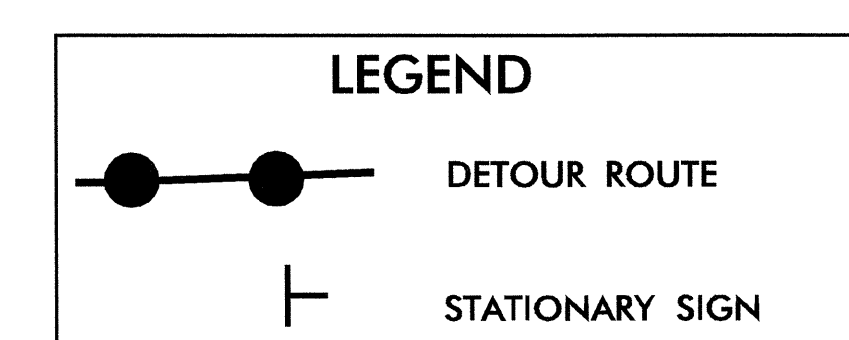
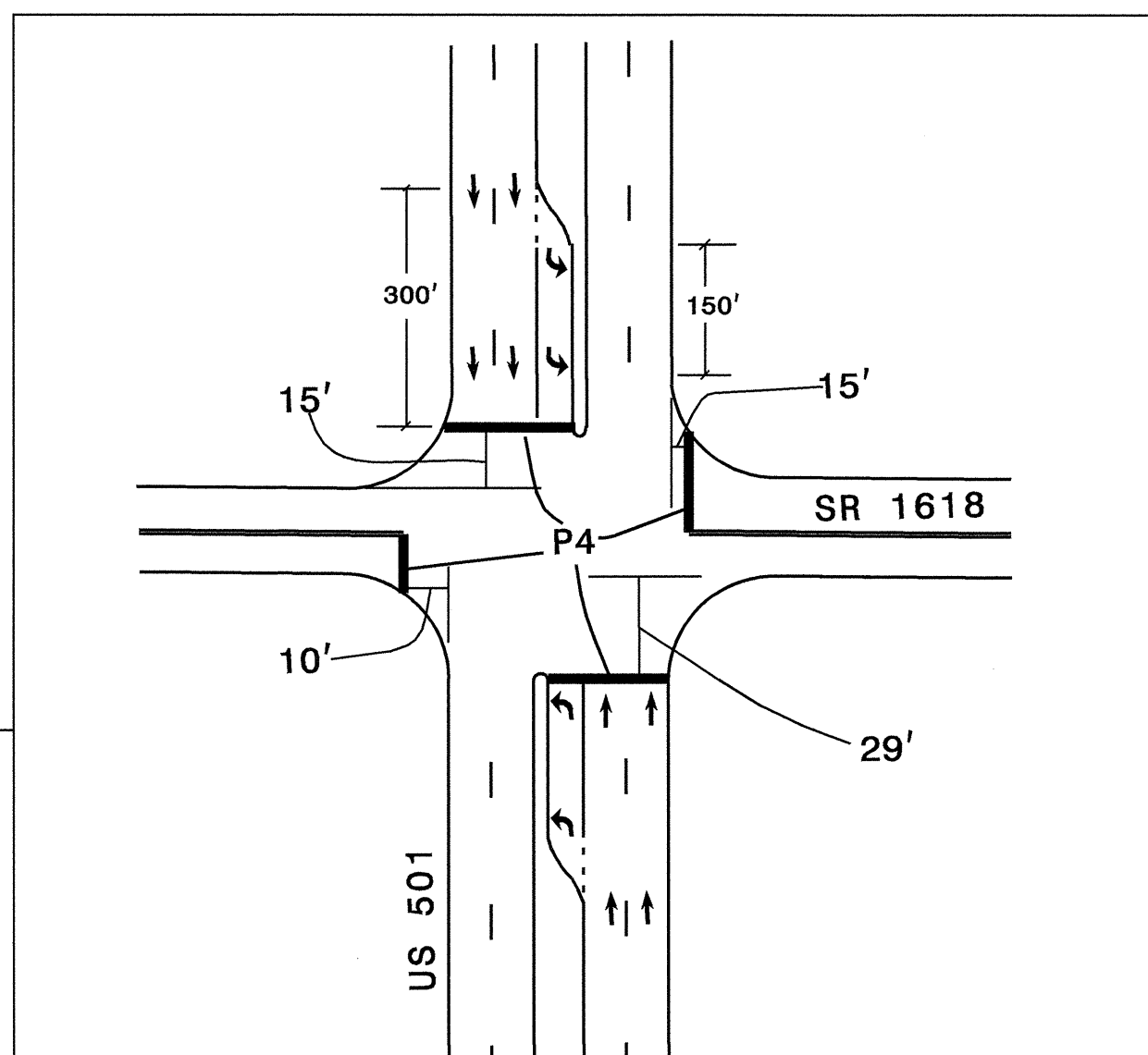
DETOUR
M4-8
24" X 12"

→
M6-1
21" X 15"
SIGN (B)

BAHAMA ROAD ***

DETOUR
M4-8
24" X 12"

↑
M6-3
21" X 15"
SIGN (C)



NOTES

- ALL DETOUR SIGNS ARE BLACK ON ORANGE UNLESS OTHERWISE NOTED.
- ALL DETOUR SIGN LOCATIONS ARE APPROXIMATE.
- * SEE ROADWAY STANDARD DRAWING NO. 1101.03, SHEET 1 OF 9, FOR ADDITIONAL WORK ZONE SIGNS MOUNTED ON TYPE III BARRICADES AND FOR ADDITIONAL WORK ZONE SIGNS ON BAHAMA ROAD.
- ** SEE ROADWAY STANDARD DRAWING NO. 1101.03, SHEET 2 OF 9, FOR SIGNS MOUNTED ON TYPE III BARRICADES AND WORK ZONE SIGN LOCATIONS ON US 501 AND BAHAMA ROAD.
- *** SEE SHEET TCP-4 FOR SIGN DESIGN.

APPROVED: <i>[Signature]</i> DATE: 20 DEC 05	OFF SITE DETOUR & PAVEMENT MARKINGS FOR TEMPORARY SIGNAL									
	SCALE: NONE	<table border="1"> <tr> <th colspan="2">REVISIONS</th> </tr> <tr> <td> </td> <td> </td> </tr> <tr> <td> </td> <td> </td> </tr> <tr> <td> </td> <td> </td> </tr> </table>	REVISIONS							
	REVISIONS									
DATE: 12/05										
DWG. BY: MW										
DESIGN BY: MW										
REVIEWED BY: JWG	CADD FILE									

20-DEC-2005 07:34
 \\lets-cctfso3\B410\trgfflic\trf\control\top\B-4110-rc-top-top03.dgn
 mwashaya AT WZTC22468