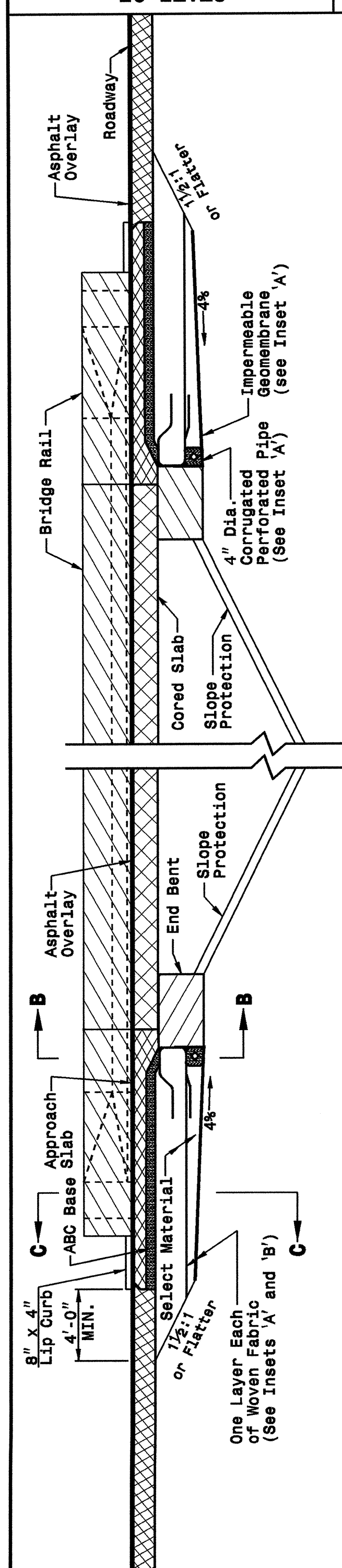


29-SEP-2005 10:11 SA:\Contracts\02stds\stds\02stds to Special Details\english\422d10\0422d10.dgn
 .pctwd
 .pctwd
 .pctwd

STATE OF NORTH CAROLINA
DEPT. OF TRANSPORTATION
DIVISION OF HIGHWAYS
RALEIGH, N.C.



ENGLISH DETAIL DRAWING FOR
REINFORCED BRIDGE APPROACH FILLS
CORED SLAB BRIDGES
15' MINIMUM APPROACH SLAB

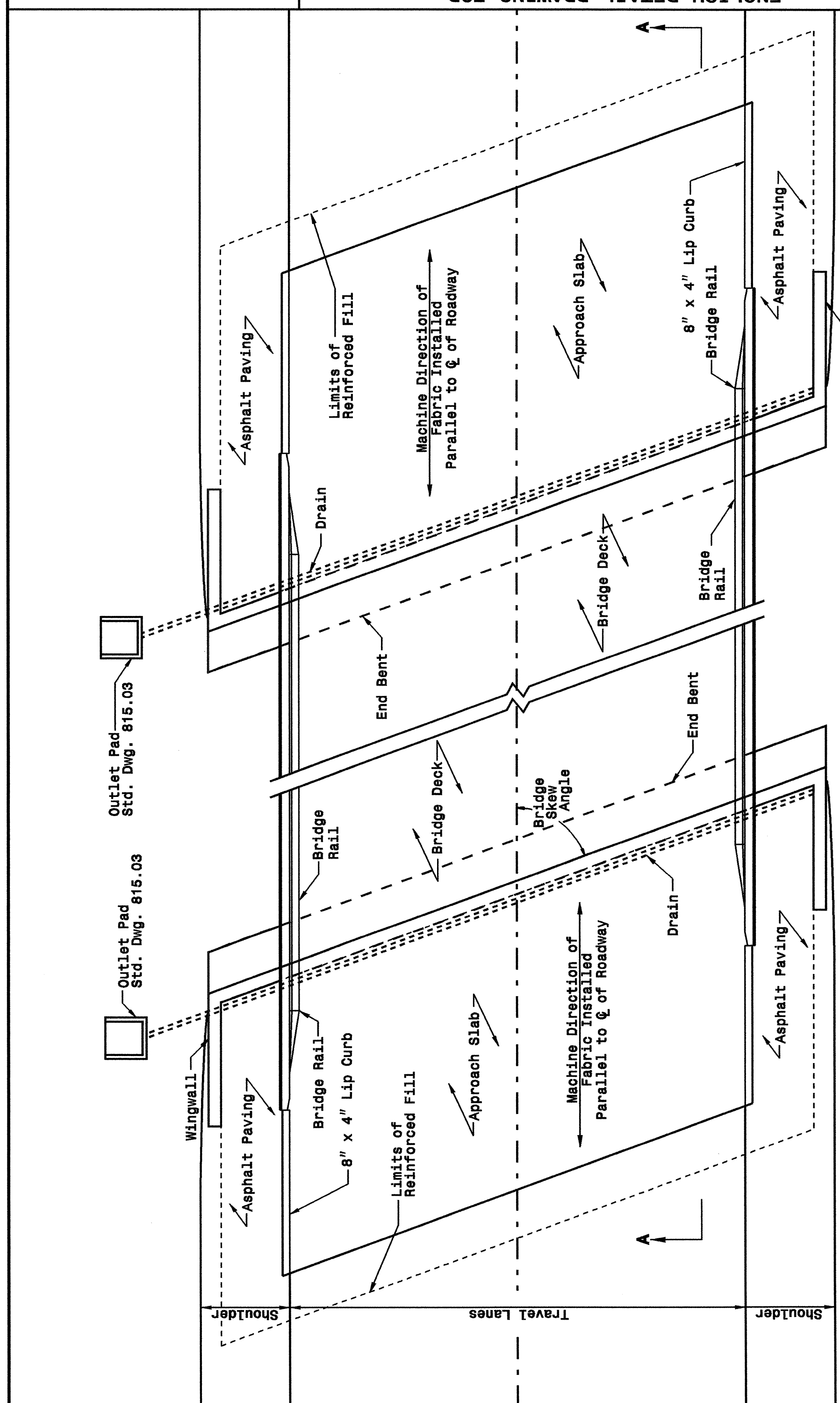
STATE OF NORTH CAROLINA
DEPT. OF TRANSPORTATION
DIVISION OF HIGHWAYS
RALEIGH, N.C.

ENGLISH DETAIL DRAWING FOR
REINFORCED BRIDGE APPROACH FILLS
CORED SLAB BRIDGES
15' MINIMUM APPROACH SLAB

SHEET 3 OF 7
422D10

SHEET 3 OF 7
422D10

STATE OF NORTH CAROLINA
DEPT. OF TRANSPORTATION
DIVISION OF HIGHWAYS
RALEIGH, N.C.



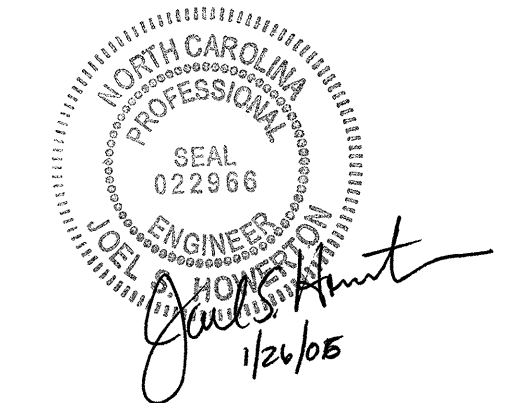
ENGLISH DETAIL DRAWING FOR
REINFORCED BRIDGE APPROACH FILLS
25' MINIMUM APPROACH SLAB

STATE OF NORTH CAROLINA
DEPT. OF TRANSPORTATION
DIVISION OF HIGHWAYS
RALEIGH, N.C.

ENGLISH DETAIL DRAWING FOR
REINFORCED BRIDGE APPROACH FILLS
25' MINIMUM APPROACH SLAB

SHEET 4 OF 7
422D10

SHEET 4 OF 7
422D10



PROJECT SERVICES UNIT
STANDARDS AND SPECIAL DESIGN
Office 919-250-4128 FAX 919-250-4119

SEE PLATE FOR TITLE

ORIGINAL BY: 2002 STANDARDS DATE: 01-15-02
 MODIFIED BY: E.E. WARD DATE: 09-28-05
 CHECKED BY: DATE:
 FILE SPEC.: stds/02stdstodetails/english/422d10.dgn