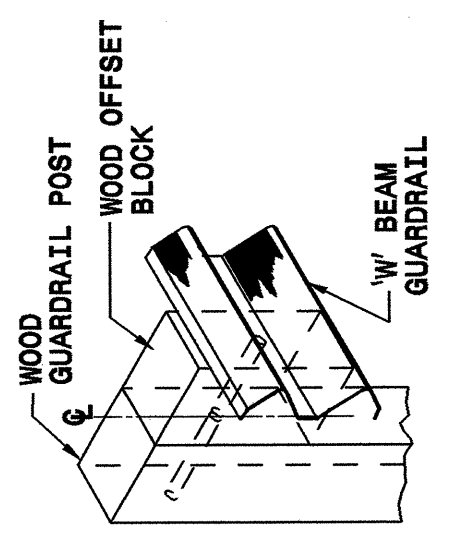
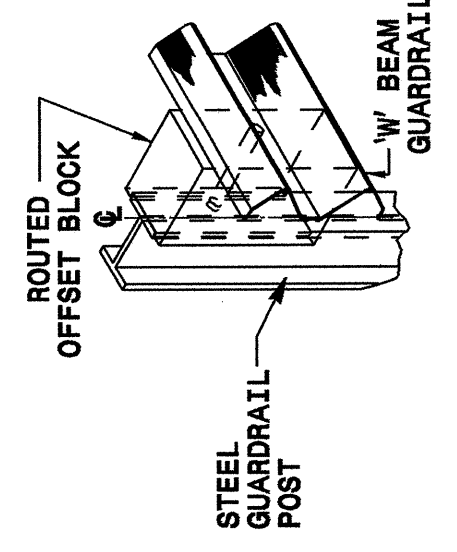
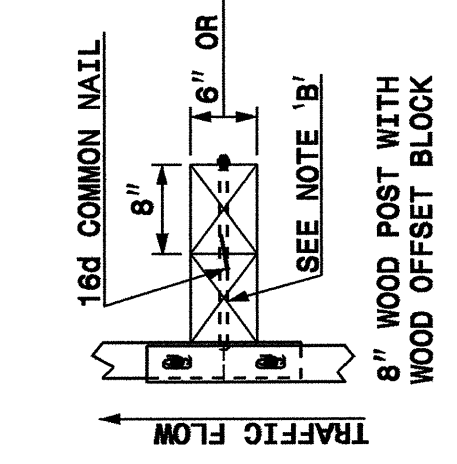
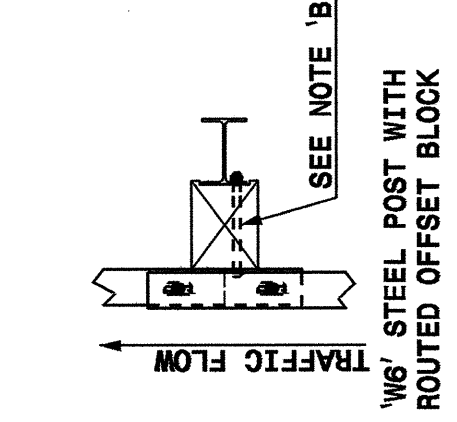
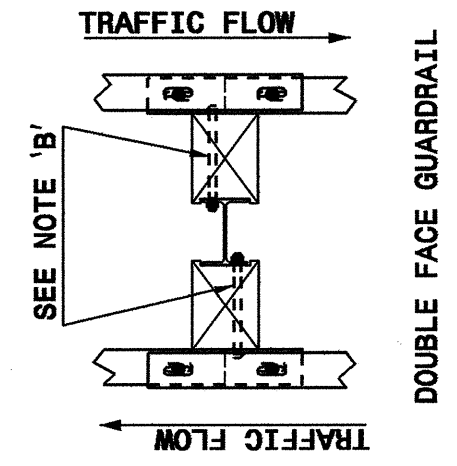


STATE OF NORTH CAROLINA DEPT. OF TRANSPORTATION DIVISION OF HIGHWAYS RALEIGH, N.C.

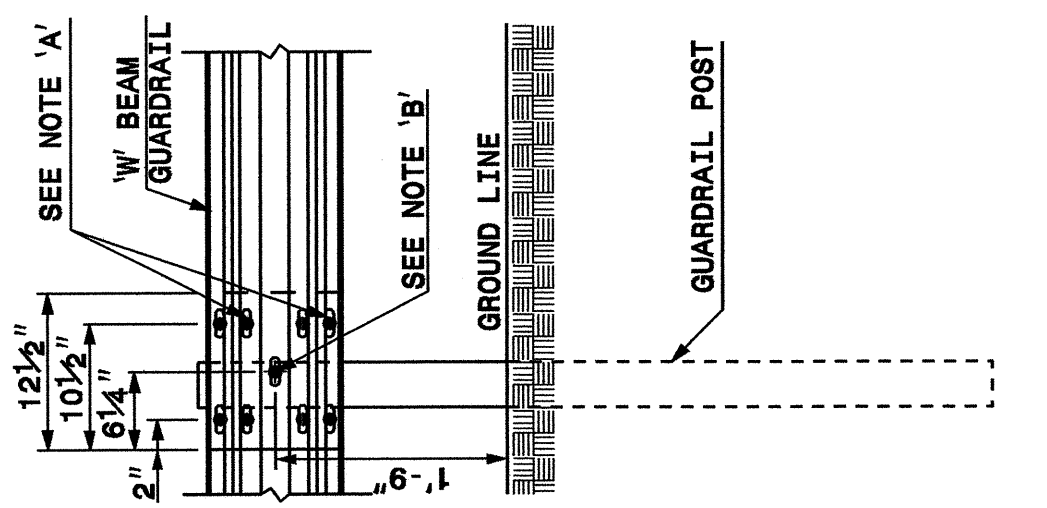
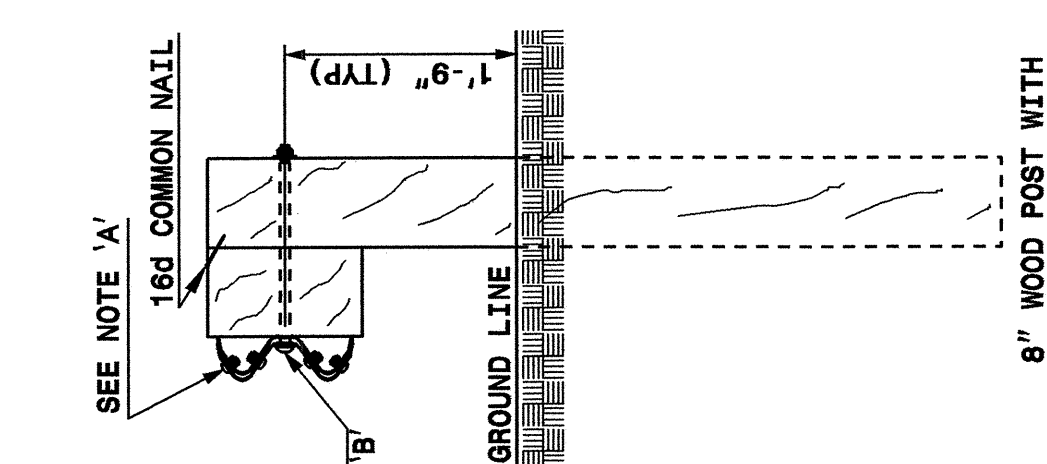
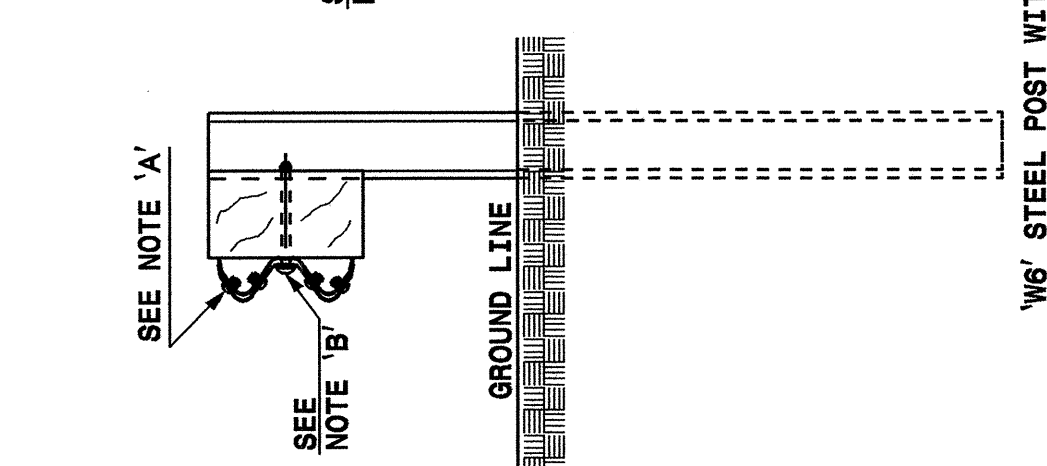
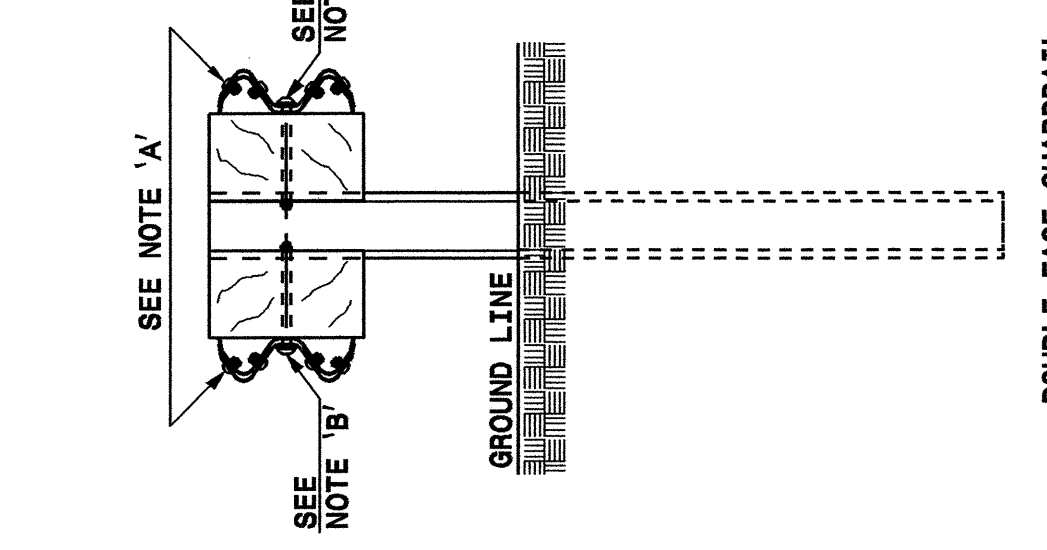
ENGLISH DETAIL DRAWING FOR GUARDRAIL INSTALLATION

SHEET 3 OF 7 862D02



PLAN

ISOMETRIC VIEWS

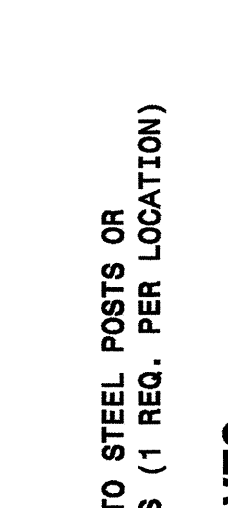
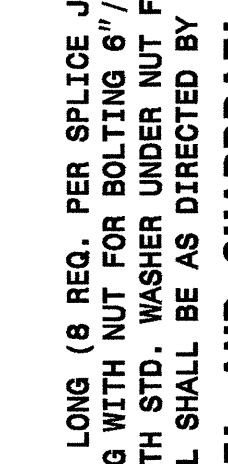
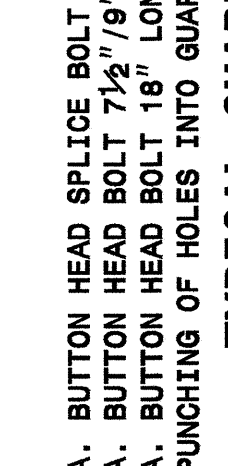


DOUBLE FACE GUARDRAIL

W6" STEEL POST WITH ROUTED OFFSET BLOCK

8" WOOD POST WITH WOOD OFFSET BLOCK

FRONT



DOUBLE FACE GUARDRAIL

W6" STEEL POST WITH ROUTED OFFSET BLOCK

8" WOOD POST WITH WOOD OFFSET BLOCK

SIDE

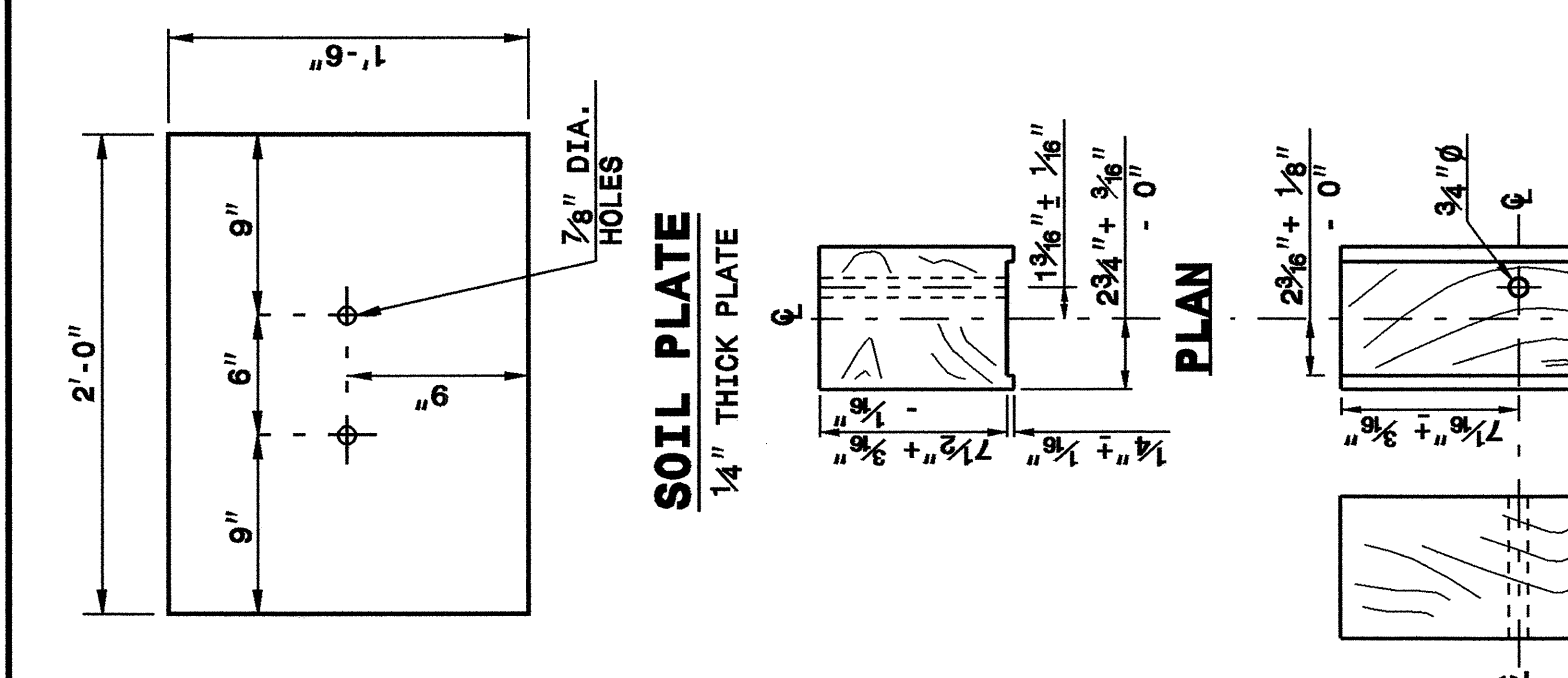
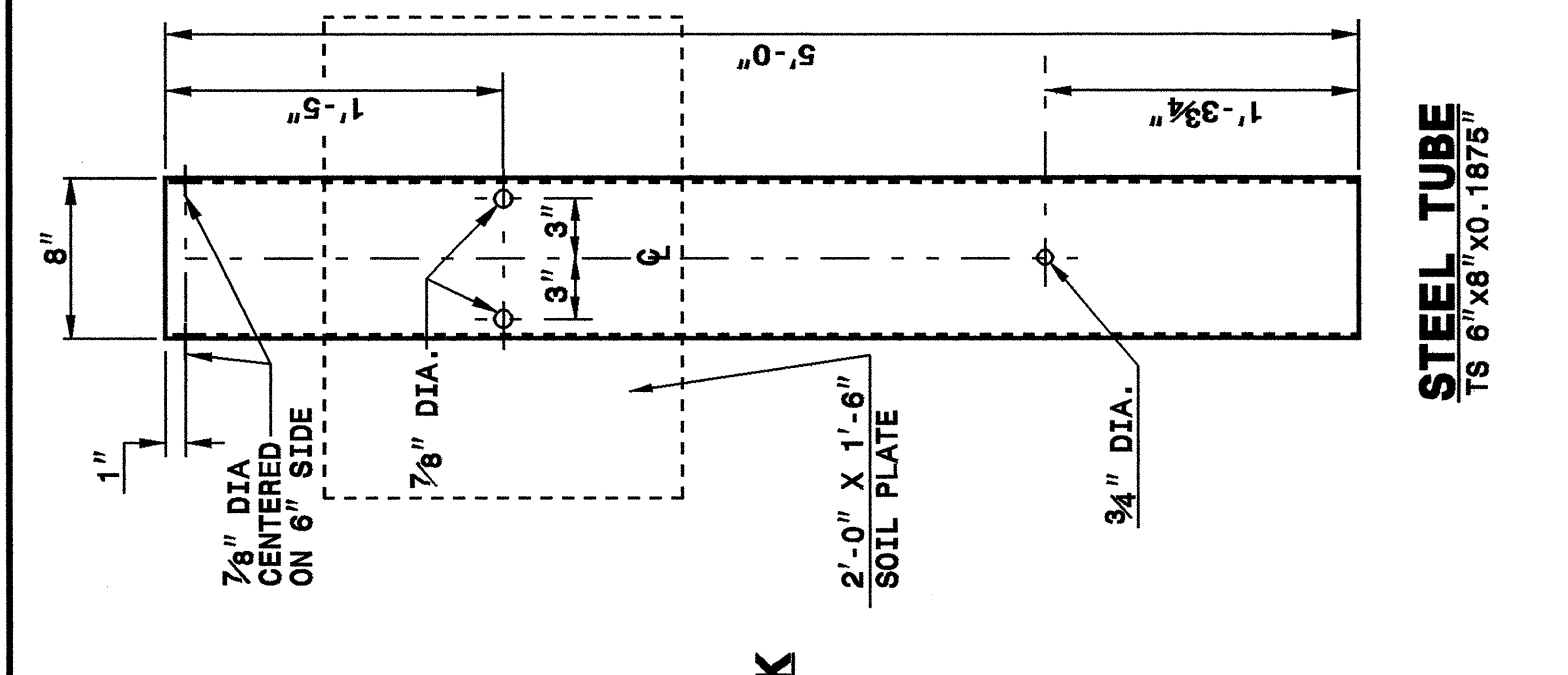
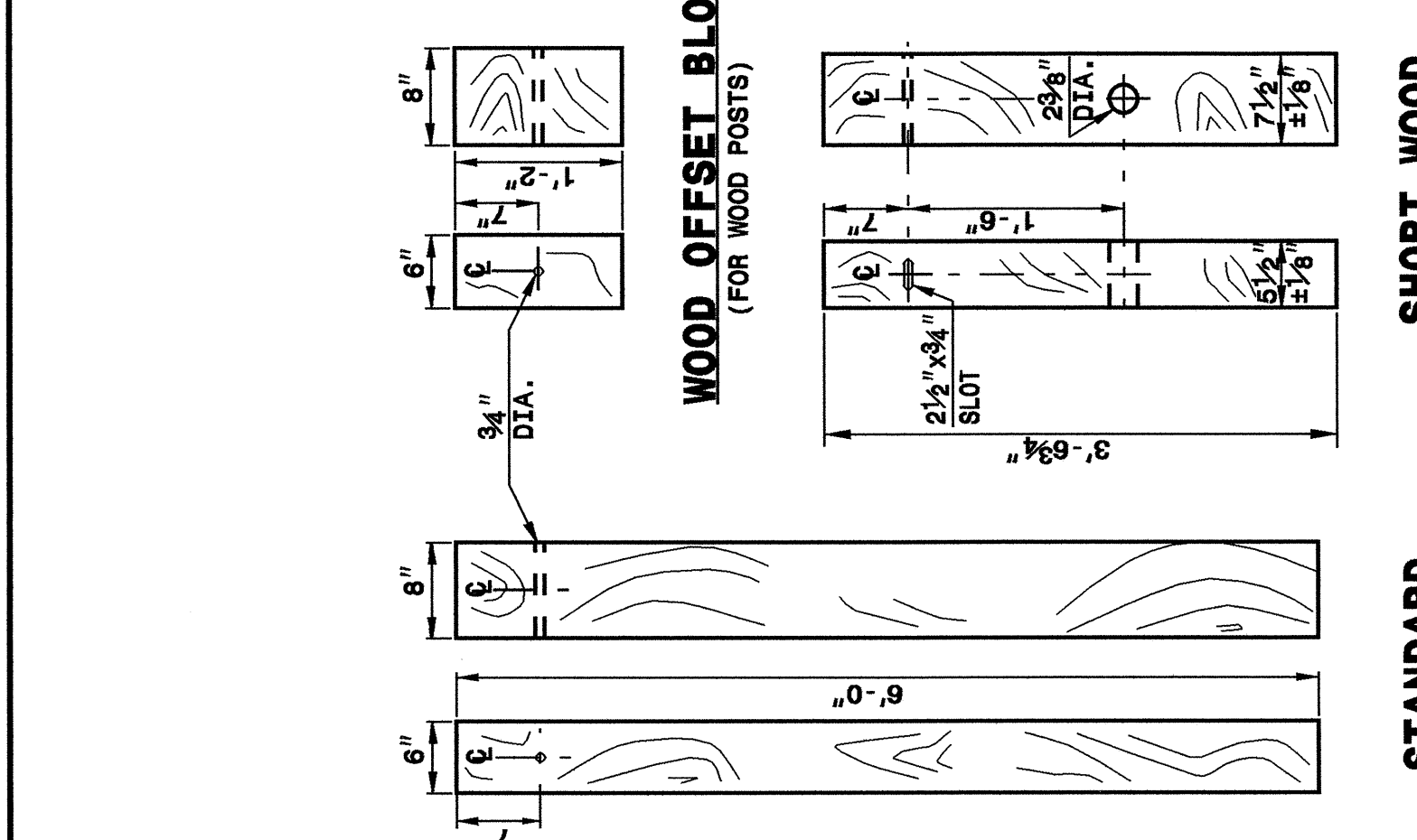
NOTES:  
 A - 5/8" DIA. BUTTON HEAD SPLICE BOLT 1 1/4" LONG (8 REQ. PER SPLICE JOINT).  
 B - 5/8" DIA. BUTTON HEAD BOLT 7 1/2" LONG WITH NUT FOR BOLTING 6 7/8" ROUTED OFFSET BLOCK TO STEEL POSTS OR 5/8" DIA. BUTTON HEAD BOLT 18" LONG WITH STD. WASHER UNDER NUT FOR BOLTING TO WOOD POSTS (1 REQ. PER LOCATION)  
 C - FIELD PUNCHING OF HOLES INTO GUARDRAIL SHALL BE AS DIRECTED BY THE ENGINEER.

TYPICAL GUARDRAIL AND GUARDRAIL POST ALTERNATIVES

STATE OF NORTH CAROLINA DEPT. OF TRANSPORTATION DIVISION OF HIGHWAYS RALEIGH, N.C.

ENGLISH DETAIL DRAWING FOR GUARDRAIL INSTALLATION

SHEET 4 OF 7 862D02



STANDARD LINE POST

WOOD OFFSET BLOCK (FOR WOOD POSTS)

STEEL TUBE TS 6 X8 X0.1875

SOIL PLATE 1/4" THICK PLATE

SHORT WOOD BREAKAWAY POST

BEARING PLATE 5/8" THICK PLATE

SIDE

FRONT

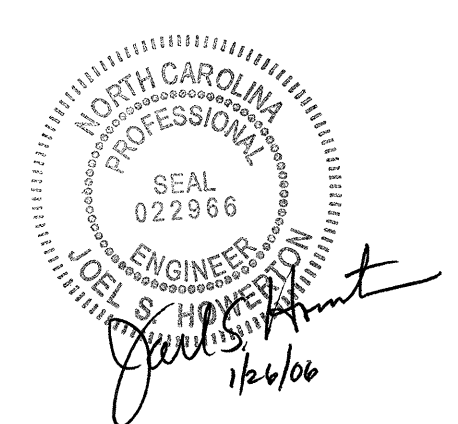
FRONT

FRONT

FRONT

FRONT

SYSTEM PARTS



PROJECT SERVICES UNIT  
 STANDARDS AND SPECIAL DESIGN  
 Office 919-250-4128 FAX 919-250-4119

SEE PLATE FOR TITLE

ORIGINAL BY: 2002 STD. 862.02 DATE:  
 MODIFIED BY: E.E. WARD DATE: 02-09-03  
 CHECKED BY: DATE:  
 FILE SPEC.: /usr/stds/02todetail/eng1.sh/86202/862D02.dgn

25-OCT-2004 13:45 W:\Special Details\recorder\stds\02\stds to Special Details\english\862D02\0862d02.dgn ericward AT DSZ12266