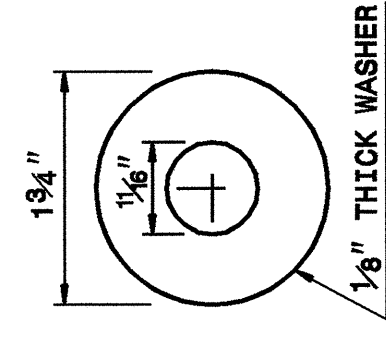
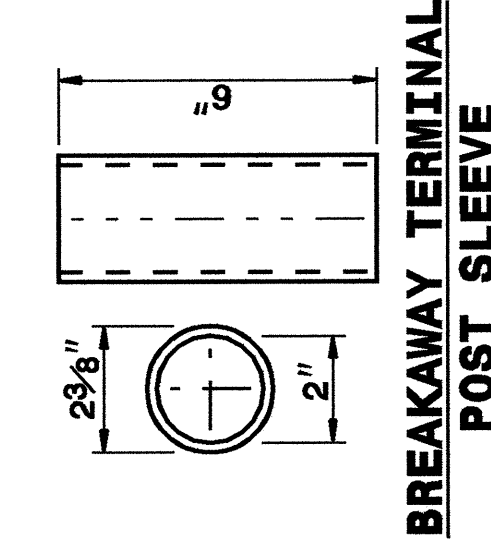


25-OCT-2004 13:55  
 M:\Special Details\guard\stds\02-stds to Special Details\english\86202\0862d02.dgn  
 -r1ward -R1 D5212260

STATE OF  
 NORTH CAROLINA  
 DEPT. OF TRANSPORTATION  
 DIVISION OF HIGHWAYS  
 RALEIGH, N.C.

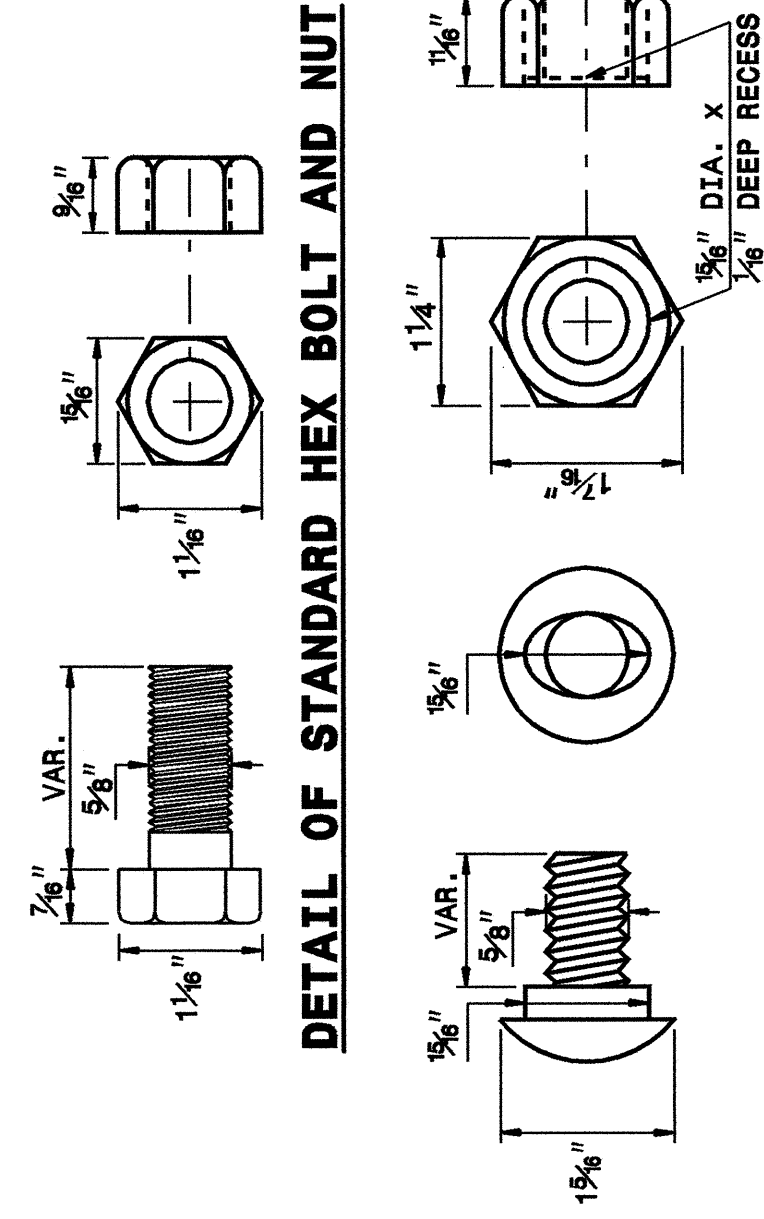
ENGLISH DETAIL DRAWING FOR  
**GUARDRAIL INSTALLATION**

SHEET 5 OF 7  
**862D02**

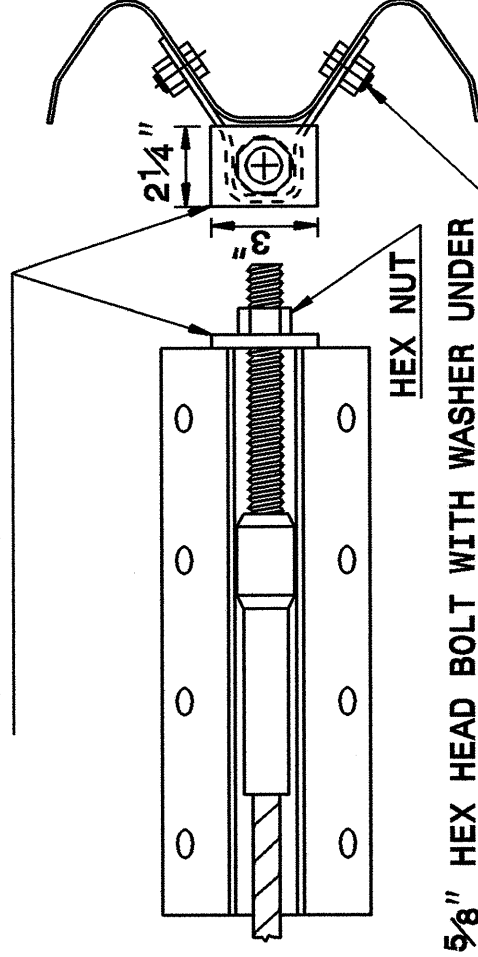


**DETAIL OF STANDARD WASHER**

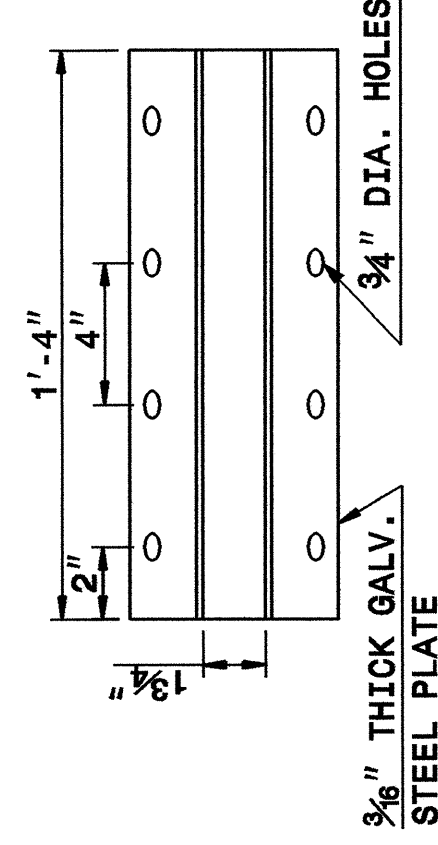
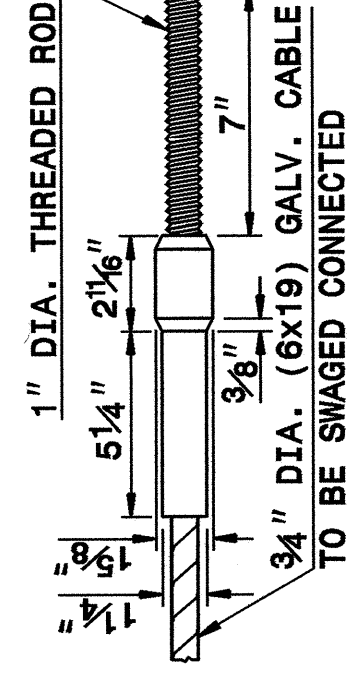
STANDARD WASHER: TYPICAL USE UNDER NUT WITH WOOD POST



3/8" THICK END PLATE WITH 1 1/8" DIA. HOLE CENTERED IN PLATE. END PLATE TO BE WELDED TO ANCHOR PLATE.



5/8" HEX HEAD BOLT WITH WASHER UNDER NUT (8 REQUIRED PER ASSEMBLY)



SHEET 5 OF 7  
**862D02**

ENGLISH DETAIL DRAWING FOR  
**GUARDRAIL INSTALLATION**

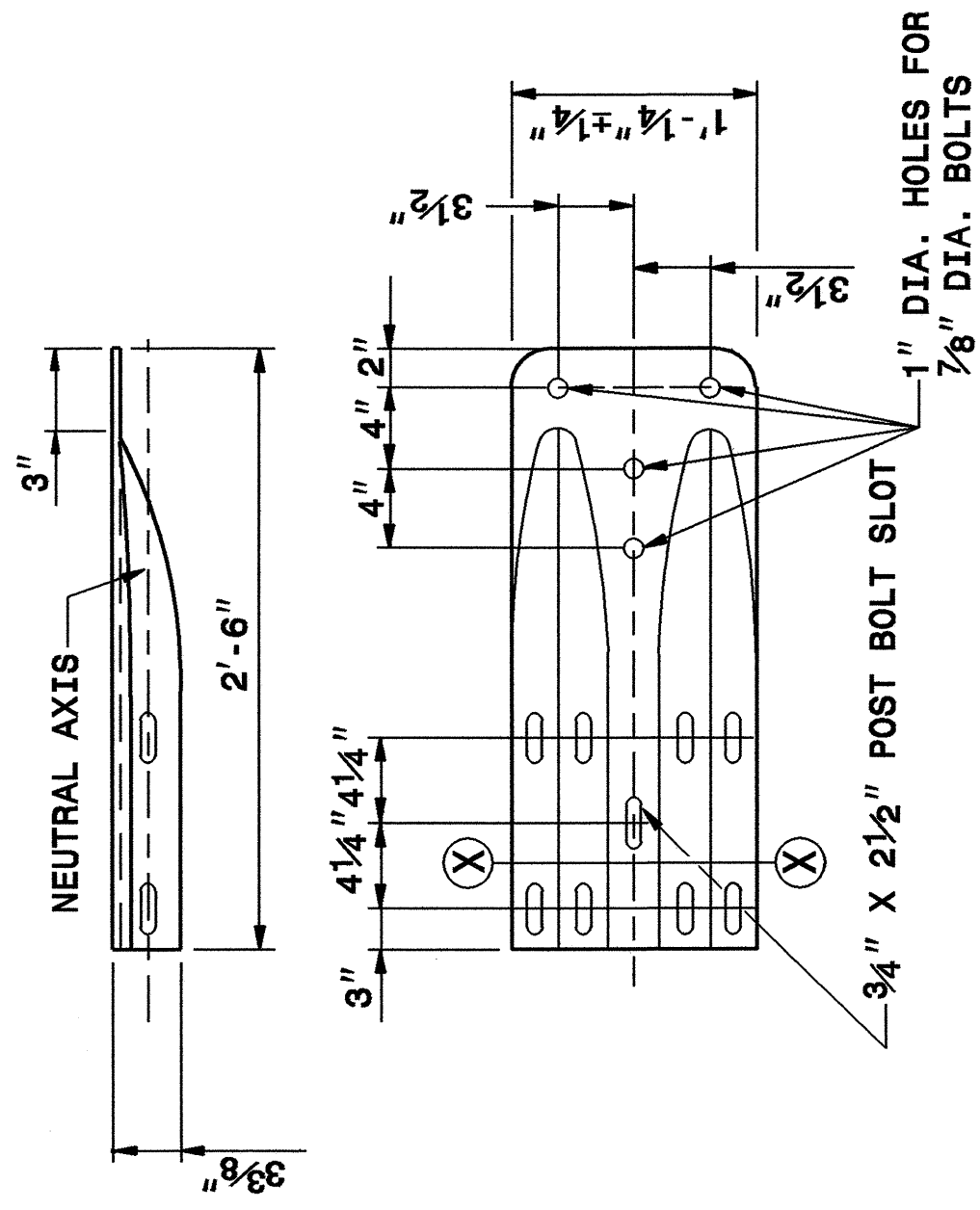
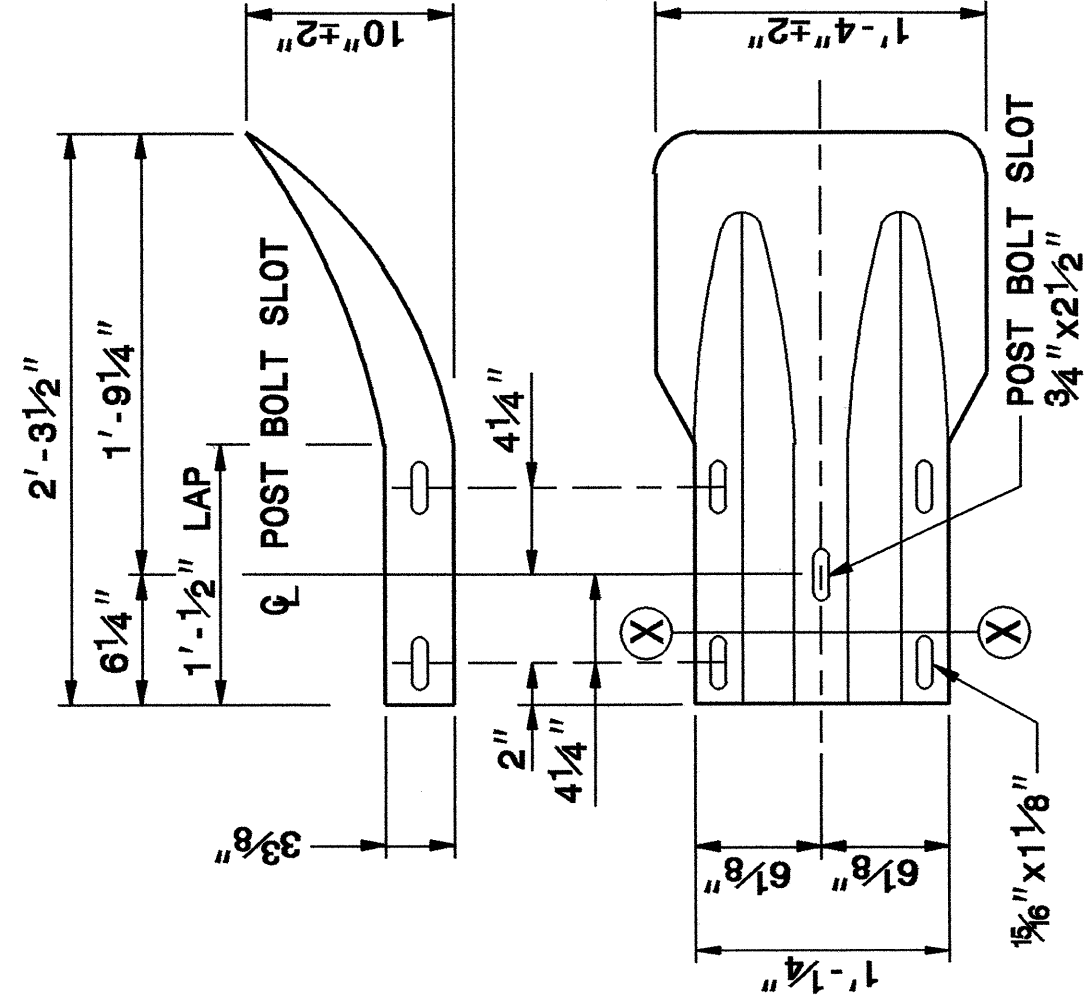
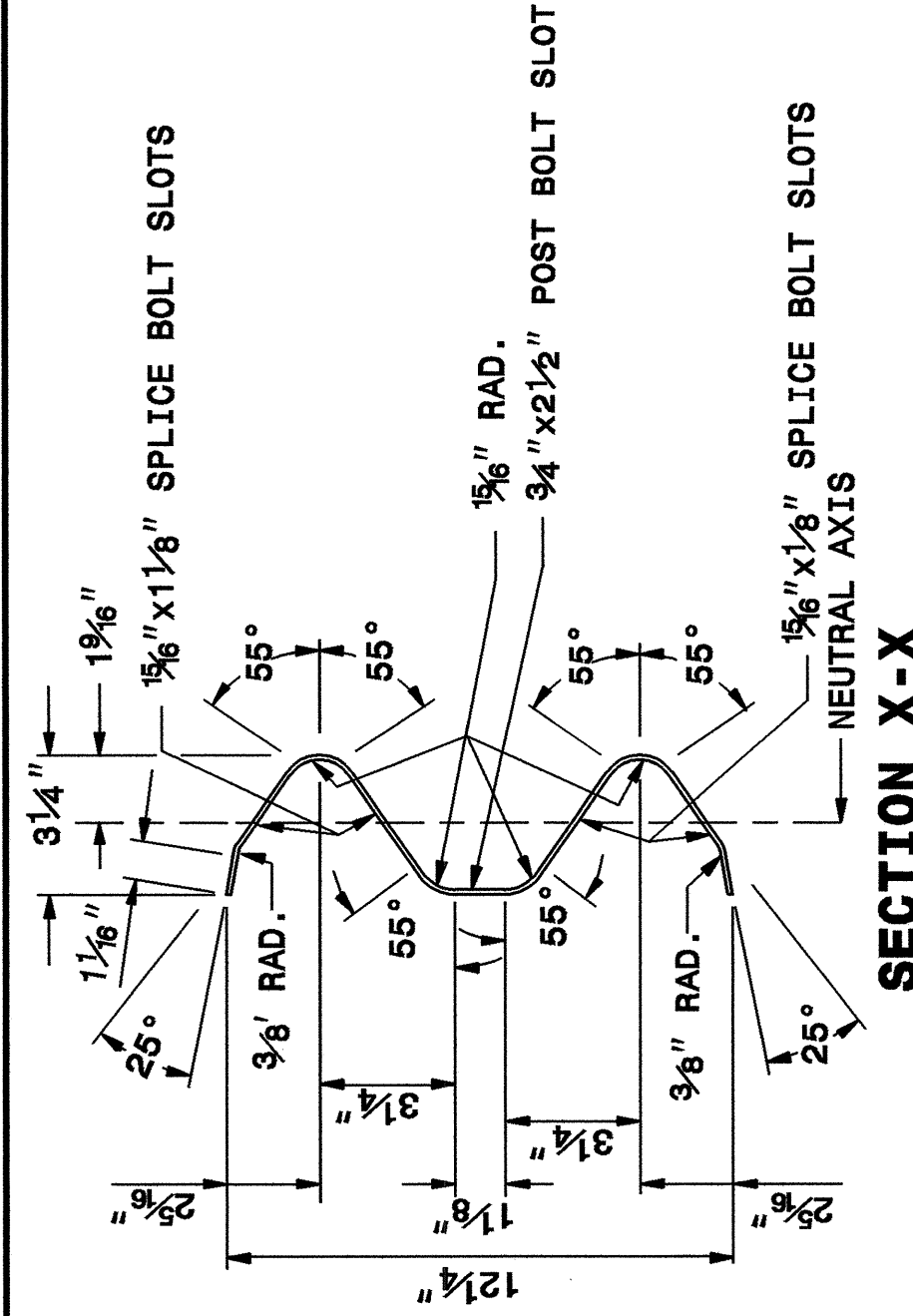
SHEET 6 OF 7  
**862D02**

STATE OF  
 NORTH CAROLINA  
 DEPT. OF TRANSPORTATION  
 DIVISION OF HIGHWAYS  
 RALEIGH, N.C.

STATE OF  
 NORTH CAROLINA  
 DEPT. OF TRANSPORTATION  
 DIVISION OF HIGHWAYS  
 RALEIGH, N.C.

ENGLISH DETAIL DRAWING FOR  
**GUARDRAIL INSTALLATION**

SHEET 6 OF 7  
**862D02**



SHEET 6 OF 7  
**862D02**

ENGLISH DETAIL DRAWING FOR  
**GUARDRAIL INSTALLATION**

STATE OF  
 NORTH CAROLINA  
 DEPT. OF TRANSPORTATION  
 DIVISION OF HIGHWAYS  
 RALEIGH, N.C.

PROJECT SERVICES UNIT  
 STANDARDS AND SPECIAL DESIGN  
 Office 919-250-4128 FAX 919-250-4119

**SEE PLATE FOR TITLE**

ORIGINAL BY: 2002 STD.862.02 DATE:  
 MODIFIED BY: E.E. WARD DATE: 02-09-03  
 CHECKED BY: DATE:  
 FILE SPEC.: /usr/stds/02todetail/english/86202/862d02.dgn

