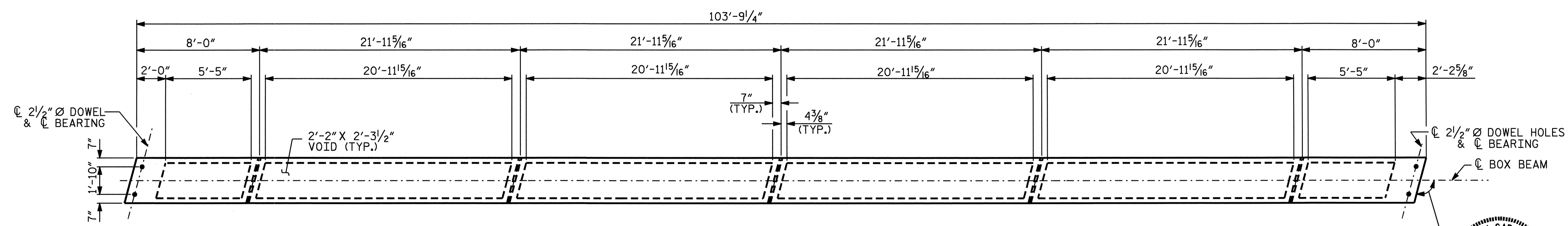


SPAN A



PARTIAL PLAN OF BOX BEAM - SPAN A

PROJECT NO. B-4110
 DURHAM COUNTY
 STATION: 17+41.66 -L-
 SHEET 2 OF 13

STATE OF NORTH CAROLINA DEPARTMENT OF TRANSPORTATION RALEIGH					
SUPERSTRUCTURE PLAN OF SPAN SPAN A					
REVISIONS					
NO.	BY:	DATE:	NO.	BY:	DATE:
1			3		
2			4		
SHEET NO. S-5					TOTAL SHEETS 27

DRAWN BY: SWANcPE DATE: 08/05
 CHECKED BY: M.A. ALLEN DATE: 11/05

24-JAN-2006 10:31
 N:\Structures\swanoe\Microstation\b4110 Box Bm Supstr.dgn
 maillen

