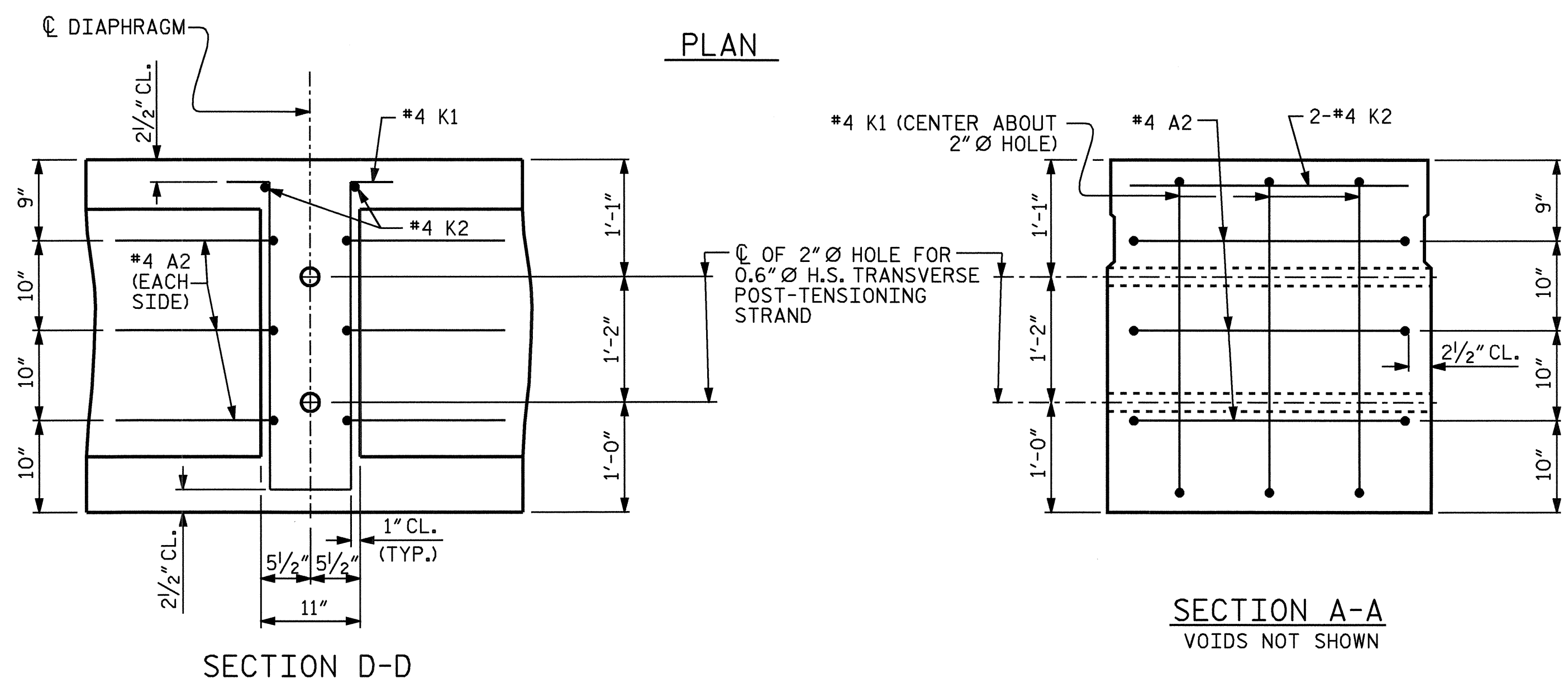


PLAN

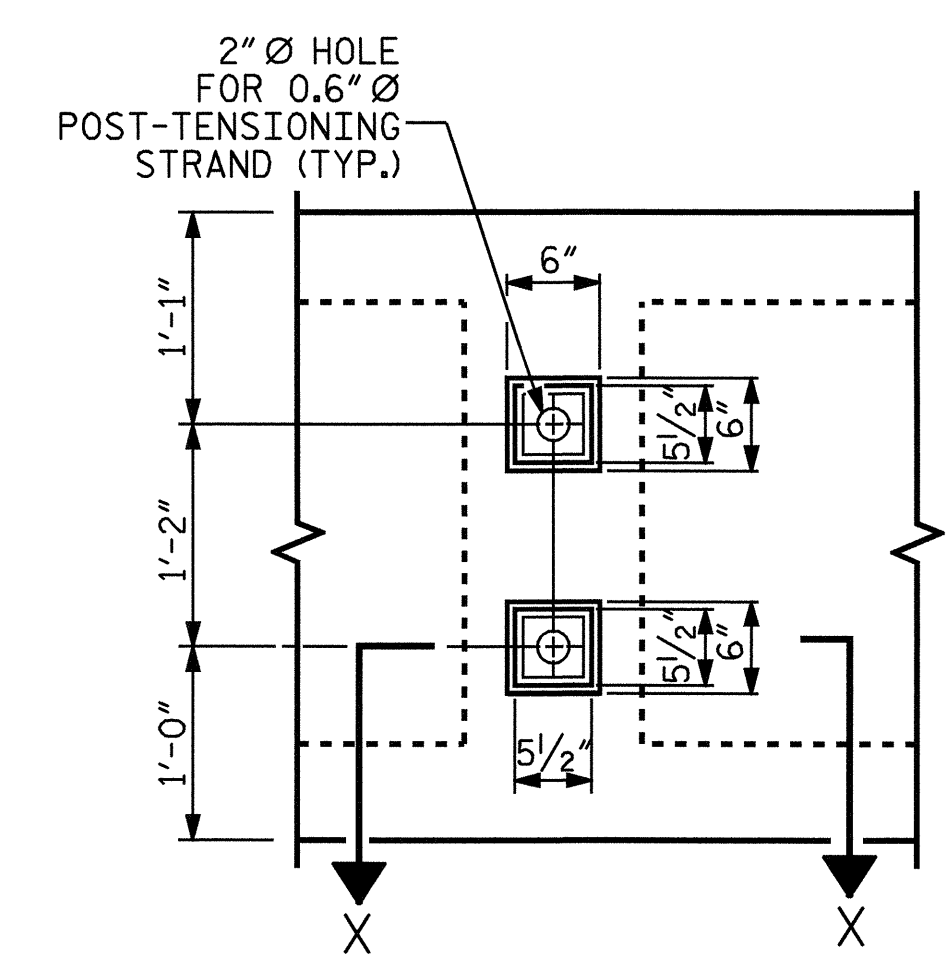


SECTION D-D

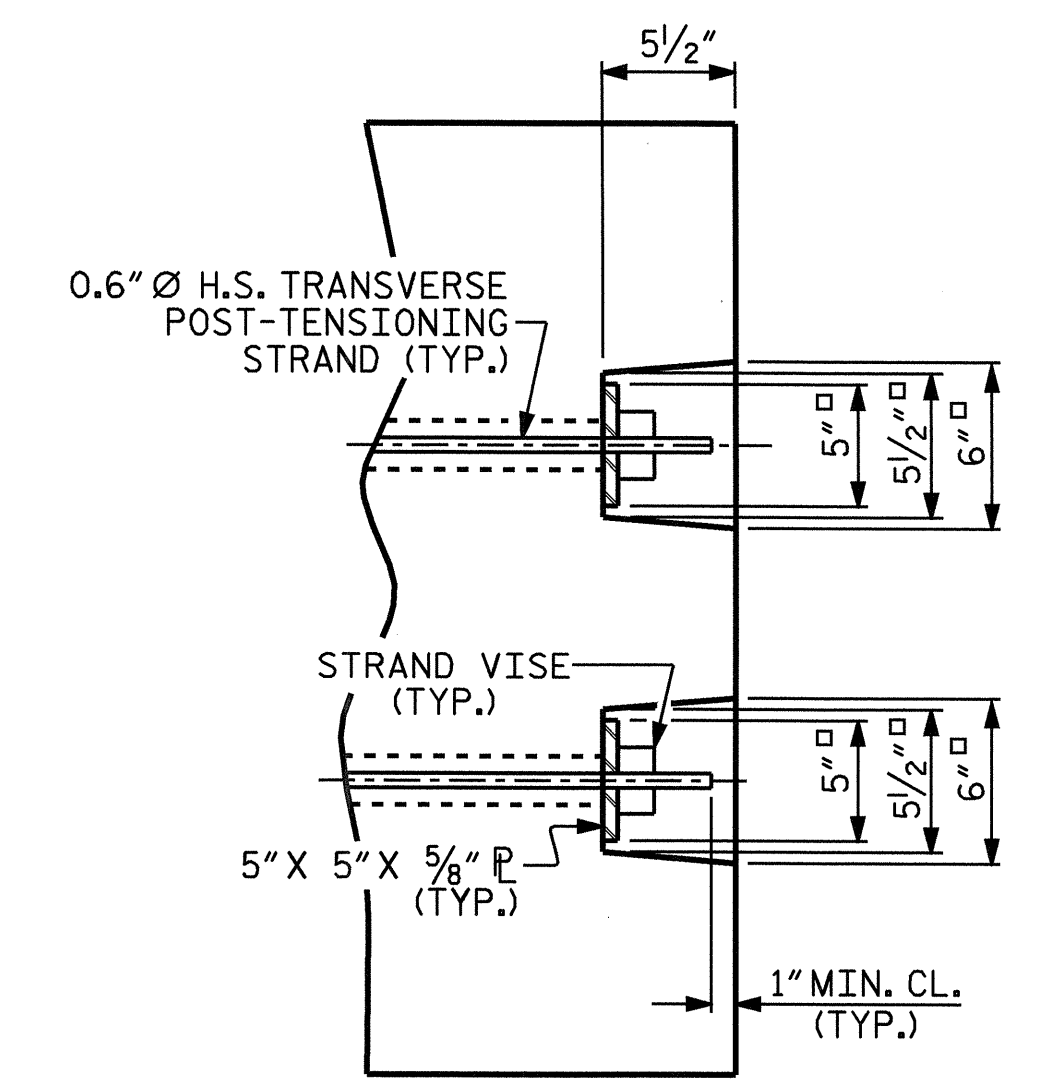
SECTION A-A
VOIDS NOT SHOWN

DOUBLE DIAPHRAGM DETAILS FOR 39" BOX BEAM

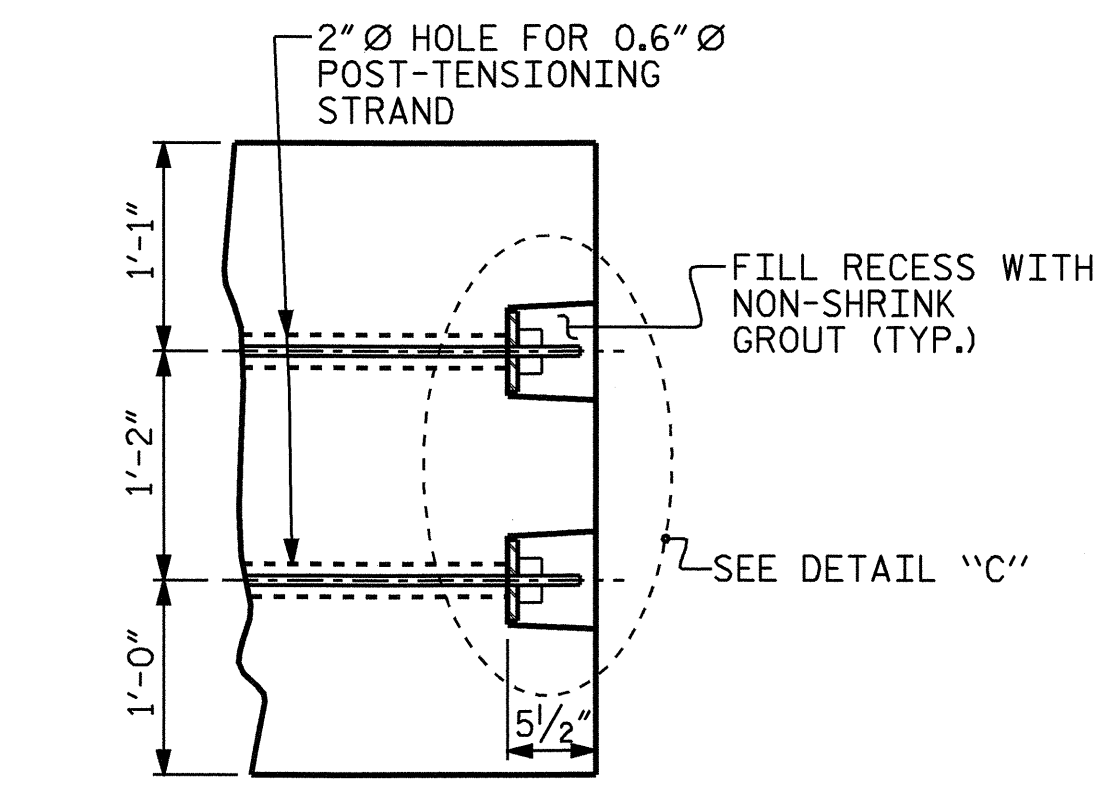
#4 "S" BARS NOT SHOWN. #4 "S" BARS MAY BE SHIFTED SLIGHTLY TO CLEAR 2" Ø HOLE.



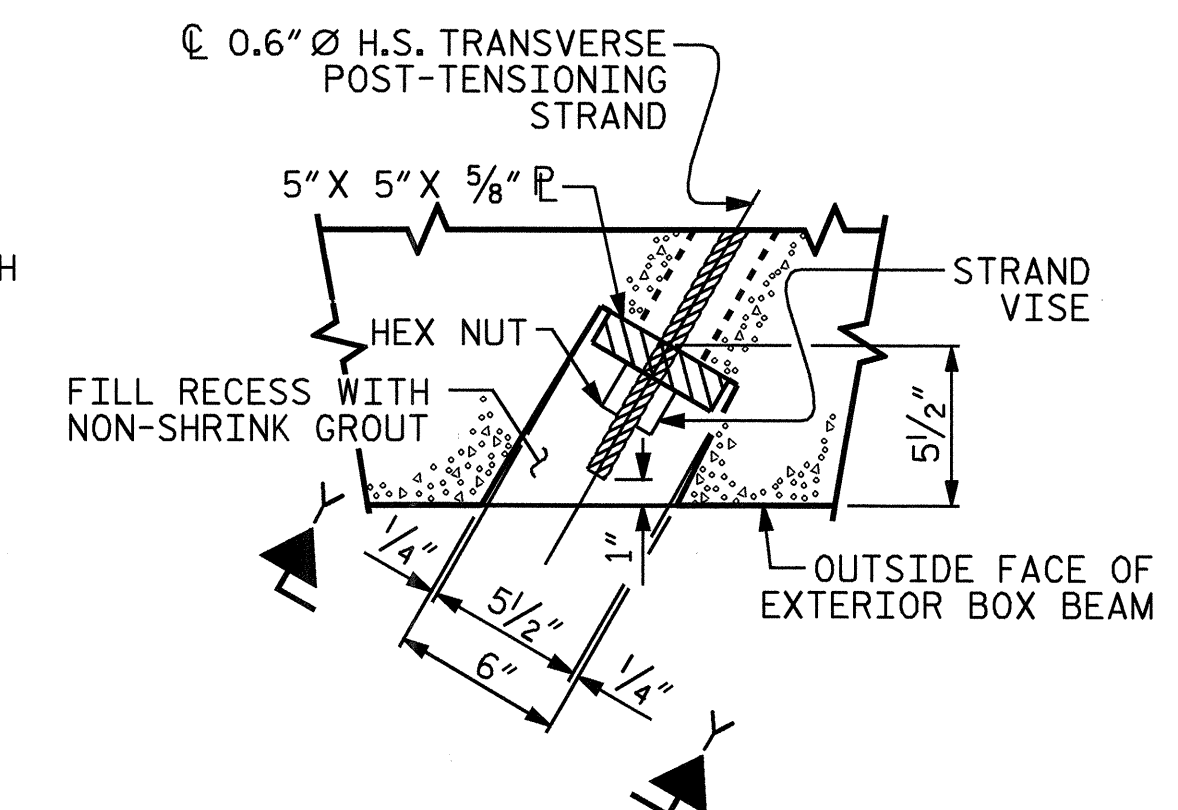
VIEW Y-Y
SHOWING ELEVATION VIEW OF GROUDED RECESS



DETAIL "C"

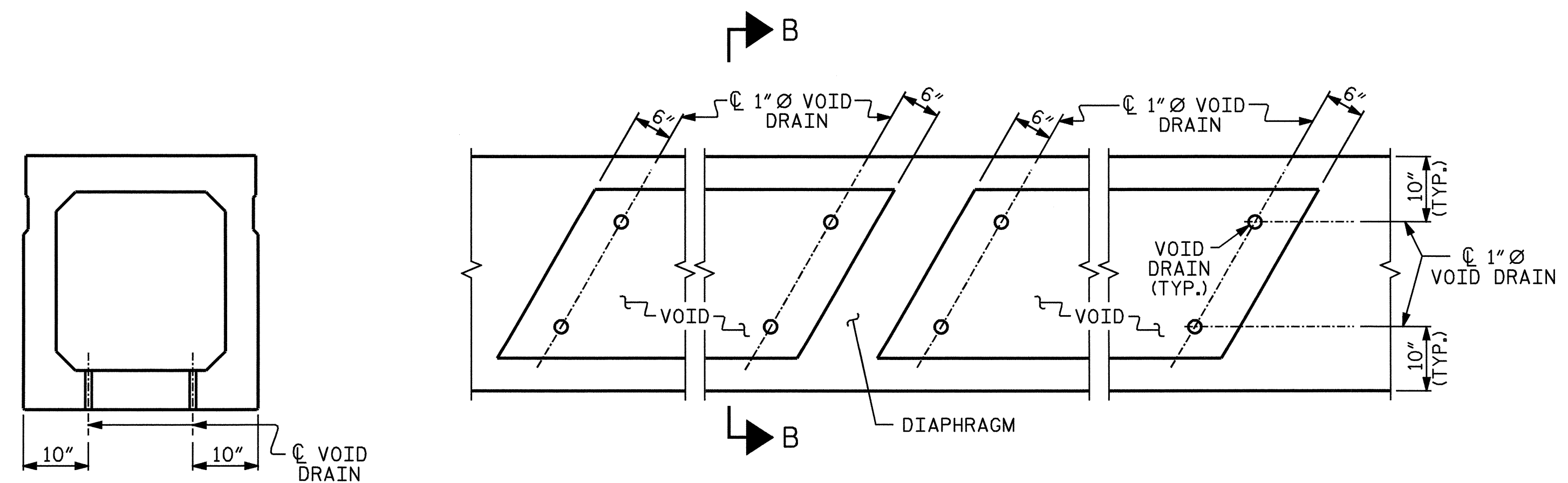


PART SECTION AT RECESS



SECTION X-X
SHOWING PLAN VIEW OF GROUDED RECESS

GROUDED RECESS DETAIL AT
END OF POST-TENSIONED STRANDS
OF EXTERIOR 39" BOX BEAM



SECTION B-B

PART PLAN

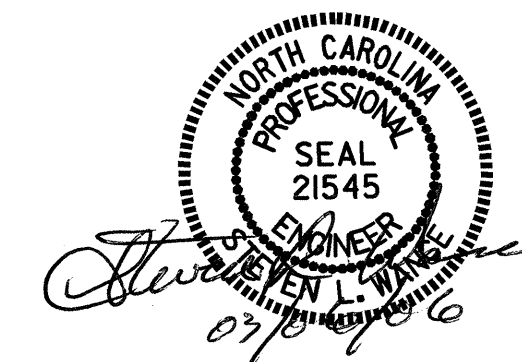
VOID DRAIN DETAILS

(DIMENSIONS SHOWN ARE TYPICAL FOR EACH VOID)

PROJECT NO. B-4110
DURHAM COUNTY
STATION: 17+41.66 -L-

SHEET 6 OF 13

STATE OF NORTH CAROLINA
DEPARTMENT OF TRANSPORTATION
RALEIGH
STANDARD
3'-0" X 3'-3"
PRESTRESSED CONCRETE
BOX BEAM UNIT
SPAN A



ASSEMBLED BY : SWANCePE	DATE : 08/05
CHECKED BY : M.A. ALLEN	DATE : 11/05
DRAWN BY : TLA 5/05	ADDED 7/11/05
CHECKED BY : GM 6/05	

REVISIONS						SHEET NO.
NO.	BY:	DATE:	NO.	BY:	DATE:	S-9
1			3			TOTAL SHEETS
2			4			27

STD. NO. PCBB7