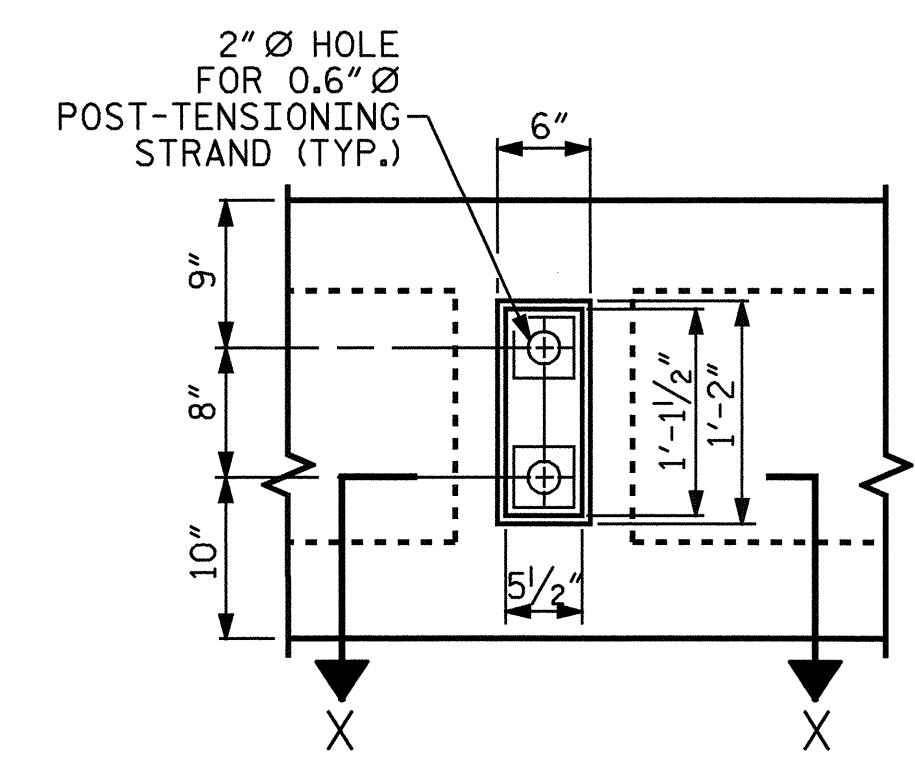
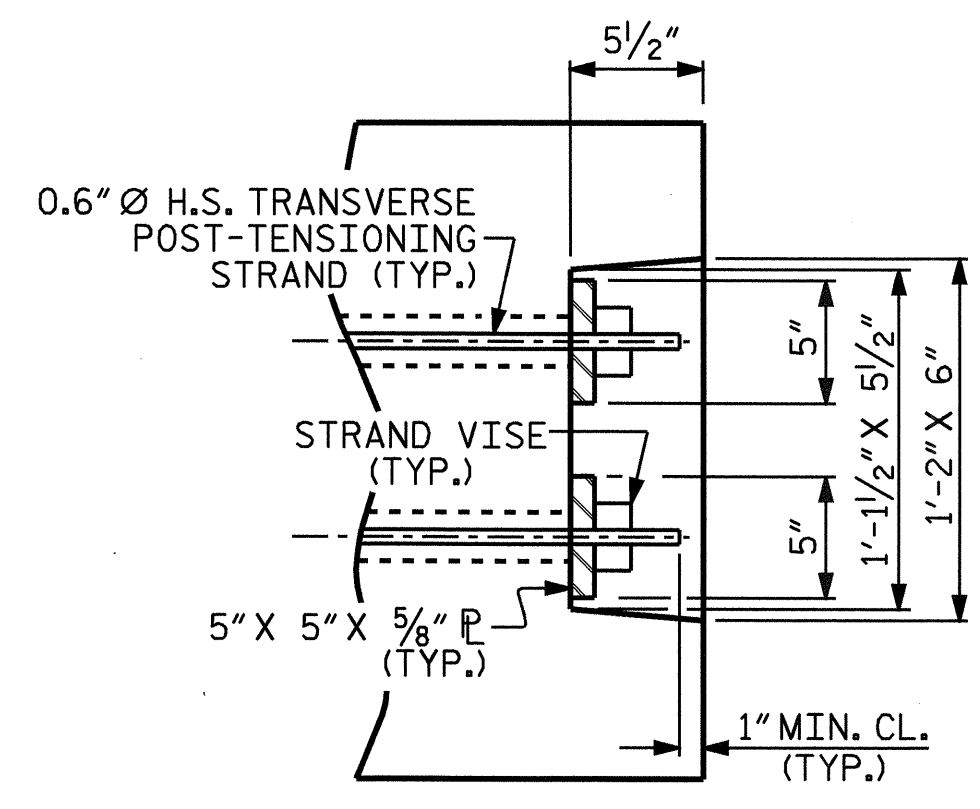


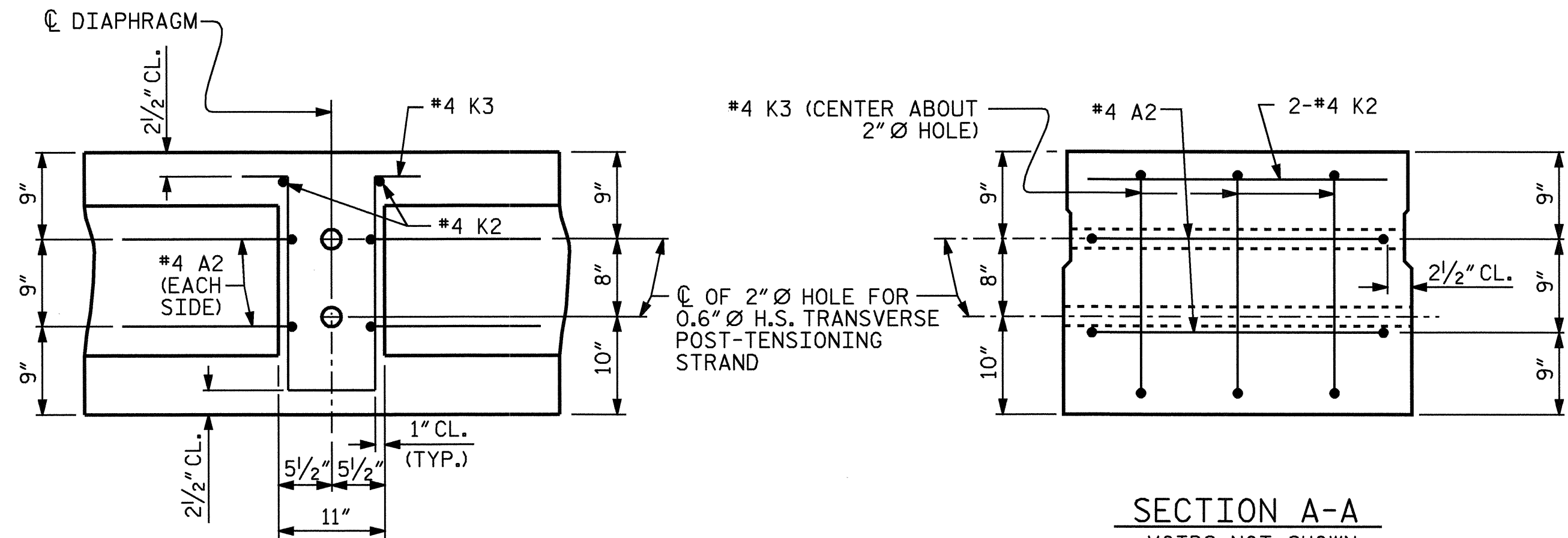
PLAN



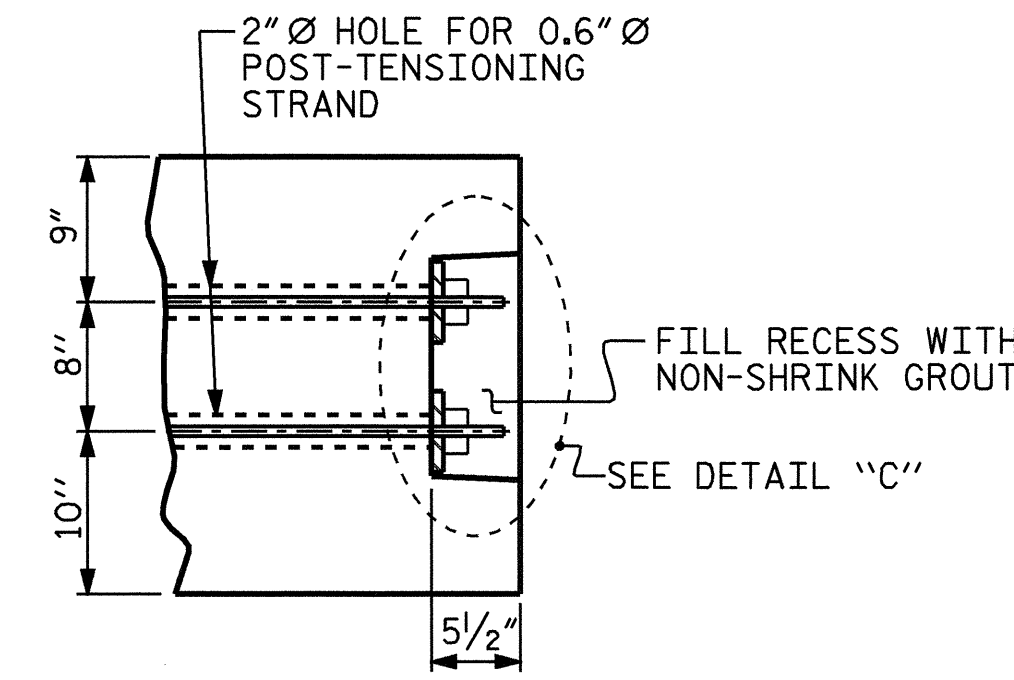
VIEW Y-Y
SHOWING ELEVATION VIEW OF GROUDED RECESS



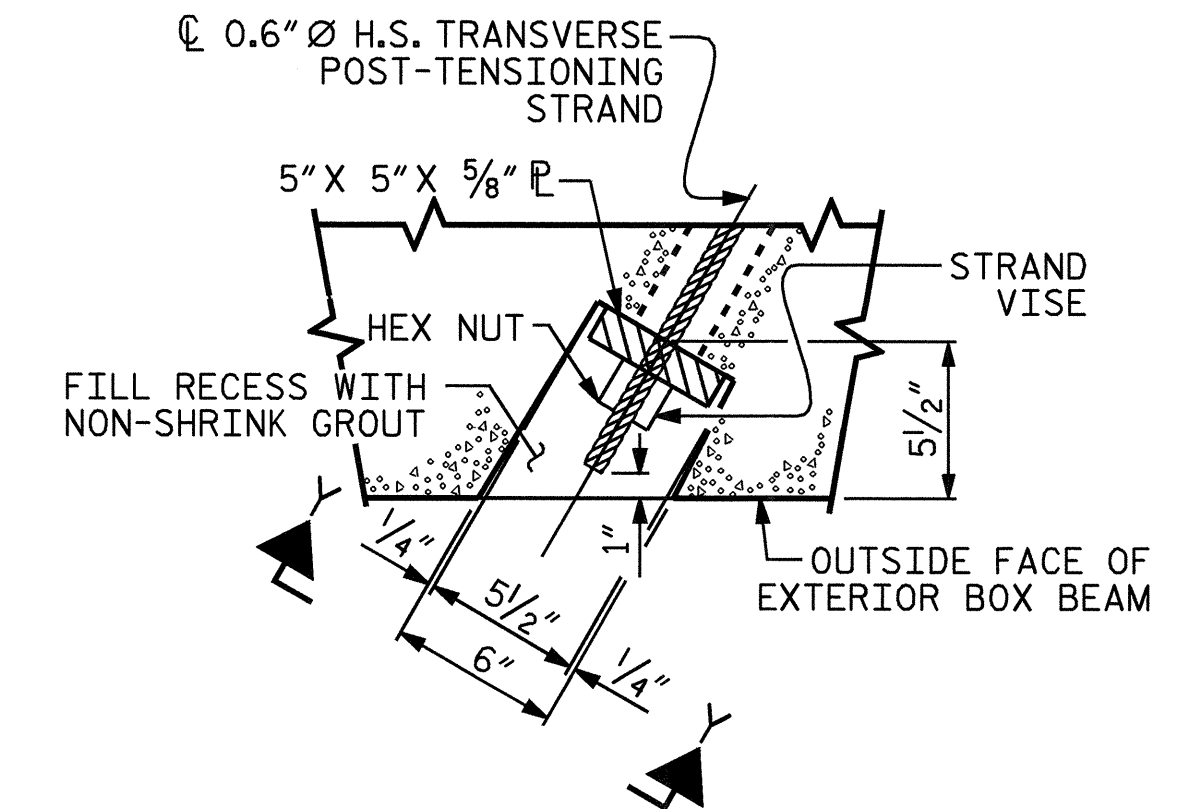
DETAIL "C"



SECTION A-A
VOIDS NOT SHOWN



PART SECTION AT RECESS



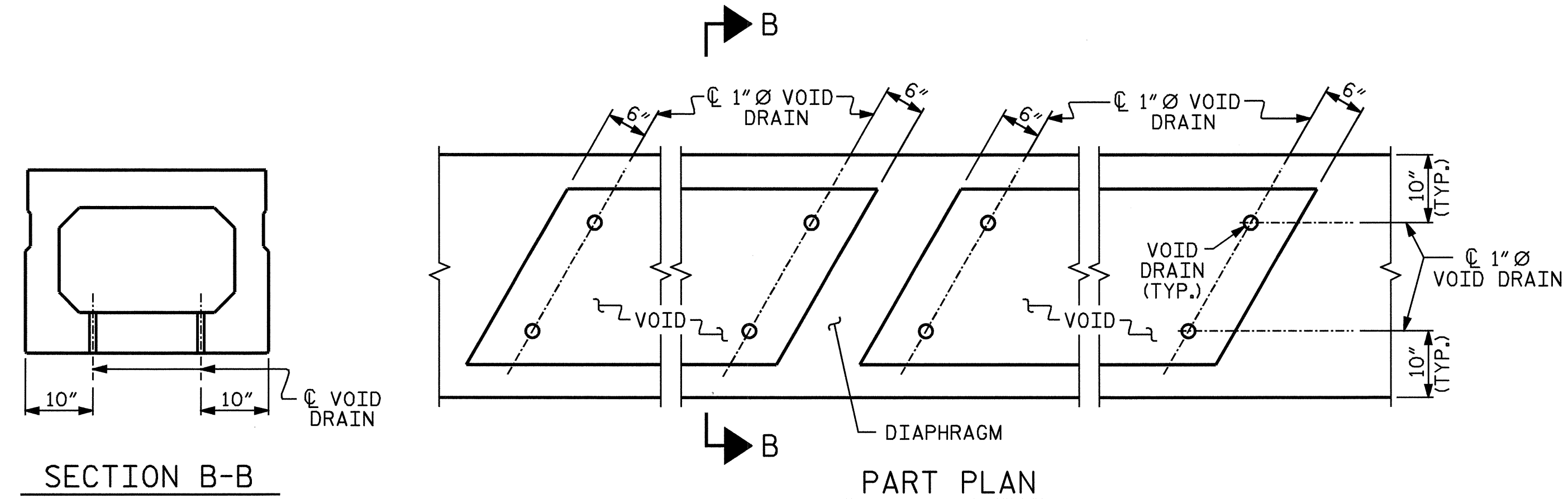
SECTION X-X
SHOWING PLAN VIEW OF GROUDED RECESS

SECTION D-D

DOUBLE DIAPHRAGM DETAILS FOR 27" BOX BEAM

#4 "S" BARS NOT SHOWN. #4 "S" BARS MAY BE SHIFTED SLIGHTLY TO CLEAR 2" Ø HOLE.

GROUDED RECESS DETAIL AT
END OF POST-TENSIONED STRANDS
OF EXTERIOR 27" BOX BEAM



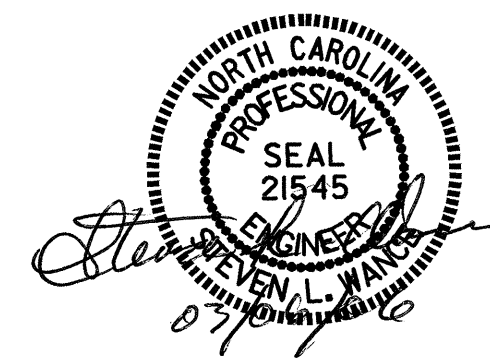
VOID DRAIN DETAILS

(DIMENSIONS SHOWN ARE TYPICAL FOR EACH VOID)

PROJECT NO. B-4110
DURHAM COUNTY
STATION: 17+41.66 -L-

SHEET 7 OF 13

STATE OF NORTH CAROLINA
DEPARTMENT OF TRANSPORTATION
RALEIGH
STANDARD
3'-0" X 2'-3"
PRESTRESSED CONCRETE
BOX BEAM UNIT
SPAN B



ASSEMBLED BY : SWANCOPE	DATE : 08/05
CHECKED BY : M.A. ALLEN	DATE : 11/05
DRAWN BY : TLA 5/05	ADDED 7/11/05
CHECKED BY : GM 6/05	

REVISIONS						SHEET NO.
NO.	BY:	DATE:	NO.	BY:	DATE:	S-10
1			3			TOTAL SHEETS 27
2			4			