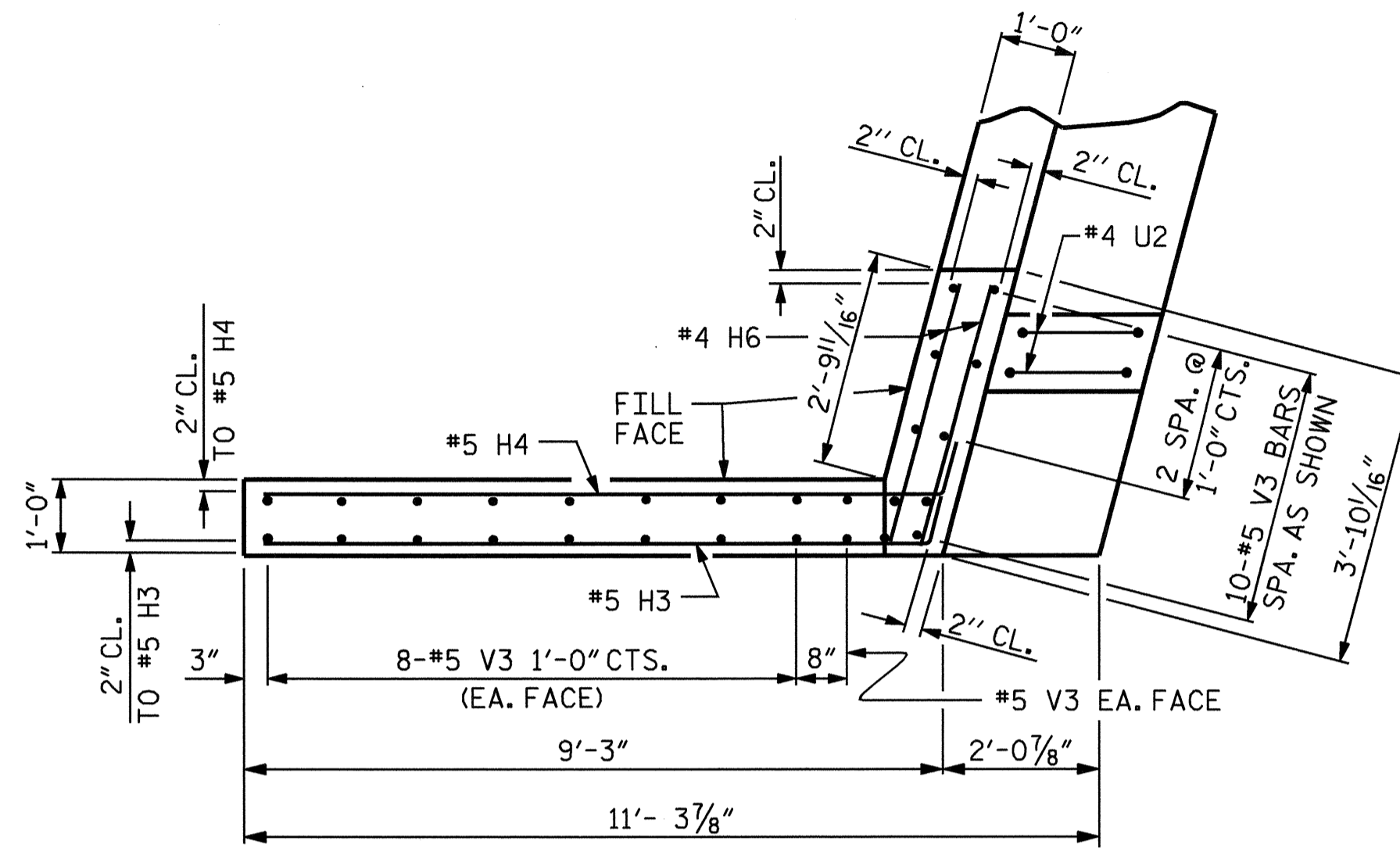
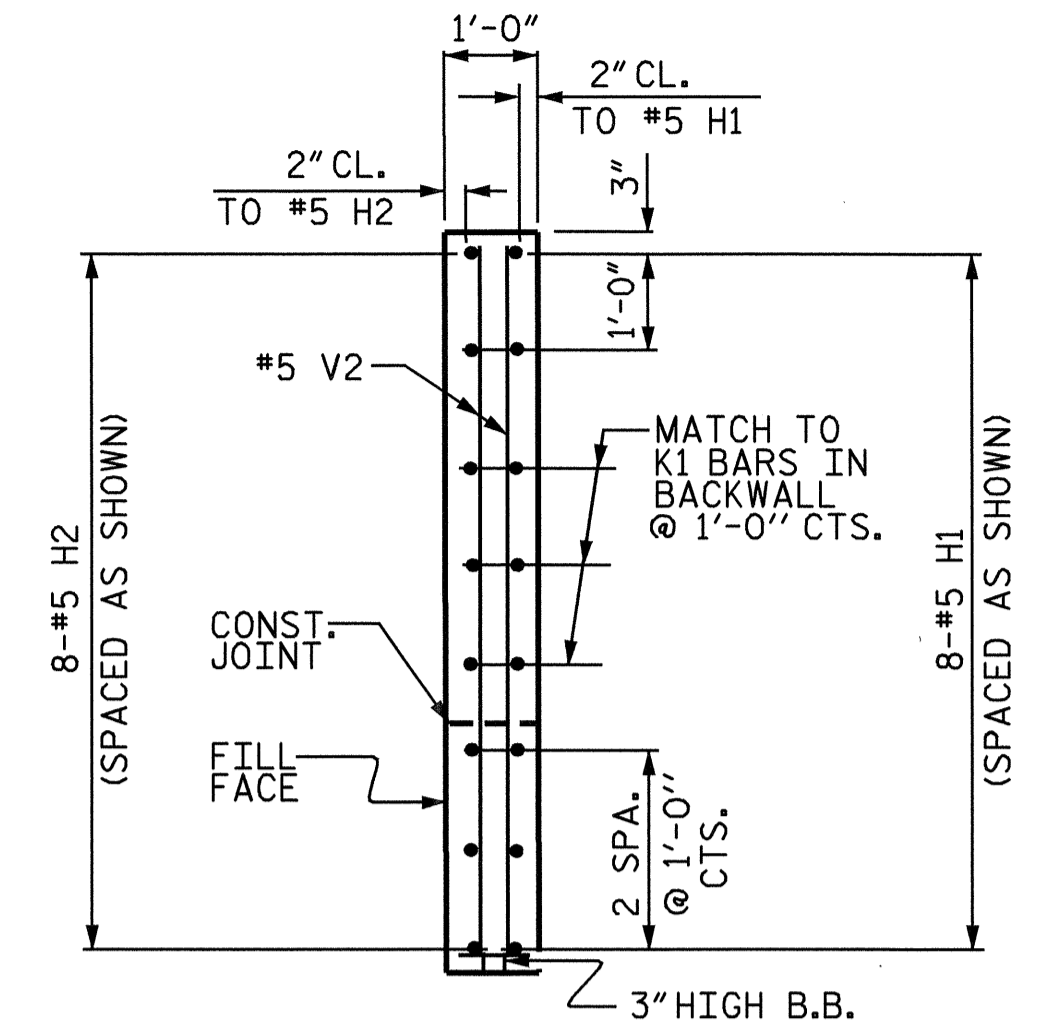


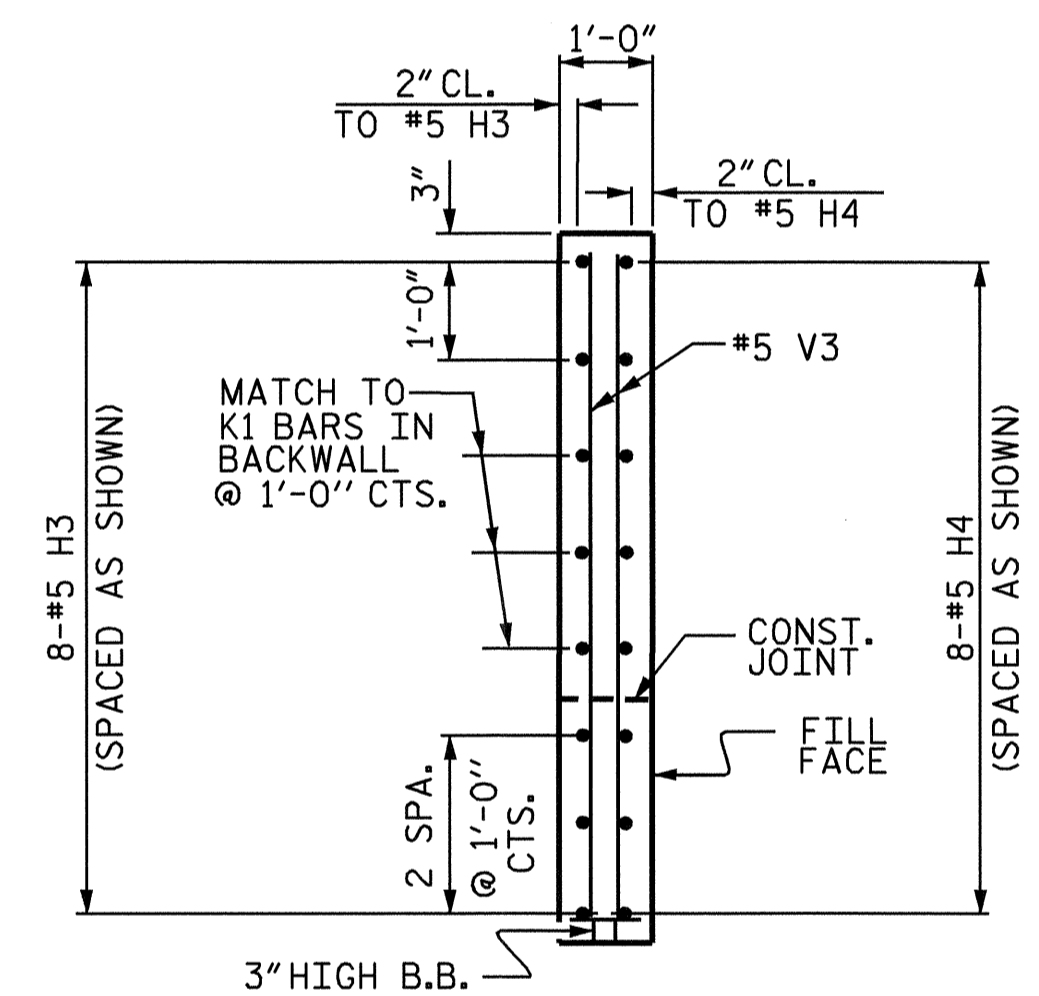
PLAN OF WING W1



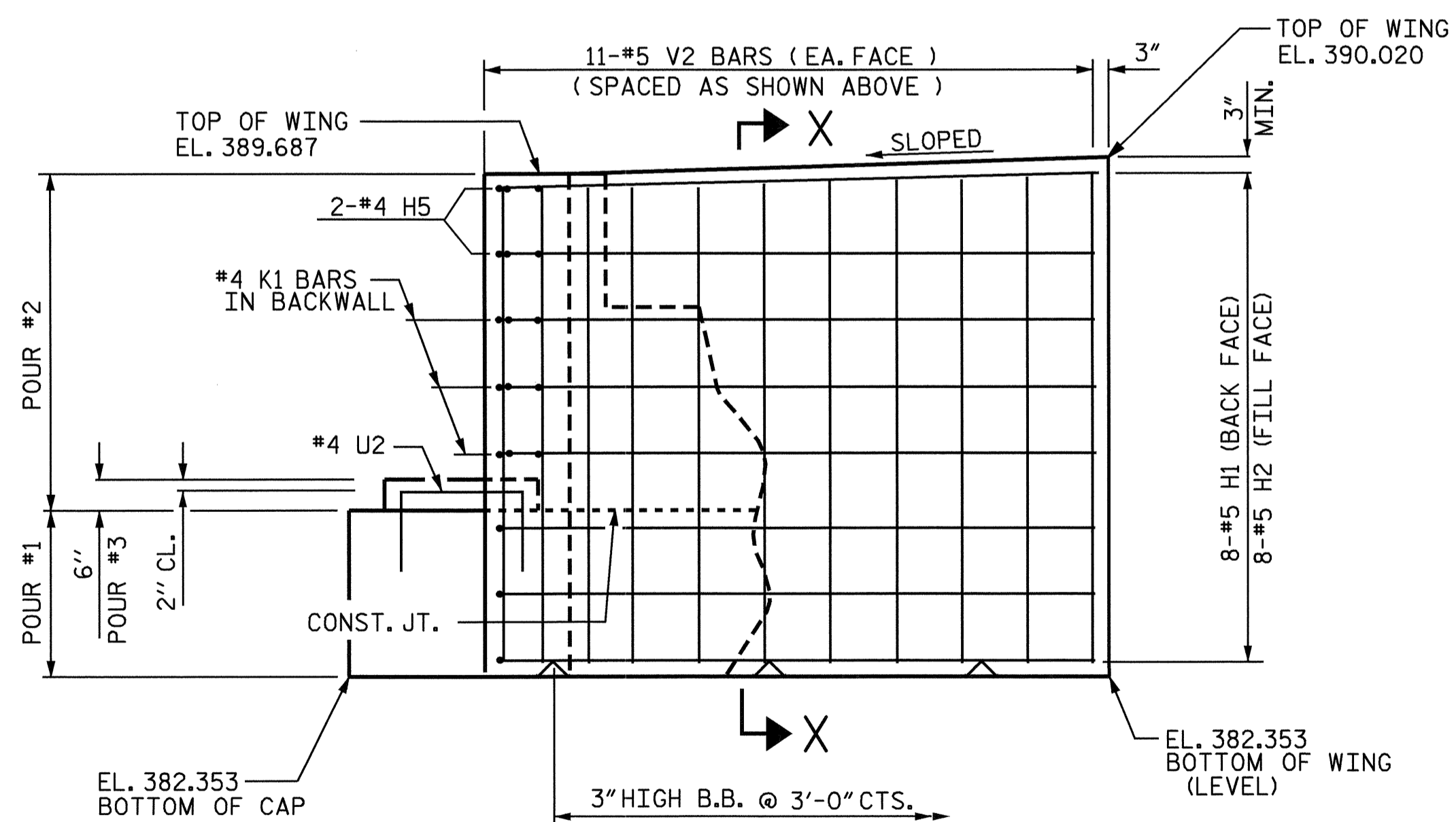
PLAN OF WING W2



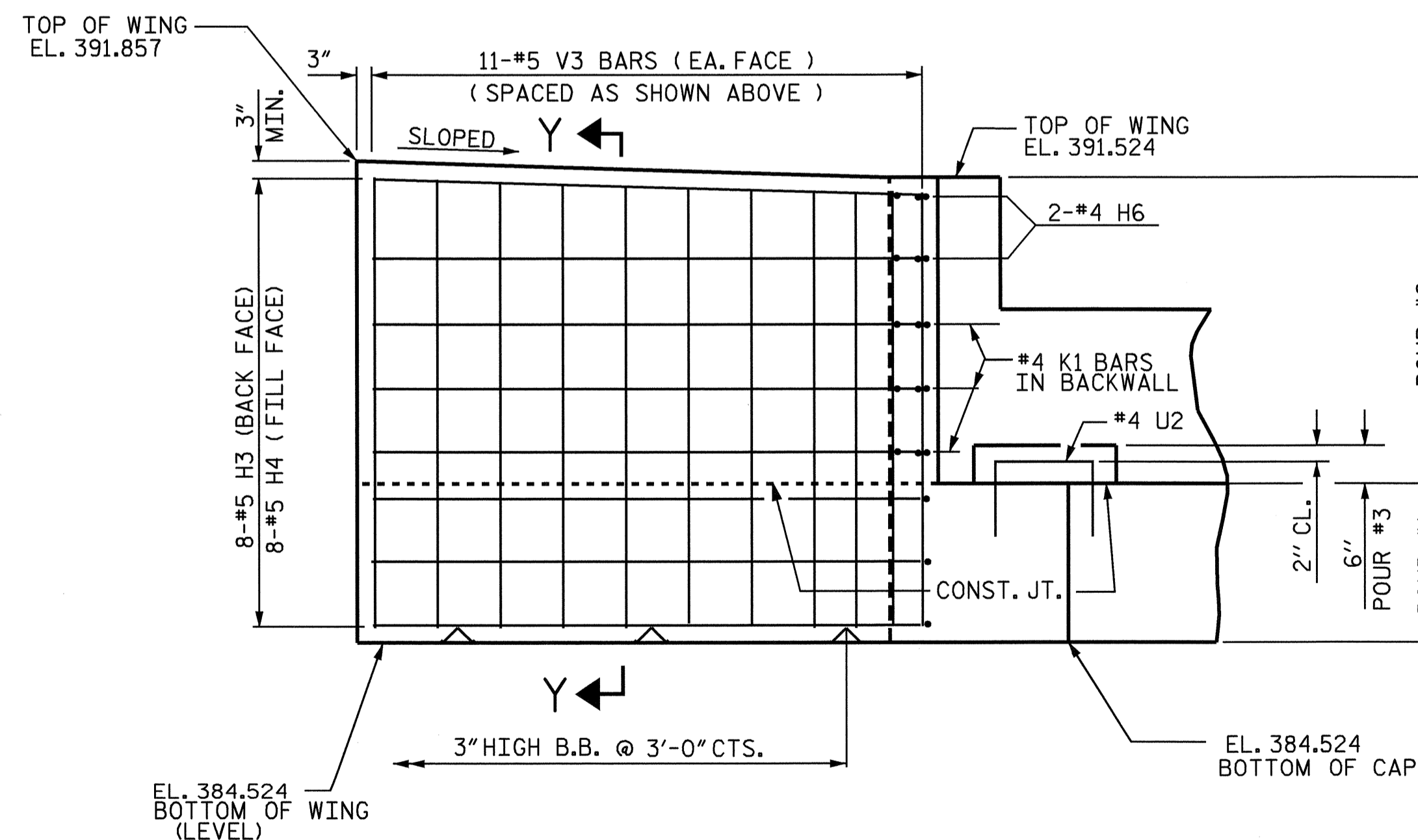
SECTION X-X



SECTION Y-Y



ELEVATION OF WING W1



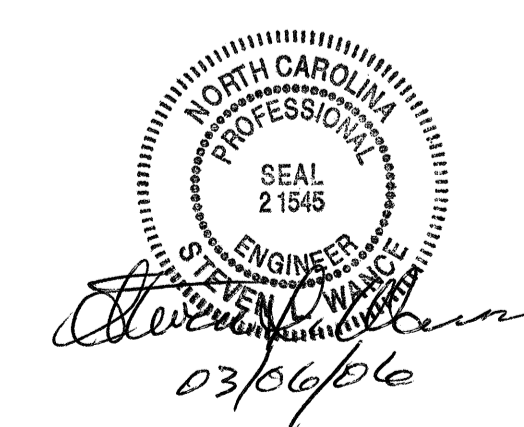
ELEVATION OF WING W2

PROJECT NO. B-4110
 DURHAM COUNTY
 STATION: 17+41.66 -L-

SHEET 2 OF 3

STATE OF NORTH CAROLINA
 DEPARTMENT OF TRANSPORTATION
 RALEIGH

SUBSTRUCTURE
 END BENT 1



DRAWN BY: SWANC@PE DATE: 10/05
 CHECKED BY: M. A. ALLEN DATE: 12/05

24-JAN-2006 15:05
 NA:\Structures\swance\Microstation\B4110.sd.E*.01.dgn
 maallen

REVISIONS						SHEET NO.
NO.	BY:	DATE:	NO.	BY:	DATE:	S-18
1			3			TOTAL SHEETS
2			4			27