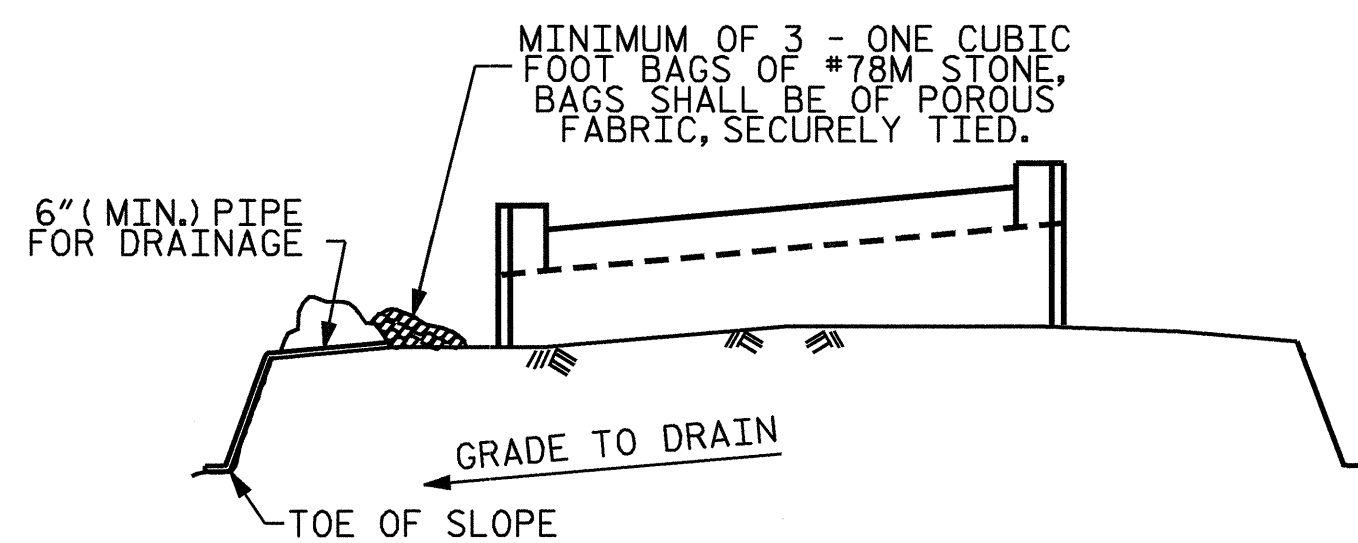


LATERAL GUIDE DETAILS

BAR TYPES					BILL OF MATERIAL						
					END BENT 1						
BAR	NO.	SIZE	TYPE	LENGTH	WEIGHT	BAR	NO.	SIZE	TYPE	LENGTH	WEIGHT
B1	8	9	1	49'-2"	1337	H1	8	5	2	9'-9"	81
B2	2	5	STR	46'-8"	97	H2	8	5	2	9'-7"	80
B3	8	4	STR	24'-7"	131	H3	8	5	3	9'-7"	79
B4	12	4	STR	2'-8"	21	H4	8	5	3	9'-9"	81
						H5	4	4	STR	3'-4"	9
						H6	4	4	STR	3'-6"	9
D1	26	8	STR	2'-3"	156	K1	12	4	STR	24'-7"	197
						S1	42	5	4	3'-7"	157
						S2	42	5	5	7'-10"	343
						S3	22	4	6	6'-6"	96
						U1	40	4	7	3'-8"	98
						U2	4	4	7	4'-8"	12
						V1	80	5	STR	5'-0"	417
						V2	28	5	STR	6'-9"	197
						V3	28	5	STR	6'-8"	195
					REINFORCING STEEL TOTAL LBS.	3793					
					CLASS A CONCRETE						
					POUR #1 CAP & LOWER PORTION OF WINGS	14.6 CU. YD.					
					POUR #2 BACKWALL & UPPER PORTION OF WINGS	8.5 CU. YD.					
					POUR #3 LATERAL GUIDE	0.1 CU. YD.					
					TOTAL CLASS A CONCRETE	23.2 CU. YD.					
					HP 12 X 53 STEEL PILES						
					NO. 11 LIN. FEET	110					
					STEEL PILE POINTS						
						NO. 11					

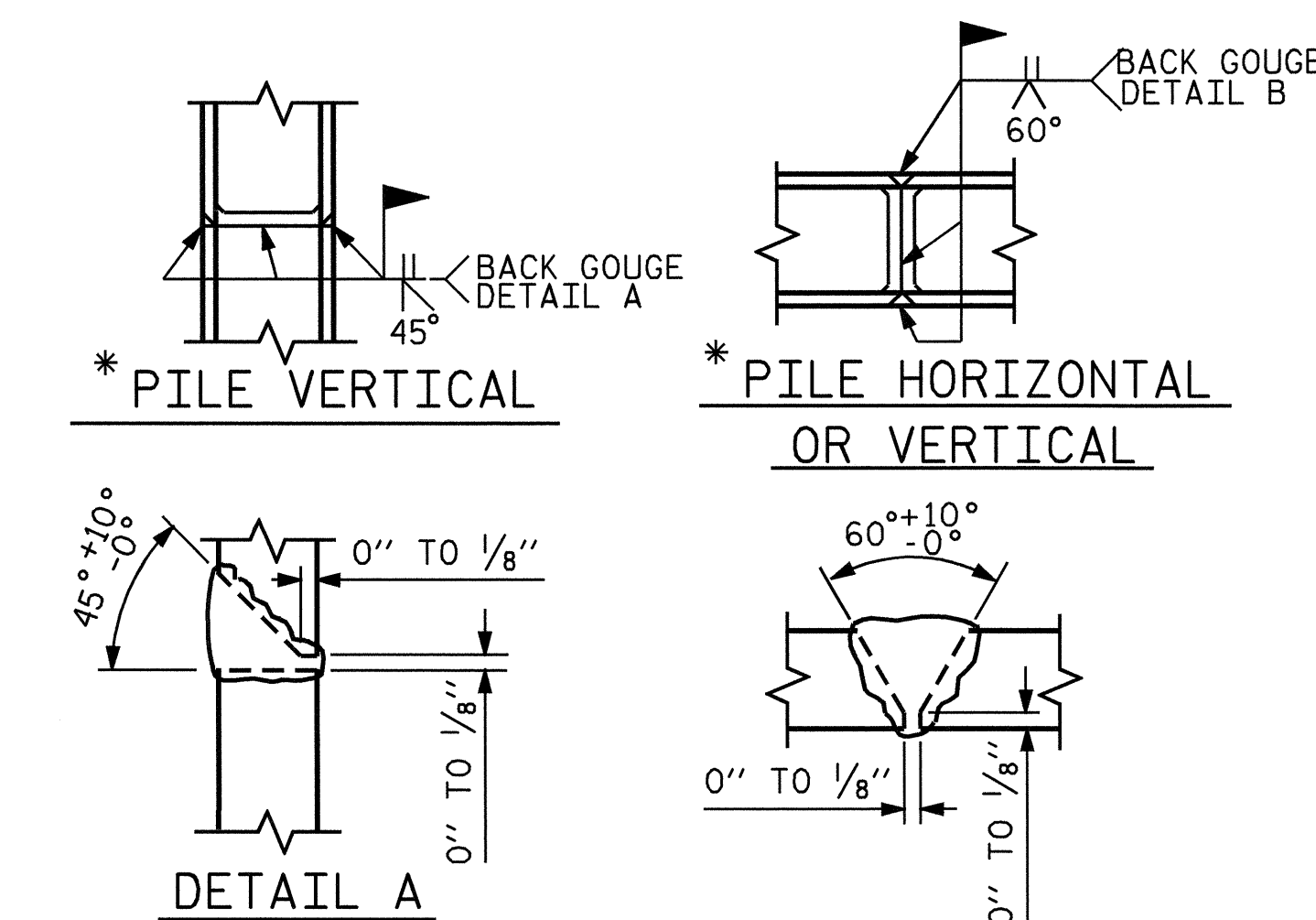


BAGGED STONE AND PIPE SHALL BE PLACED IMMEDIATELY AFTER COMPLETION OF END BENT EXCAVATION. PIPE MAY BE EITHER CONCRETE, CORRUGATED STEEL, CORRUGATED ALUMINUM ALLOY, OR CORRUGATED PLASTIC. PERFORATED PIPE WILL NOT BE ALLOWED.

BAGGED STONE SHALL REMAIN IN PLACE UNTIL THE ENGINEER DIRECTS THAT IT BE REMOVED. THE CONTRACTOR SHALL REMOVE AND DISPOSE OF SILT ACCUMULATIONS AT BAGGED STONE WHEN SO DIRECTED BY THE ENGINEER. BAGS SHALL BE REMOVED AND REPLACED WHENEVER THE ENGINEER DETERMINES THAT THEY HAVE DETERIORATED AND LOST THEIR EFFECTIVENESS.

NO SEPARATE PAYMENT WILL BE MADE FOR THIS WORK AND THE ENTIRE COST OF THIS WORK SHALL BE INCLUDED IN THE UNIT CONTRACT PRICE BID FOR THE SEVERAL PAY ITEMS.

TEMPORARY DRAINAGE AT END BENT



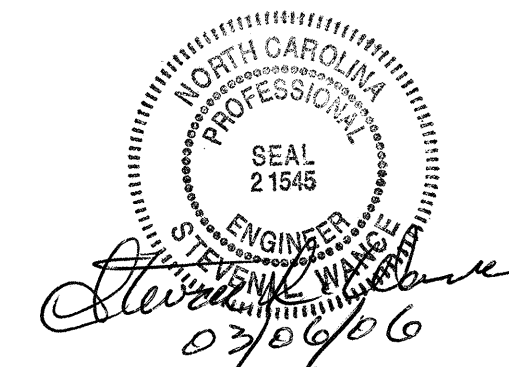
PILE SPLICE DETAILS

PROJECT NO. B-4110
 DURHAM COUNTY
 STATION: 17+41.66 -L-

SHEET 3 OF 3

STATE OF NORTH CAROLINA
 DEPARTMENT OF TRANSPORTATION
 RALEIGH

SUBSTRUCTURE
 END BENT 1



DRAWN BY: SWANc@PE DATE: 11/05
 CHECKED BY: M. A. ALLEN DATE: 12/05

REVISIONS						SHEET NO.
NO.	BY:	DATE:	NO.	BY:	DATE:	S-19
1			3			TOTAL SHEETS 27
2			4			