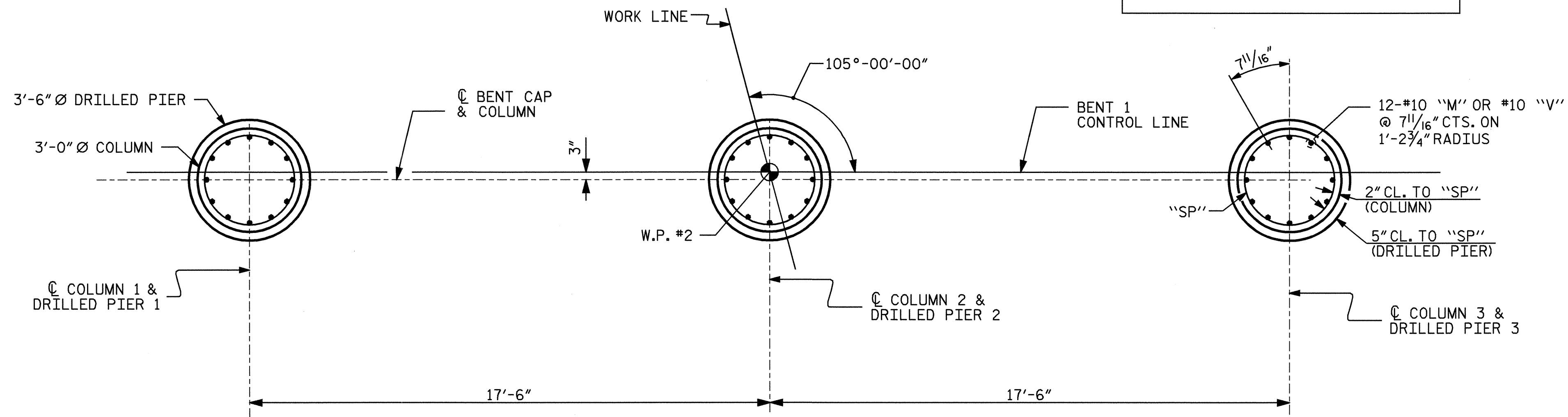
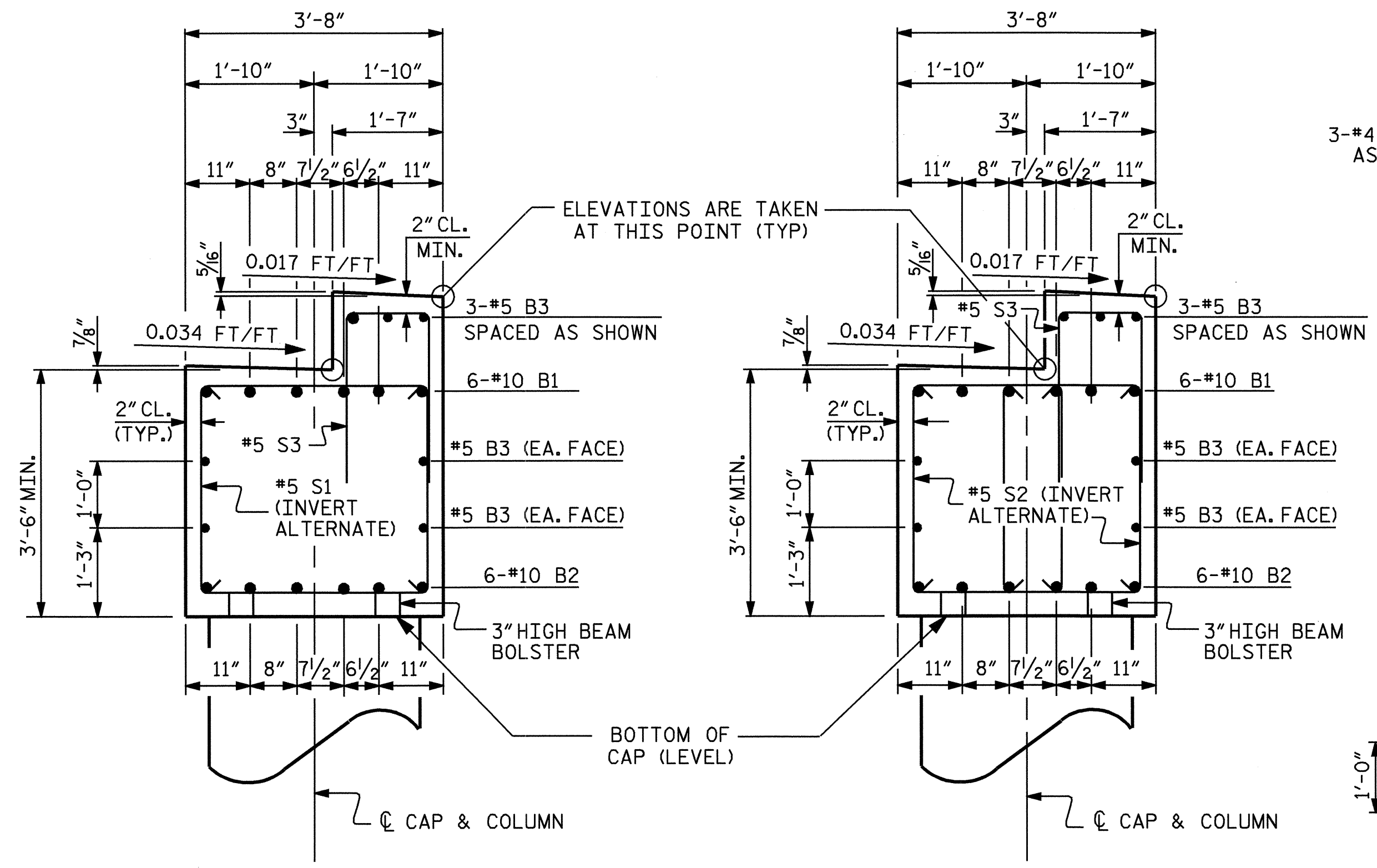


NOTE:
6-#10V1 & 6-#10V2 IN EACH COLUMN
M1 & M2 IN DRILLED PIER 1
M3 & M4 IN DRILLED PIER 2
M5 & M6 IN DRILLED PIER 3



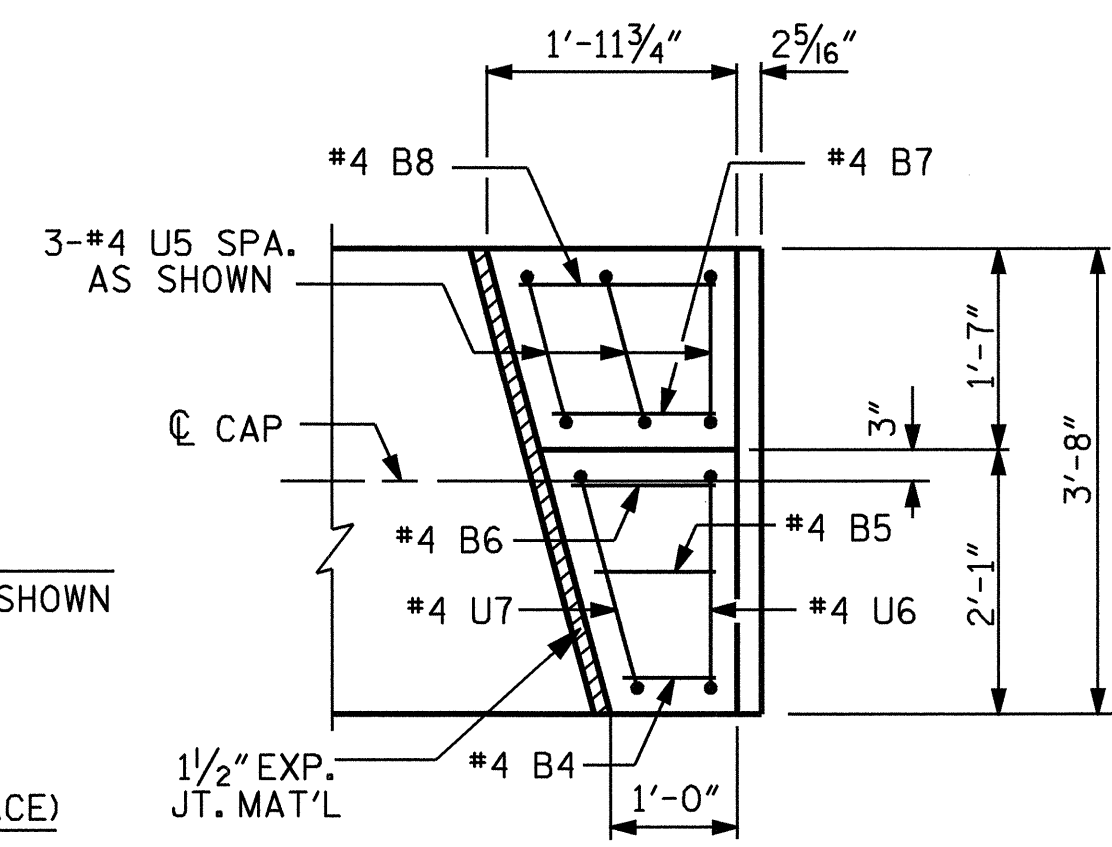
PLAN OF COLUMNS AND DRILLED PIERS

(ALL DIMENSIONS AND REINFORCING STEEL ARE TYPICAL FOR ALL COLUMNS AND DRILLED PIERS)

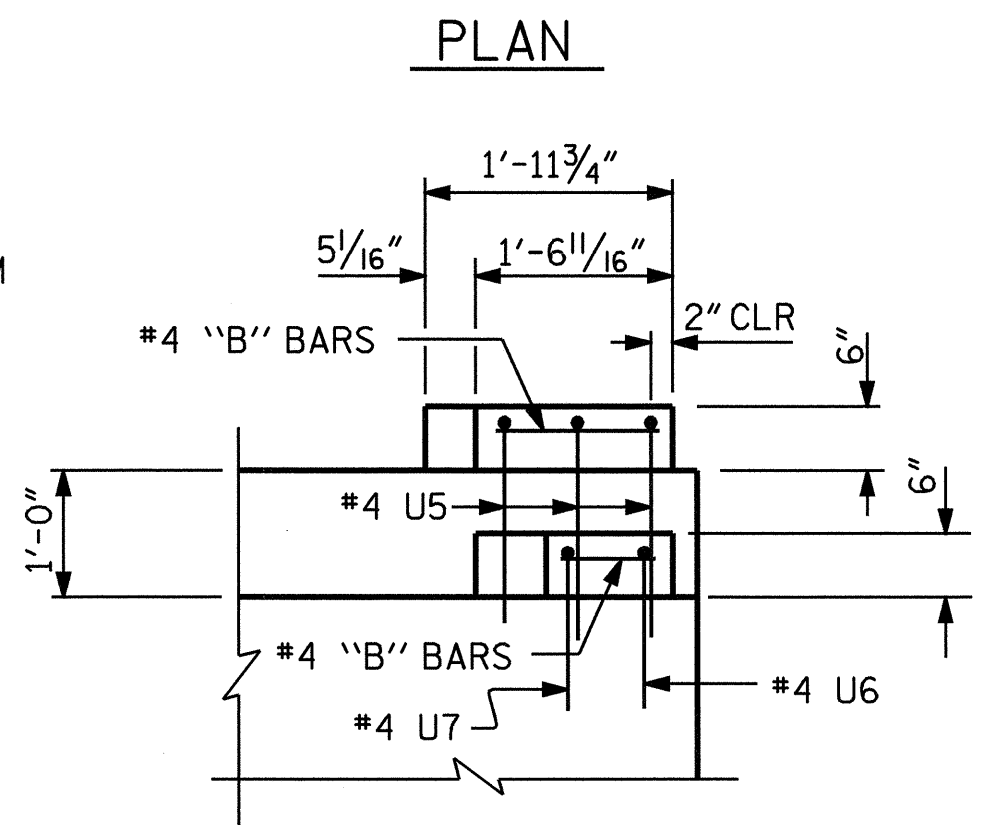


SECTION A-A

SECTION B-B

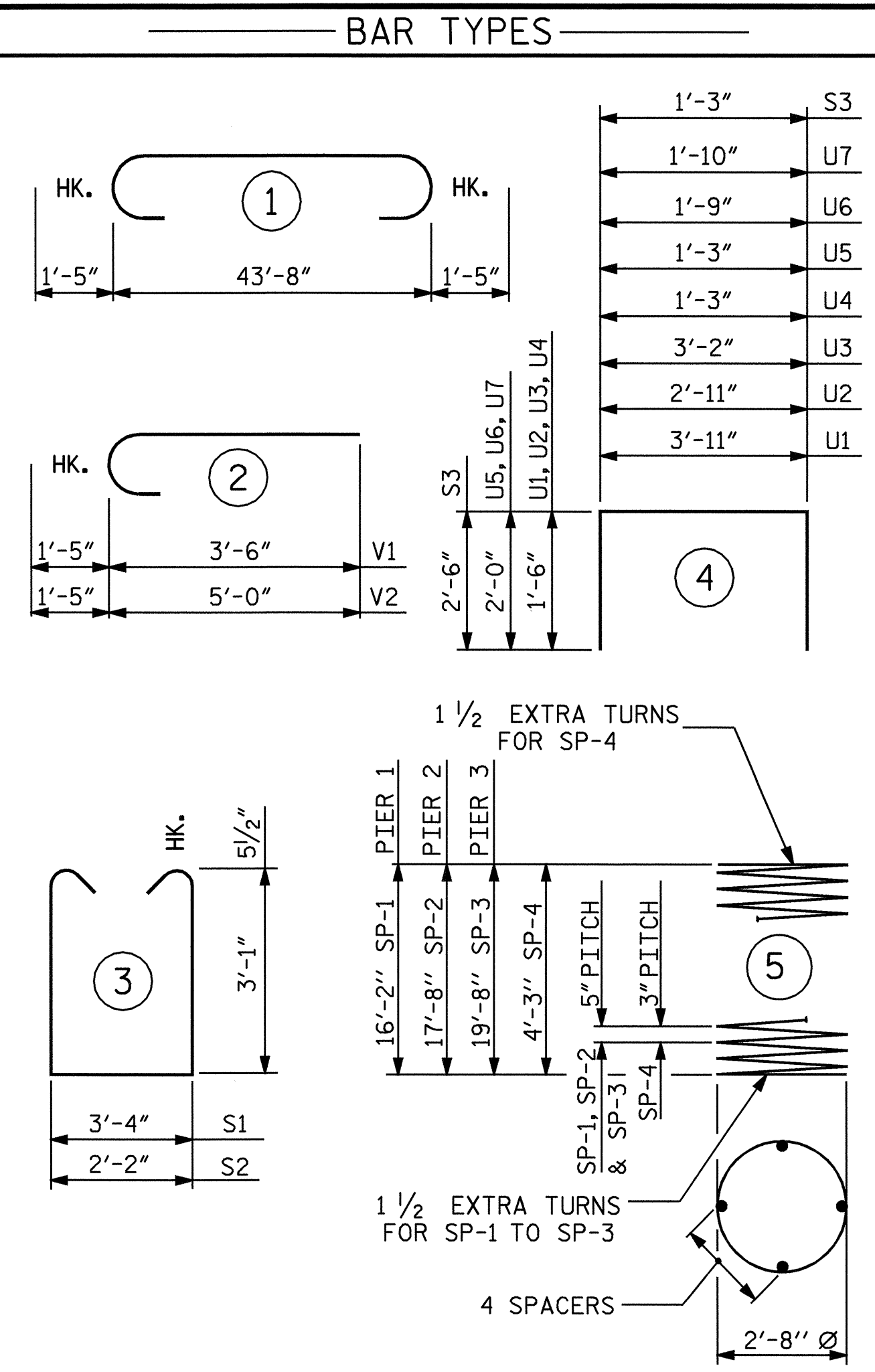


PLAN



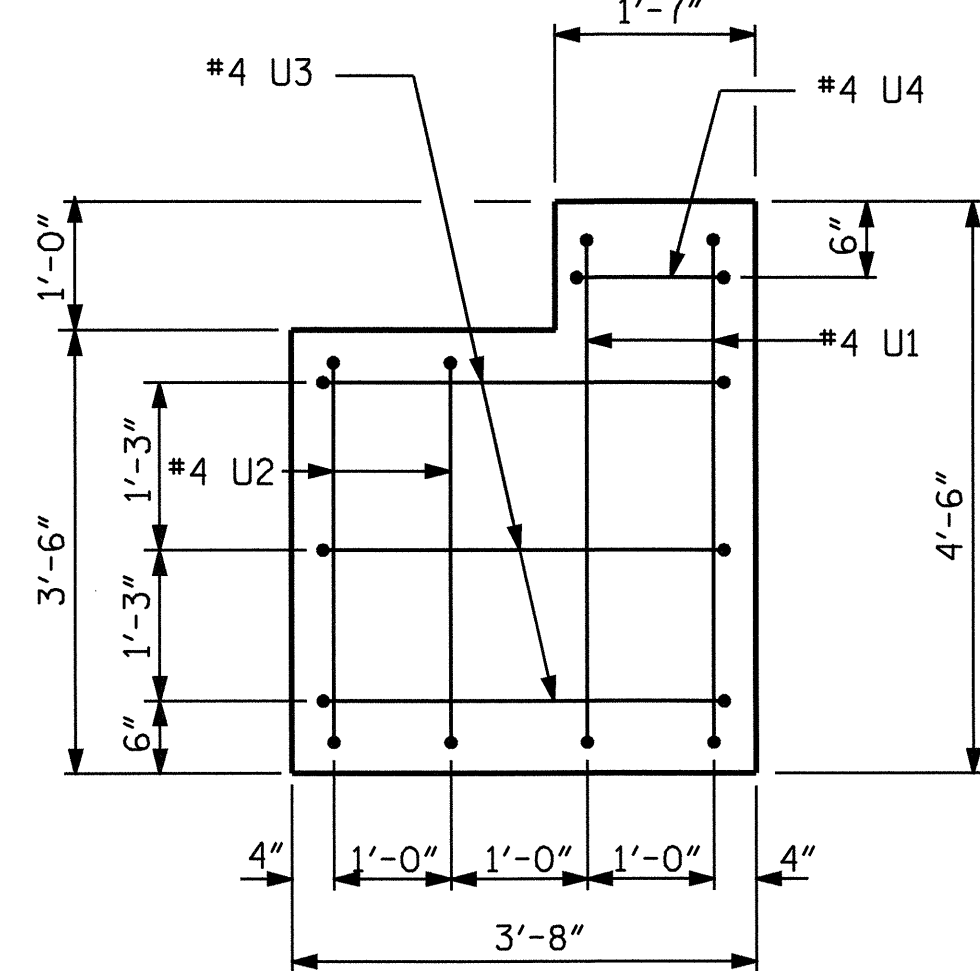
ELEVATION

LATERAL GUIDE
RIGHT SIDE SHOWN, MIRROR FOR LEFT SIDE



ALL BAR DIMENSIONS ARE OUT TO OUT.

* THE SP-1, SP-2, SP-3 SPIRAL REINFORCING STEEL SHALL BE W31 OR D-31 COLD DRAWN WIRE OR #5 PLAIN OR DEFORMED BAR.
* THE SP-4 SPIRAL REINFORCING STEEL SHALL BE W20 OR D-20 COLD DRAWN WIRE OR #4 PLAIN OR DEFORMED BAR.



RIGHT END VIEW

RIGHT END SHOWN, MIRROR FOR LEFT END

BILL OF MATERIAL

BENT 1					
BAR NO.	SIZE	TYPE	LENGTH	WEIGHT	
B1	6	10	1	46'-6"	1201
B2	6	10	STR	43'-8"	1127
B3	7	5	STR	43'-8"	319
B4	2	4	STR	9"	1
B5	2	4	STR	1'-0"	1
B6	2	4	STR	1'-2"	2
B7	2	4	STR	1'-4"	2
B8	2	4	STR	1'-7"	2
D1	52	8	STR	2'-3"	312
M1	6	10	STR	20'-6"	529
M2	6	10	STR	22'-0"	568
M3	6	10	STR	22'-0"	568
M4	6	10	STR	23'-6"	607
M5	6	10	STR	24'-0"	620
M6	6	10	STR	25'-6"	658
S1	36	5	3	10'-5"	391
S2	36	5	3	9'-3"	347
S3	44	5	3	6'-3"	287
U1	4	4	4	6'-11"	18
U2	4	4	4	5'-11"	16
U3	6	4	4	6'-2"	25
U4	2	4	4	4'-3"	6
U5	6	4	4	5'-3"	21
U6	2	4	4	5'-9"	8
U7	2	4	4	5'-10"	8
V1	18	10	2	4'-11"	381
V2	18	10	2	6'-5"	497
REINFORCING STEEL				LBS.	8,522
SP-1	1	*	5	332'-1"	346
SP-2	1	*	5	361'-9"	377
SP-3	1	*	5	401'-4"	419
SP-4	3	**	5	151'-9"	304
SPIRAL COLUMN REINFORCING STEEL				LBS.	1,446

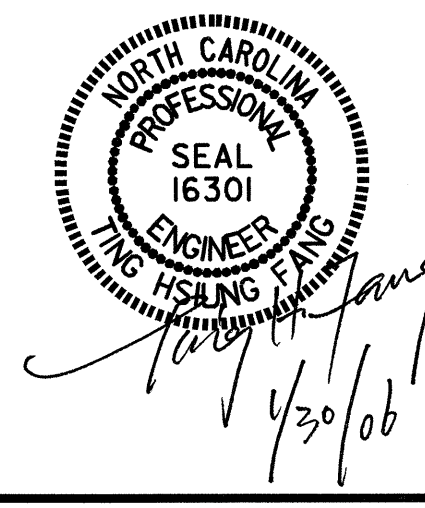
CLASS 'A' CONCRETE		
POUR #2 (COLUMNS)	CU. YD.	3.2
POUR #3 (BENT CAP)	CU. YD.	23.7
POUR #4 (LATERAL GUIDES)	CU. YD.	0.2
TOTAL:	CU. YD.	27.1

DRILLED PIER QUANTITIES		
DRILLED PIER CONCRETE		
POUR #1 (DRILLED PIERS)	C.Y.	19.4
3'-6" Ø DRILLED PIERS IN SOIL, LIN. FT.	=	22.5
3'-6" Ø DRILLED PIERS NOT IN SOIL, LIN. FT.	=	32.0
CROSSHOLE SONIC LOGGING	=	1
CSL TUBES	LN. FT.	218.0

PROJECT NO. B-4110
DURHAM COUNTY
STATION: 17+41.66 -L-
SHEET 2 OF 2

STATE OF NORTH CAROLINA
DEPARTMENT OF TRANSPORTATION
RALEIGH

SUBSTRUCTURE BENT 1



REVISIONS					SHEET NO.
NO.	BY:	DATE:	NO.	BY:	DATE:
1			3		
2			4		
					TOTAL SHEETS: 27