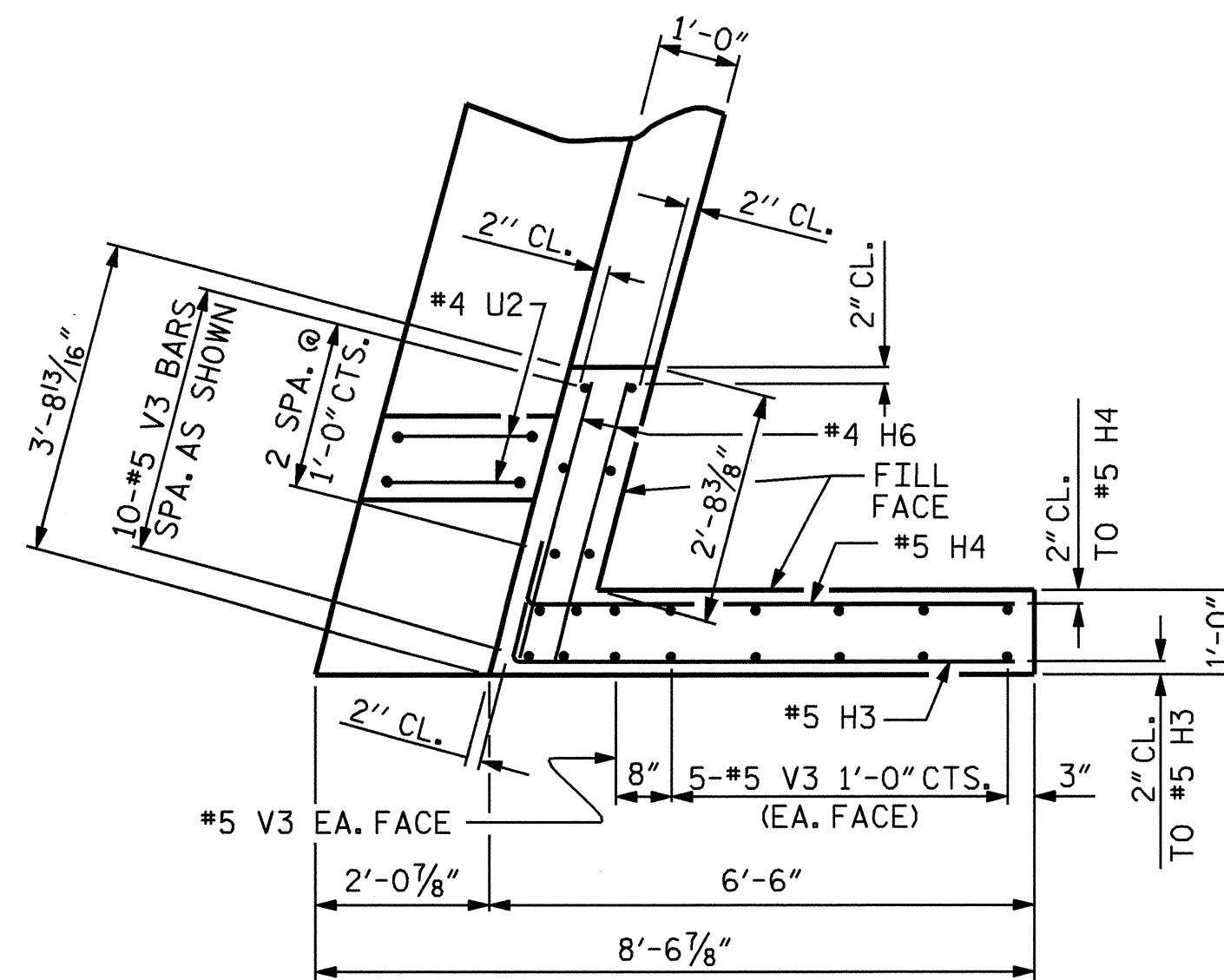
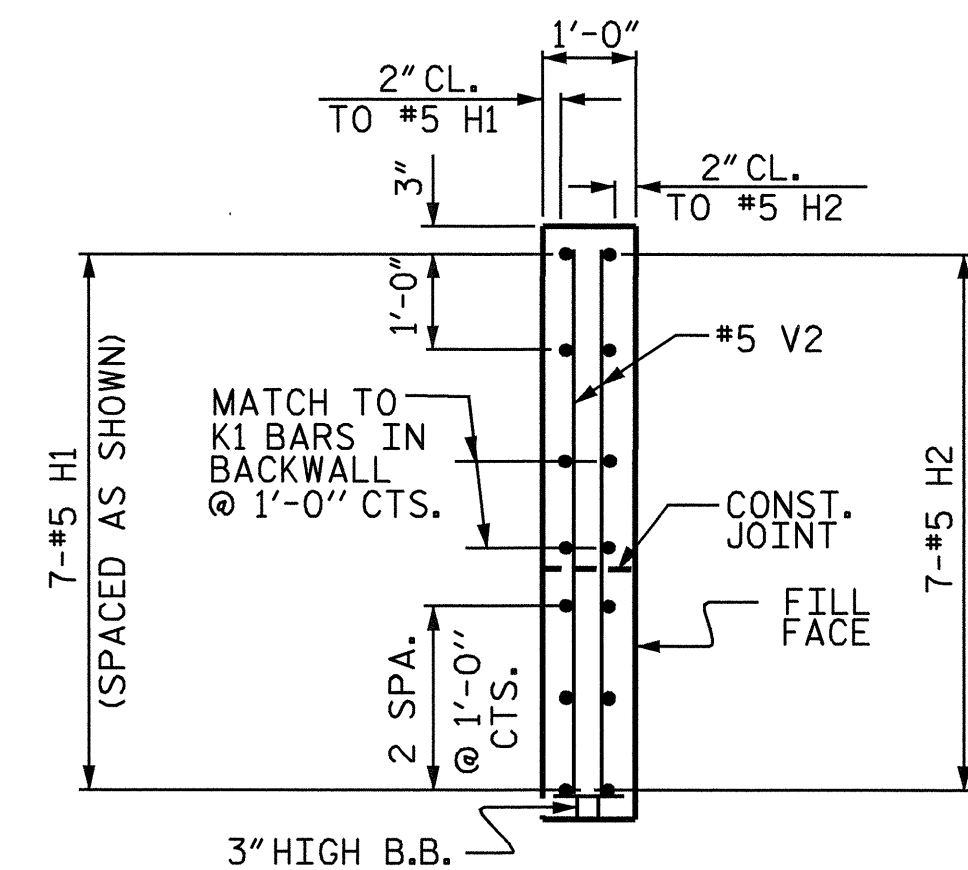


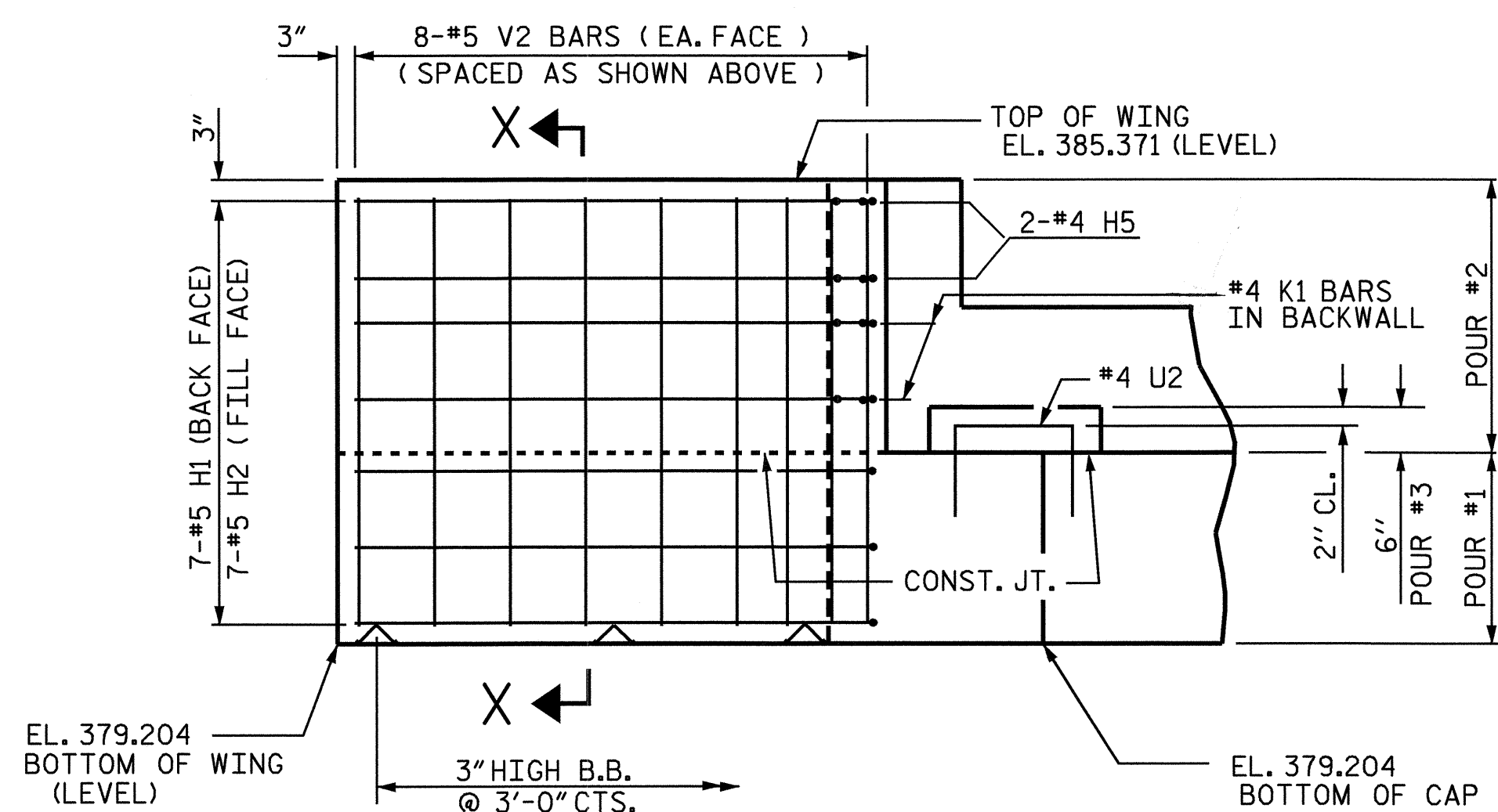
PLAN OF WING W1



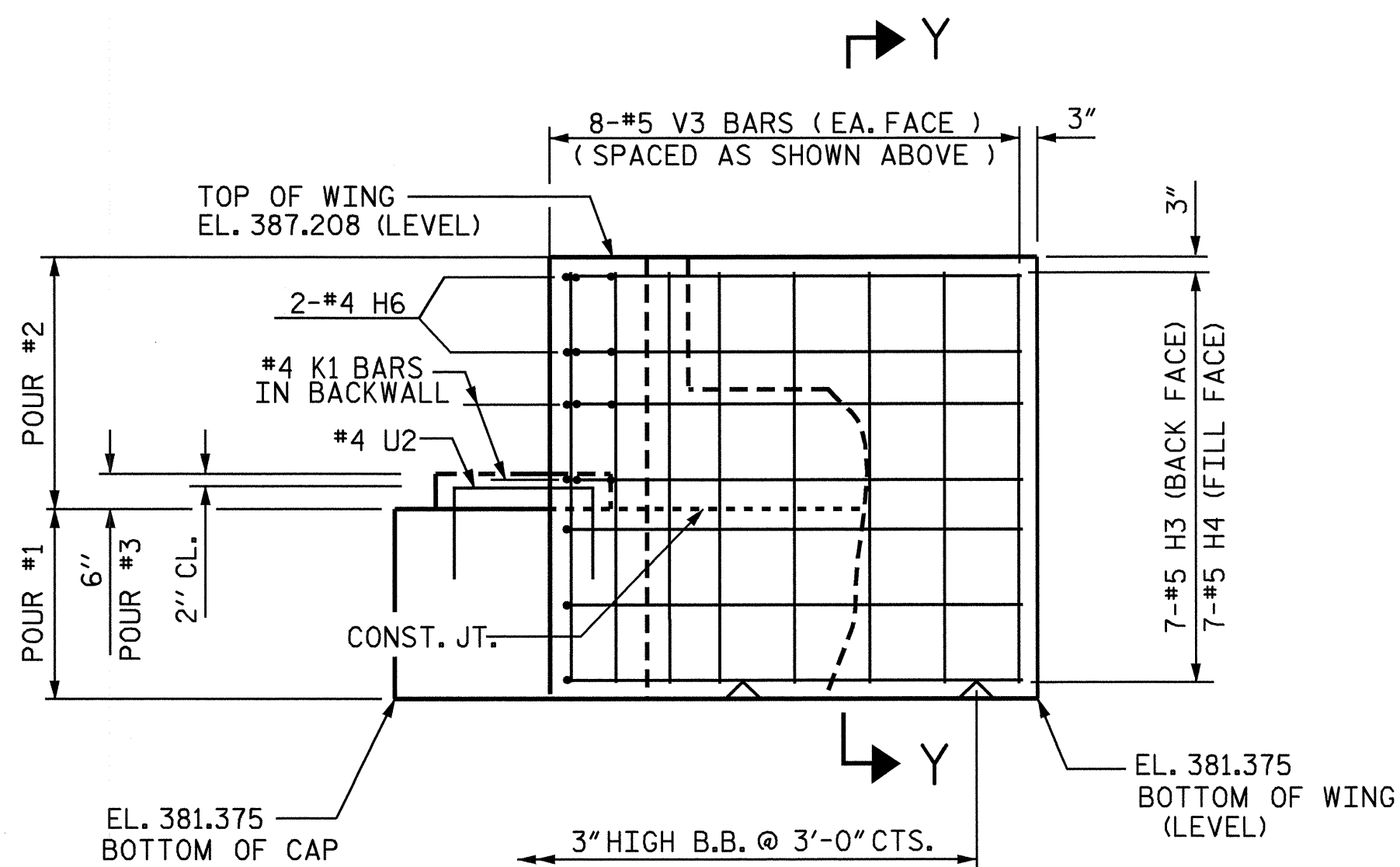
PLAN OF WING W2



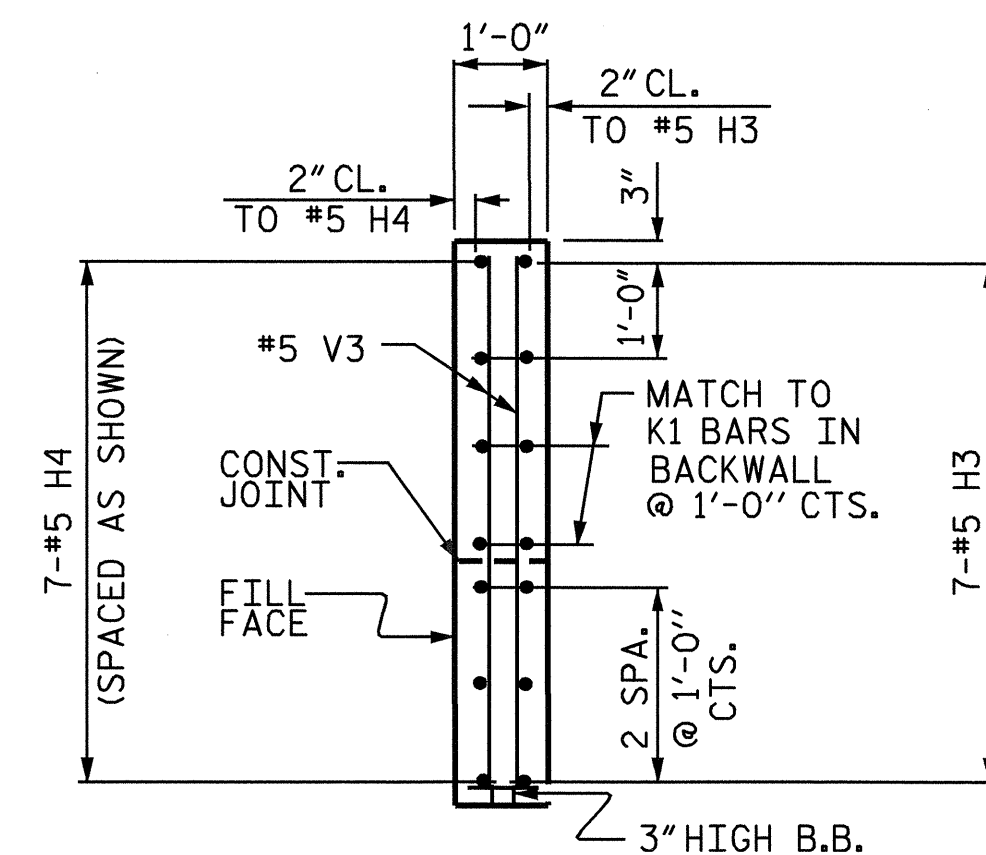
SECTION X-X



ELEVATION OF WING W1



ELEVATION OF WING W2



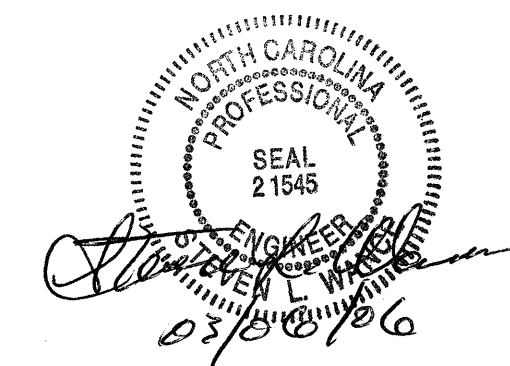
SECTION Y-Y

PROJECT NO. B-4110  
 DURHAM COUNTY  
 STATION: 17+41.66 -L-

SHEET 2 OF 3

STATE OF NORTH CAROLINA  
 DEPARTMENT OF TRANSPORTATION  
 RALEIGH

SUBSTRUCTURE  
 END BENT 2



DRAWN BY: SWANcPE DATE: 10/05  
 CHECKED BY: M.A. ALLEN DATE: 12/05

24-JAN-2006 15:05  
 N:\Structures\swance\Microstation\B4110\_sd.E\*.01.dgn  
 mallen

| REVISIONS |     |       |     |     |       | SHEET NO.    |
|-----------|-----|-------|-----|-----|-------|--------------|
| NO.       | BY: | DATE: | NO. | BY: | DATE: | S-23         |
| 1         |     |       | 3   |     |       | TOTAL SHEETS |
| 2         |     |       | 4   |     |       | 27           |