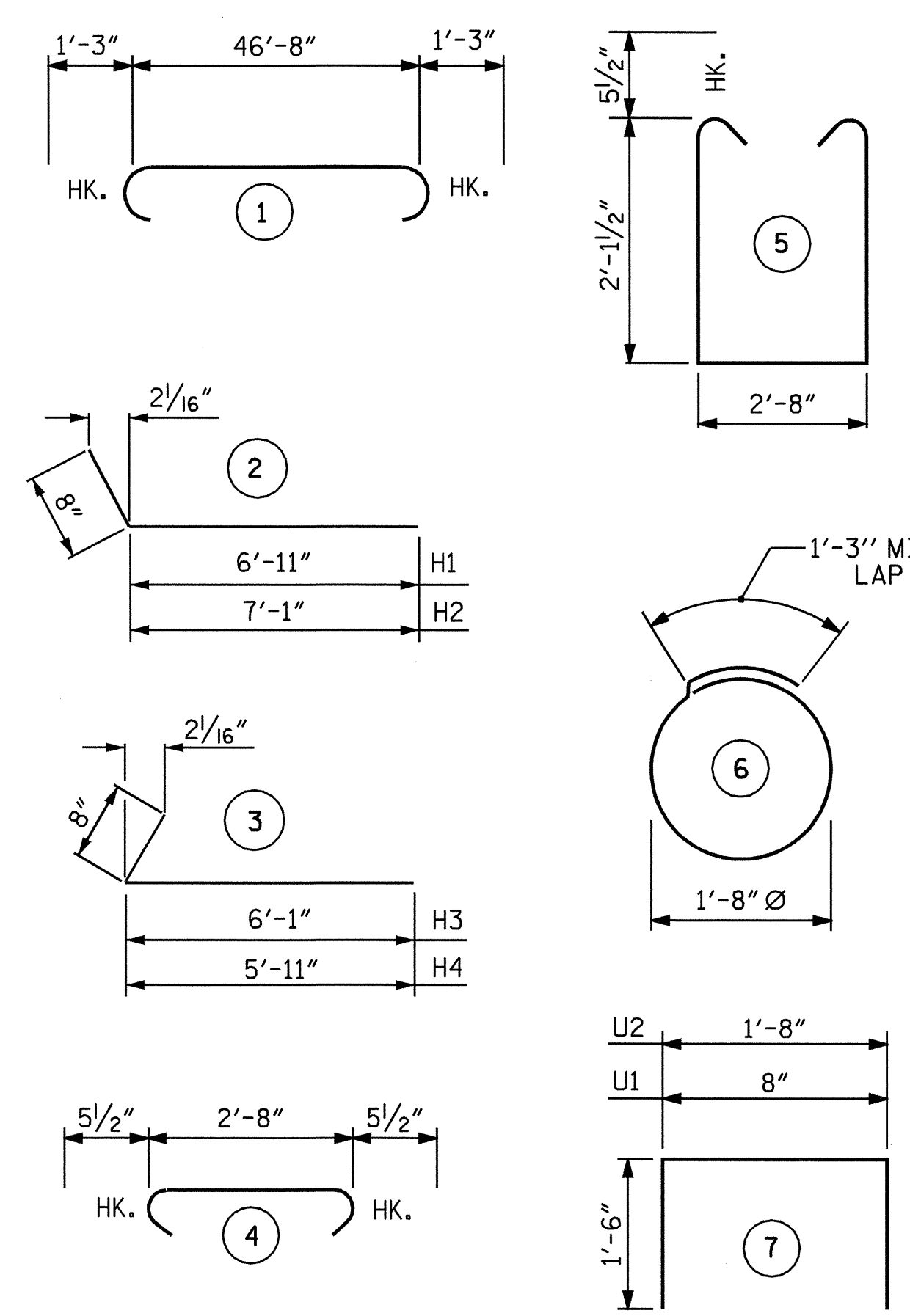


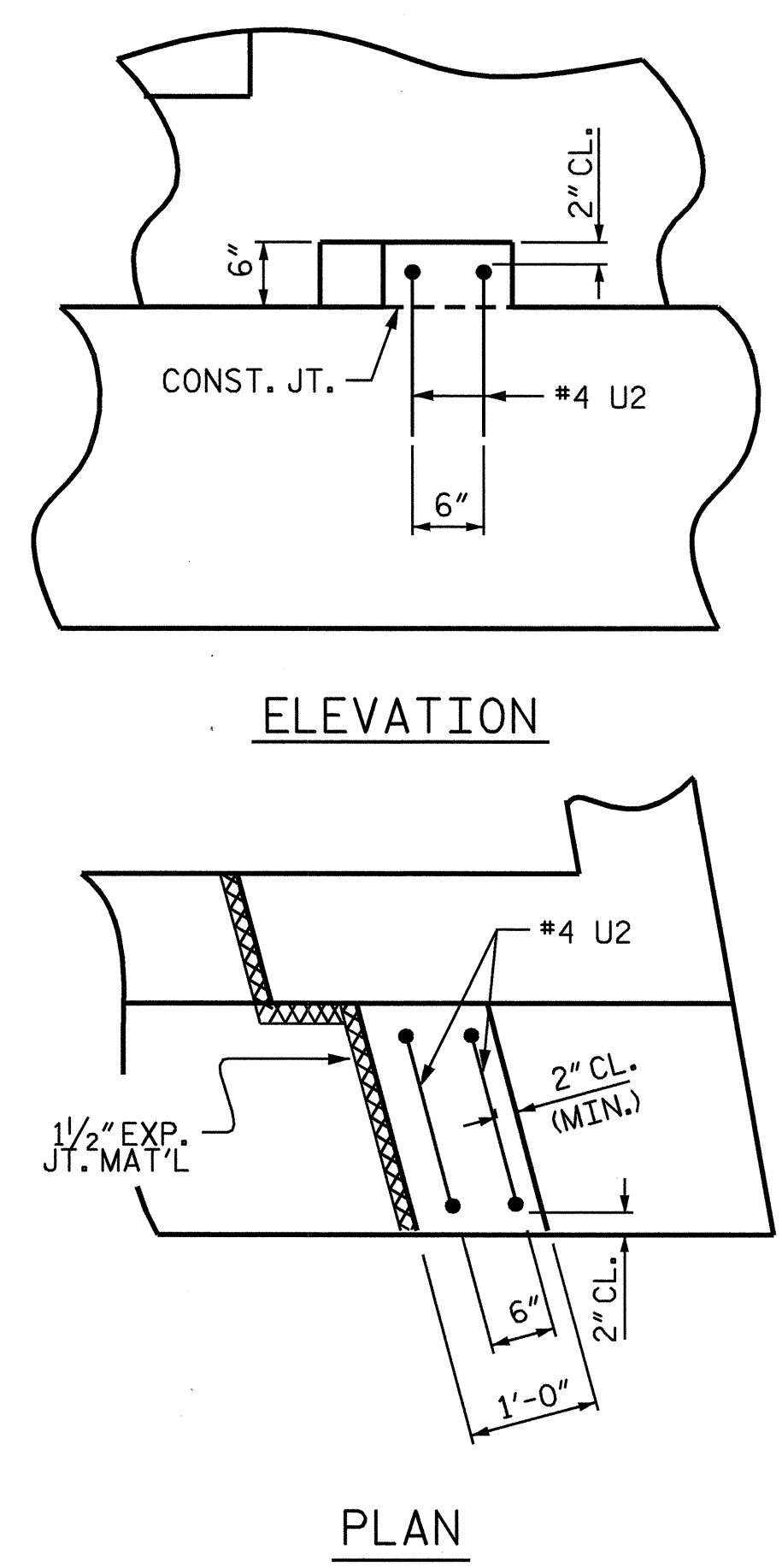
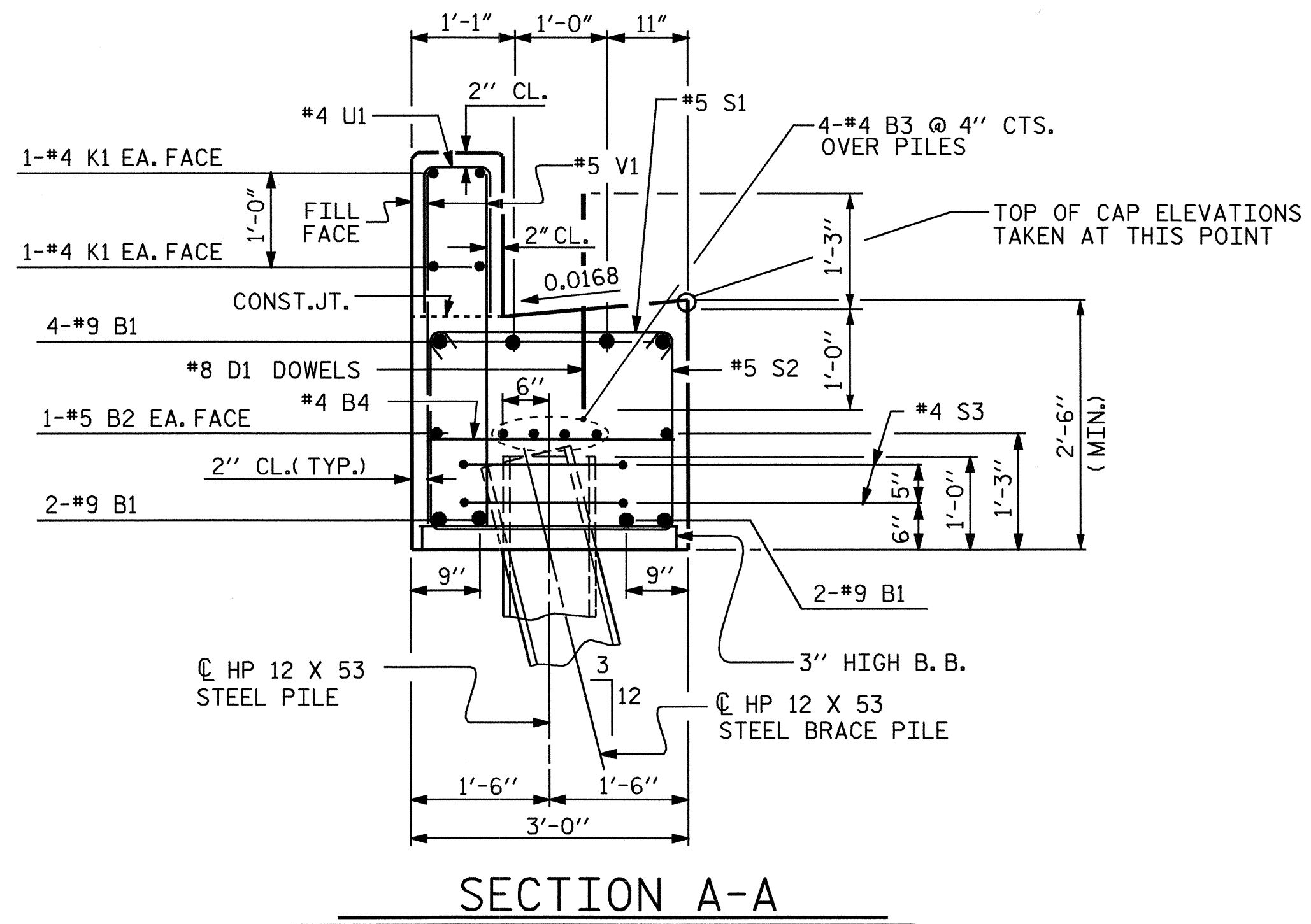
BAR TYPES



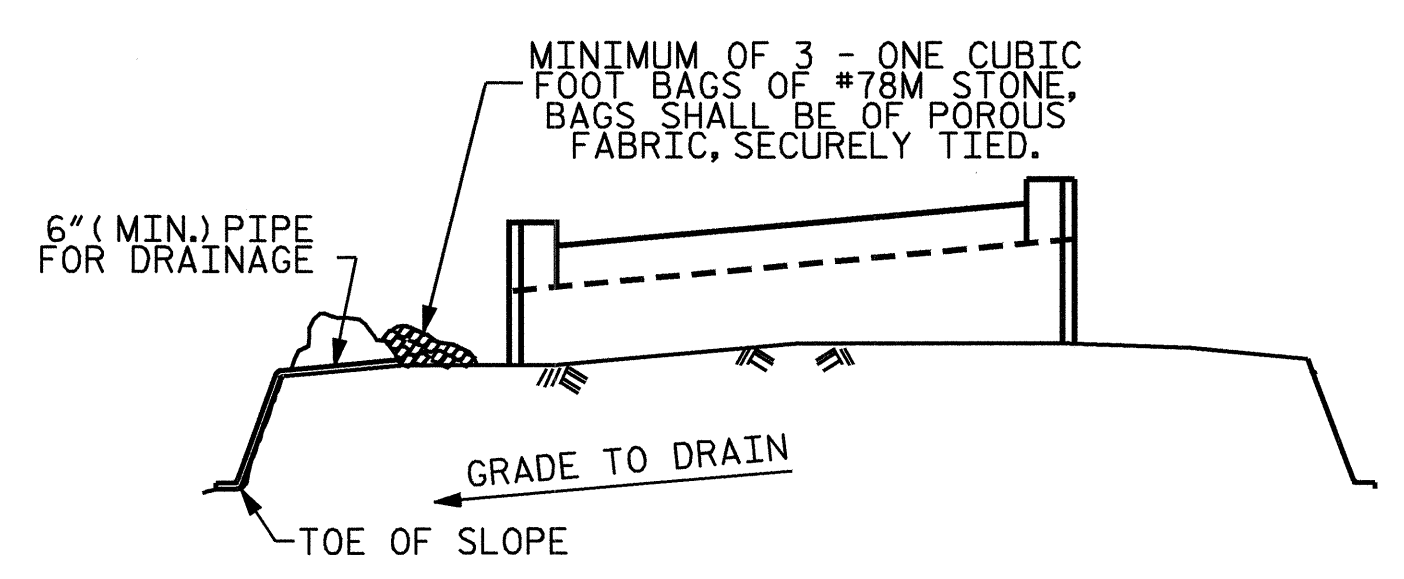
ALL BAR DIMENSIONS ARE OUT TO OUT.

BILL OF MATERIAL

END BENT 2					
BAR	NO.	SIZE	TYPE	LENGTH	WEIGHT
B1	8	9	1	49'-2"	1337
B2	2	5	STR	46'-8"	97
B3	8	4	STR	24'-7"	131
B4	12	4	STR	2'-8"	21
D1	26	8	STR	2'-3"	156
H1	7	5	2	7'-7"	55
H2	7	5	2	7'-9"	57
H3	7	5	3	6'-9"	49
H4	7	5	3	6'-7"	48
H5	4	4	STR	3'-6"	9
H6	4	4	STR	3'-4"	9
K1	8	4	STR	24'-7"	131
S1	47	5	4	3'-7"	176
S2	47	5	5	7'-10"	384
S3	20	4	6	6'-6"	87
U1	40	4	7	3'-8"	98
U2	4	4	7	4'-8"	12
V1	80	5	STR	3'-11"	327
V2	24	5	STR	5'-8"	142
V3	22	5	STR	5'-6"	126
REINFORCING STEEL TOTAL LBS. 3452					
CLASS A CONCRETE					
POUR #1 CAP & LOWER PORTION OF WINGS				14.1 CU. YD.	
POUR #2 BACKWALL & UPPER PORTION OF WINGS				5.1 CU. YD.	
POUR #3 LATERAL GUIDE				0.1 CU. YD.	
TOTAL CLASS A CONCRETE				19.3 CU. YD.	
HP 12 X 53 STEEL PILES					
NO. 10		LIN. FEET		100	
STEEL PILE POINTS					
				NO. 10	



LATERAL GUIDE DETAILS

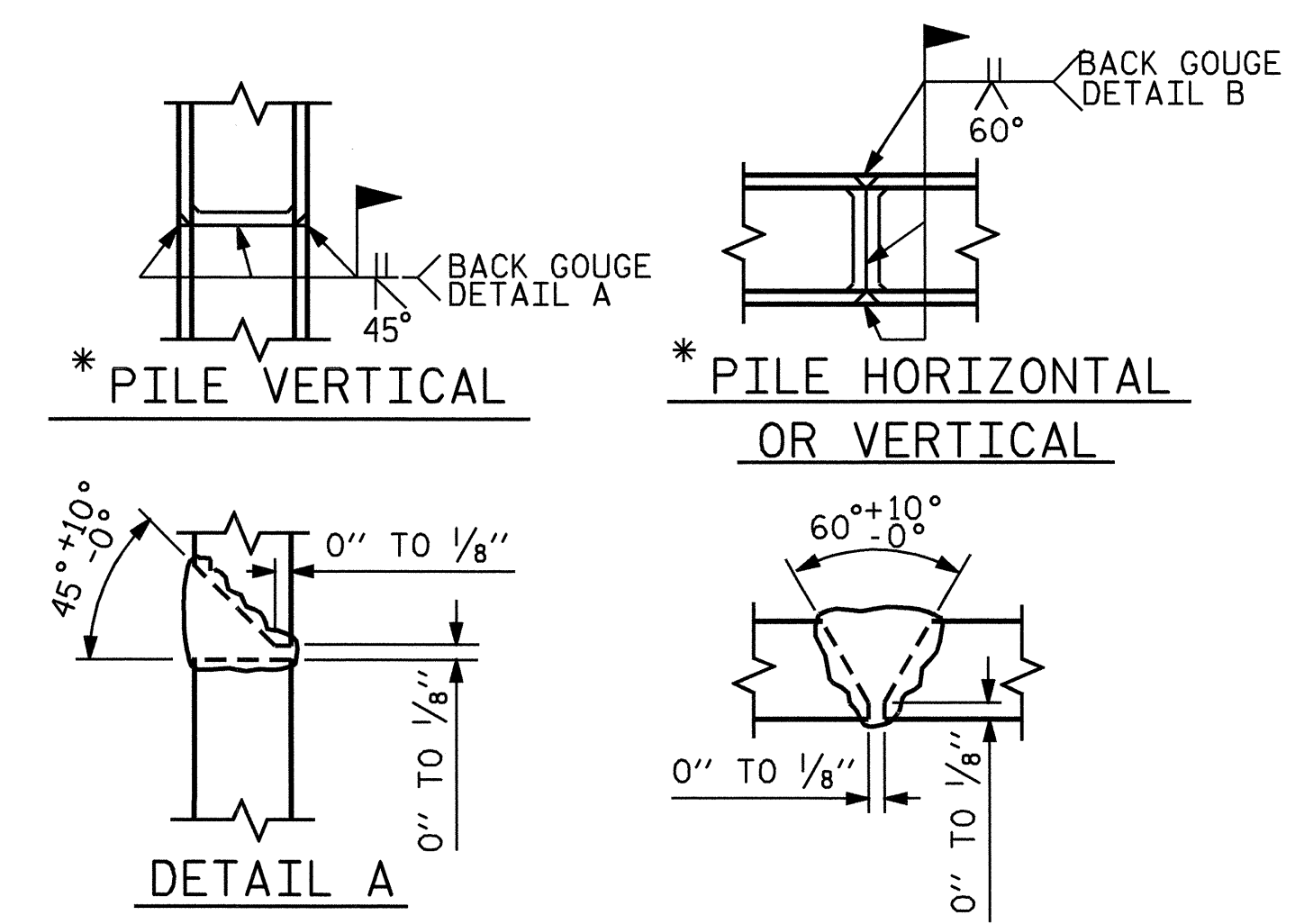


BAGGED STONE AND PIPE SHALL BE PLACED IMMEDIATELY AFTER COMPLETION OF END BENT EXCAVATION. PIPE MAY BE EITHER CONCRETE, CORRUGATED STEEL, CORRUGATED ALUMINUM ALLOY, OR CORRUGATED PLASTIC. PERFORATED PIPE WILL NOT BE ALLOWED.

BAGGED STONE SHALL REMAIN IN PLACE UNTIL THE ENGINEER DIRECTS THAT IT BE REMOVED. THE CONTRACTOR SHALL REMOVE AND DISPOSE OF SILT ACCUMULATIONS AT BAGGED STONE WHEN SO DIRECTED BY THE ENGINEER. BAGS SHALL BE REMOVED AND REPLACED WHENEVER THE ENGINEER DETERMINES THAT THEY HAVE DETERIORATED AND LOST THEIR EFFECTIVENESS.

NO SEPARATE PAYMENT WILL BE MADE FOR THIS WORK AND THE ENTIRE COST OF THIS WORK SHALL BE INCLUDED IN THE UNIT CONTRACT PRICE BID FOR THE SEVERAL PAY ITEMS.

TEMPORARY DRAINAGE AT END BENT

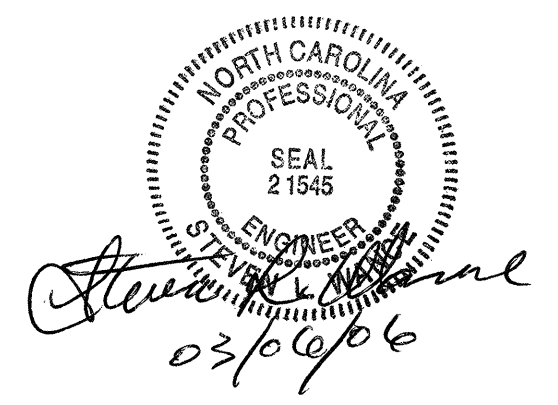


PILE SPLICE DETAILS

PROJECT NO. B-4110
 DURHAM COUNTY
 STATION: 17+41.66 -L-
 SHEET 3 OF 3

STATE OF NORTH CAROLINA
 DEPARTMENT OF TRANSPORTATION
 RALEIGH

SUBSTRUCTURE
 END BENT 2



REVISIONS						SHEET NO.
NO.	BY:	DATE:	NO.	BY:	DATE:	S-24
1			3			TOTAL SHEETS
2			4			27

DRAWN BY: SWANCOPE DATE: 11/05
 CHECKED BY: M. A. ALLEN DATE: 12/05