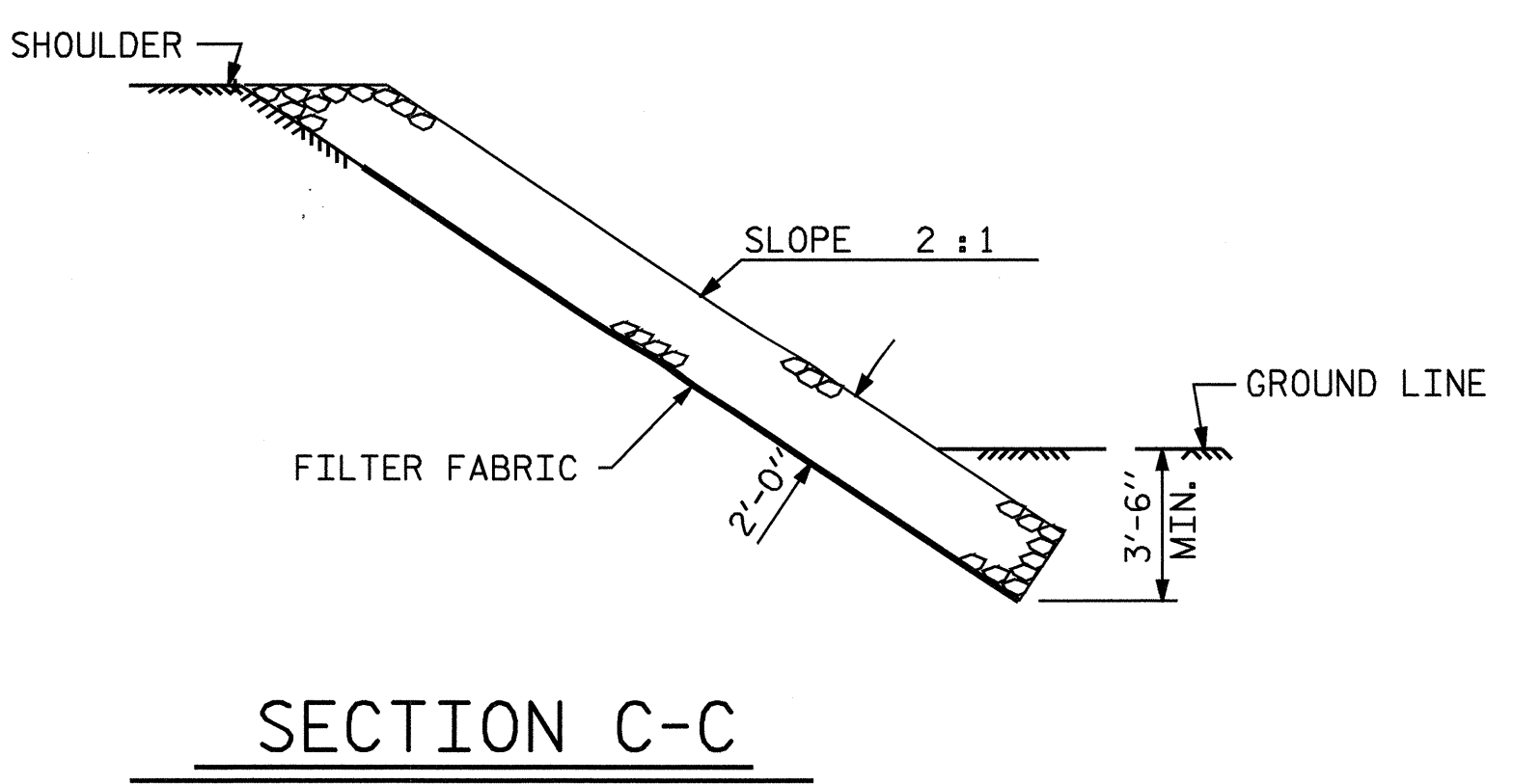
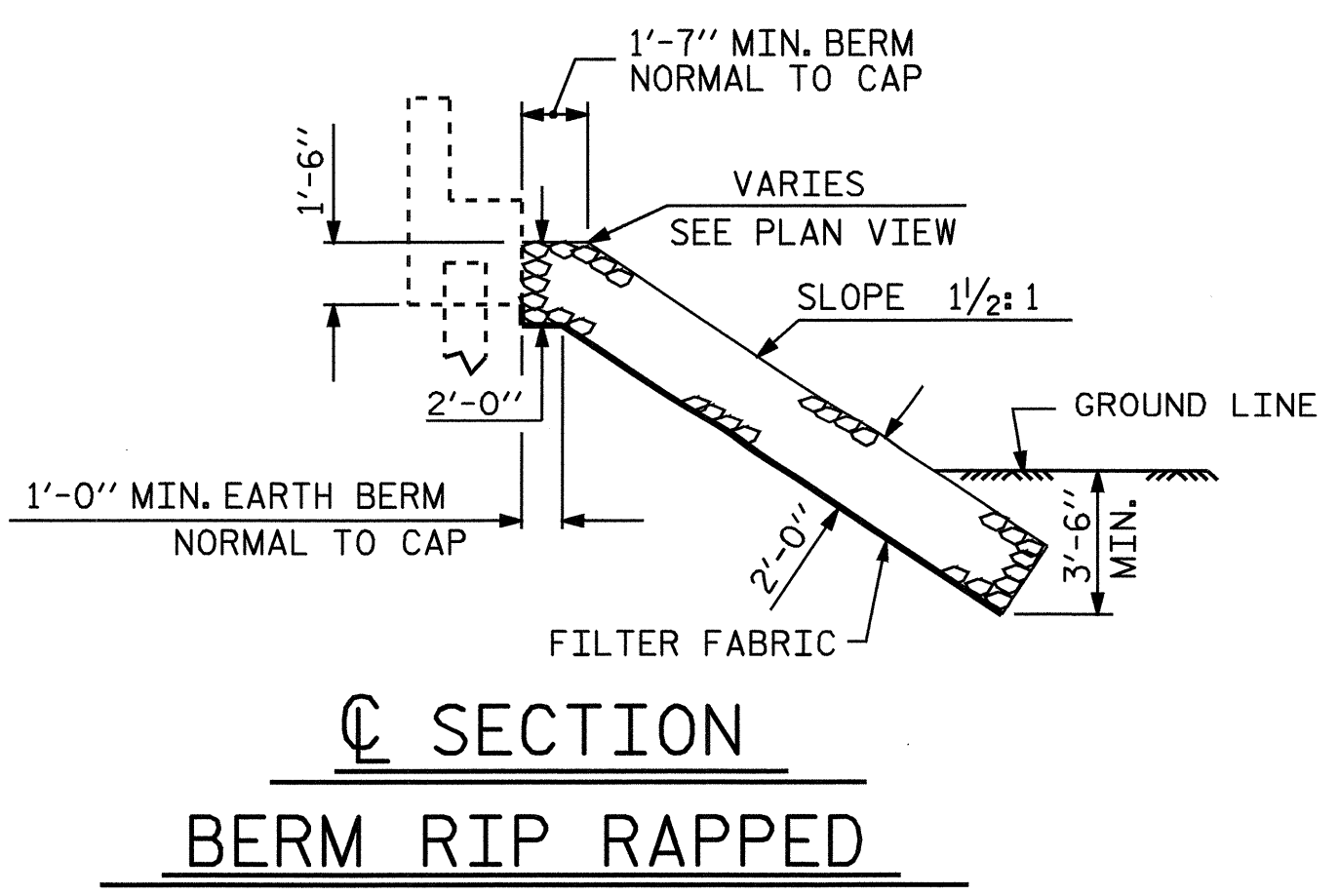


PLAN

FILTER FABRIC SHALL BE PLACED UNDER ENTIRE AREA OF RIP RAP.



ESTIMATED QUANTITIES		
BRIDGE @ STA. 17+41.66-L-	PLAIN RIP RAP CLASS II	FILTER FABRIC FOR DRAINAGE
	TONS	SQUARE YARDS
END BENT 1	504	560
END BENT 2	216	240

PROJECT NO. B-4110
 DURHAM COUNTY
 STATION: 17+41.66 -L-

STATE OF NORTH CAROLINA DEPARTMENT OF TRANSPORTATION RALEIGH					
STANDARD RIP RAP DETAILS					
REVISIONS					SHEET NO.
NO.	BY:	DATE:	NO.	BY:	DATE:
1			3		
2			4		
					TOTAL SHEETS 27

NORTH CAROLINA PROFESSIONAL SEAL 16301 ENGINEER TING HSUNG FANG
 T. Jang
 3/06/06

03-MAR-2006 09:03 J:\Structures\FINAL_PLANS\b4110_sd.01_rr.dgn tfang

ASSEMBLED BY : N. O. TRAN DATE : 8-4-05
 CHECKED BY : S. M. RASHIDI DATE : 10-24-05
 DRAWN BY : FCJ 2/88 REV. 7/17/98 REK/RWW
 CHECKED BY : ARB 8/88 REV. 8/16/99 RWW/LES
 REV. 10/17/00 RWW/LES