

AT END BENT 1 PLAN AT END BENT 2

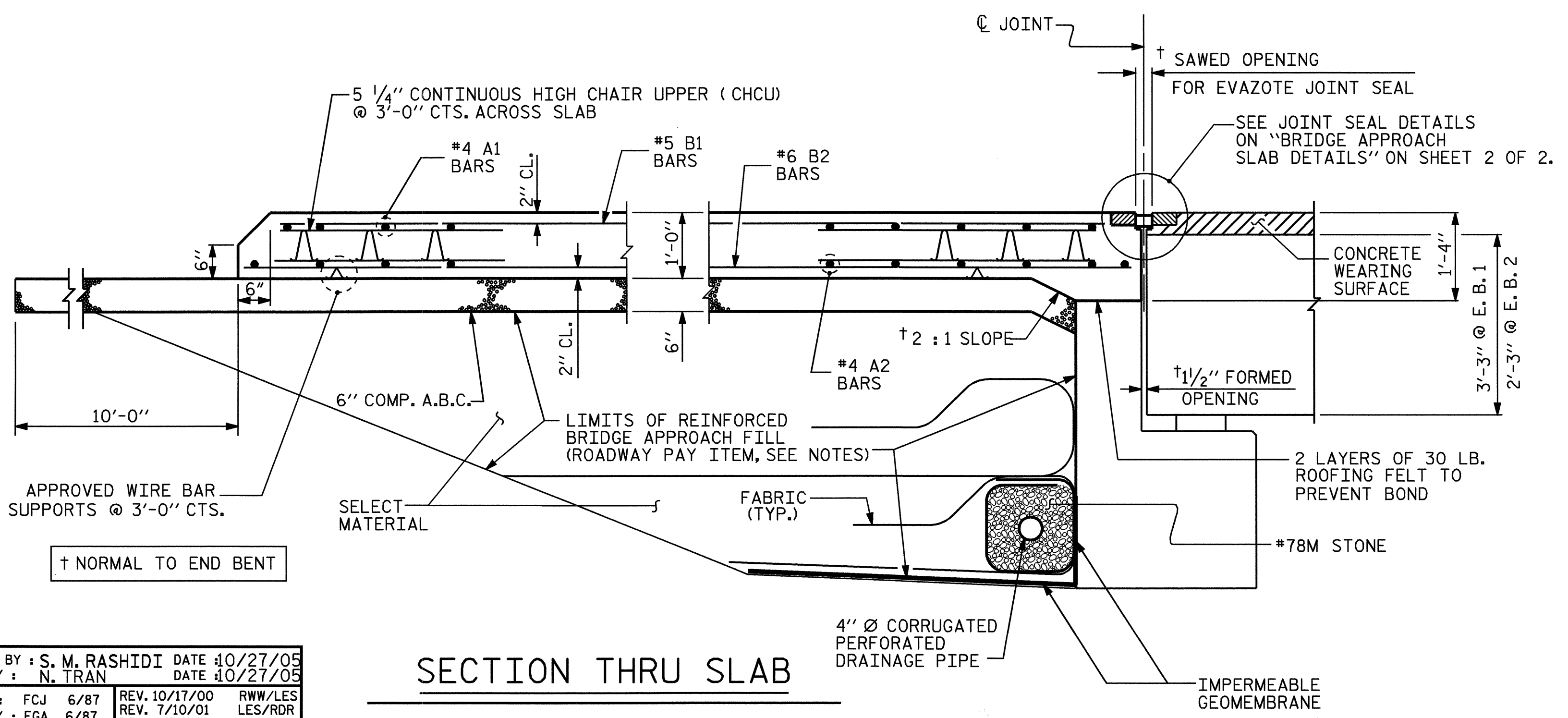
BILL OF MATERIAL					
FOR ONE APPROACH SLAB (2 REQ'D)					
BAR NO.	NO.	SIZE	TYPE	LENGTH	WEIGHT
*A1	50	#4	STR	20'-10"	696
A2	50	#4	STR	20'-9"	693
*B1	76	#5	STR	24'-1"	1909
B2	76	#6	STR	24'-7"	2806
REINFORCING STEEL				LBS.	3499
*EPOXY COATED REINFORCING STEEL				LBS.	2605
CLASS AA CONCRETE				C. Y.	36.7

BAR SPLICE CHART	
BAR	SPLICE LENGTH
#4 A1	2'-0"
#4 A2	1'-9"

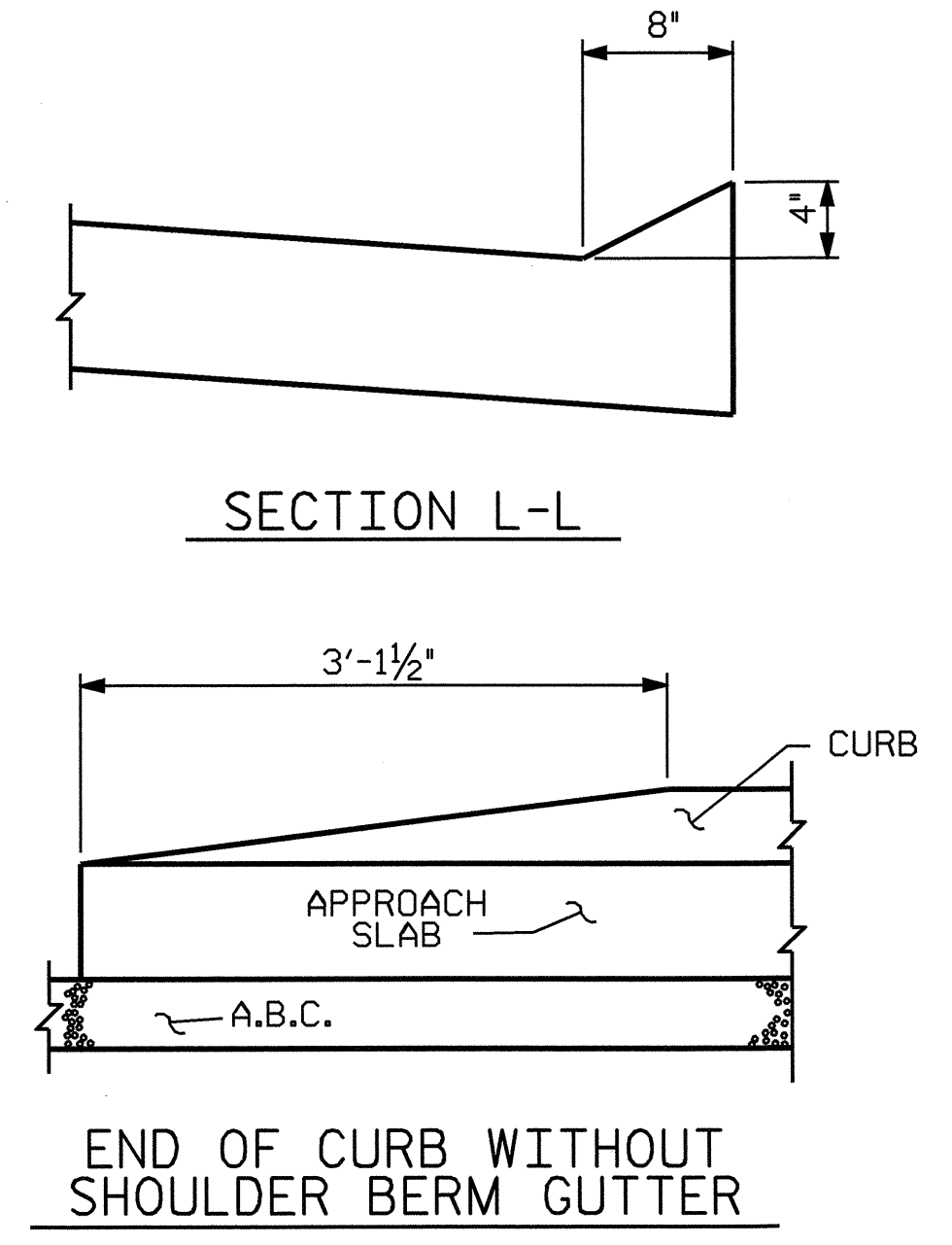
ELASTOMERIC CONCRETE	
END BENT NO.	ELASTOMERIC CONCRETE * (CU. FT.)
1	6.4
2	6.4
TOTAL	12.8

\* BASED ON MINIMUM BLOCKOUT SHOWN.

THE EFFECT OF THE HORIZONTAL CURVE SHALL BE NEGLECTED IN THE CONSTRUCTION OF THE APPROACH SLABS AT END BENTS NO. 1 AND NO. 2

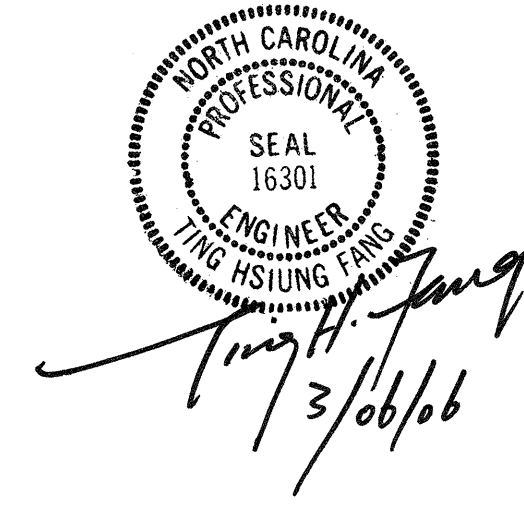


SECTION THRU SLAB



CURB DETAILS

ASSEMBLED BY : S. M. RASHIDI DATE 10/27/05  
 CHECKED BY : N. TRAN DATE 10/27/05  
 DRAWN BY : FCJ 6/87 REV. 10/17/00 RWW/LES  
 CHECKED BY : EGA 6/87 REV. 7/10/01 LES/RDR  
 REV. 5/7/03R RWW/JTE



PROJECT NO. B-4110  
 DURHAM COUNTY  
 STATION: 17+41.66 -L-

SHEET 1 OF 2

REVISIONS						SHEET NO.	
NO.	BY:	DATE:	NO.	BY:	DATE:	S-26	
1			3			TOTAL SHEETS 27	
2			4				

STD. NO. BAS7