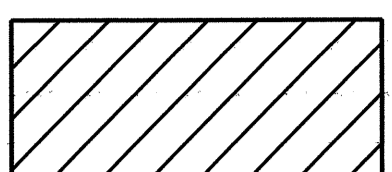
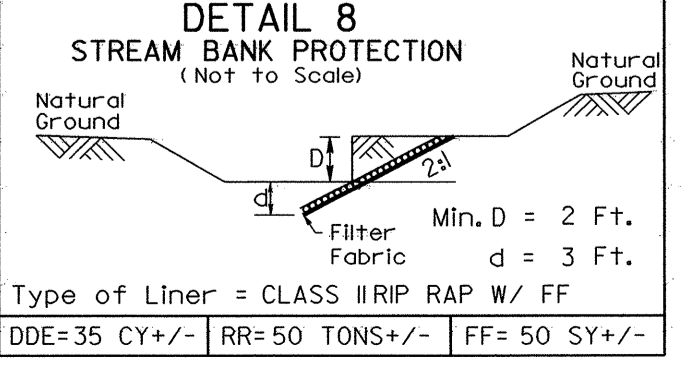
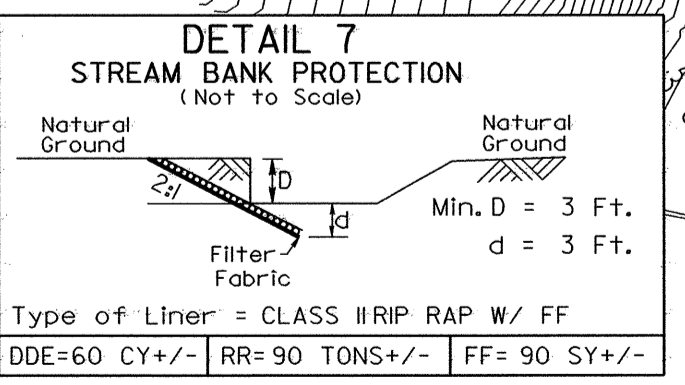
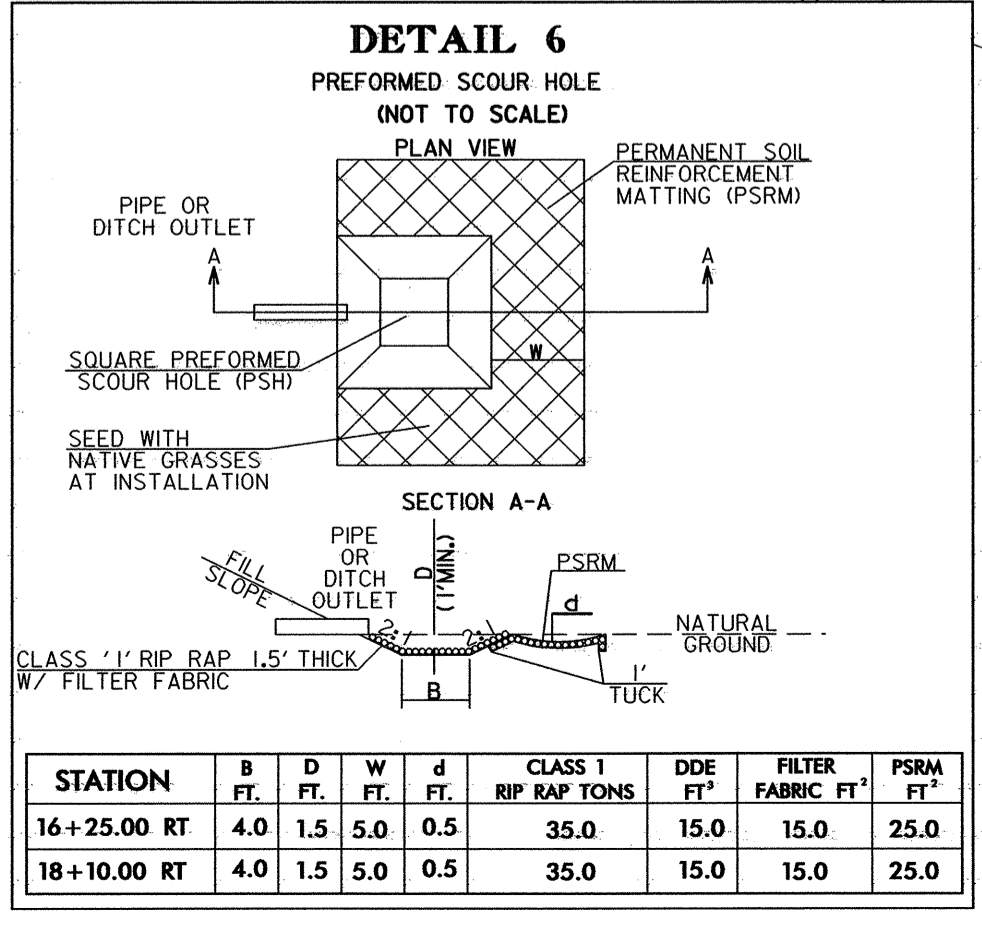
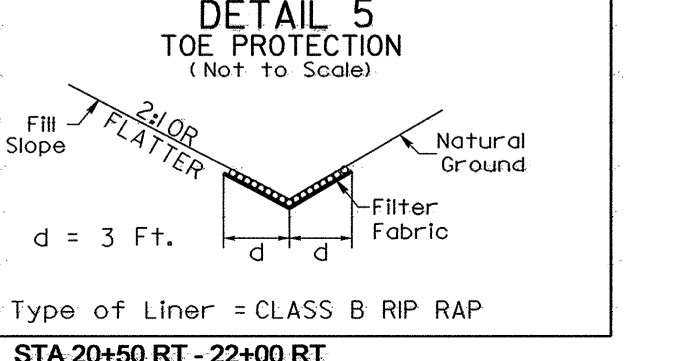
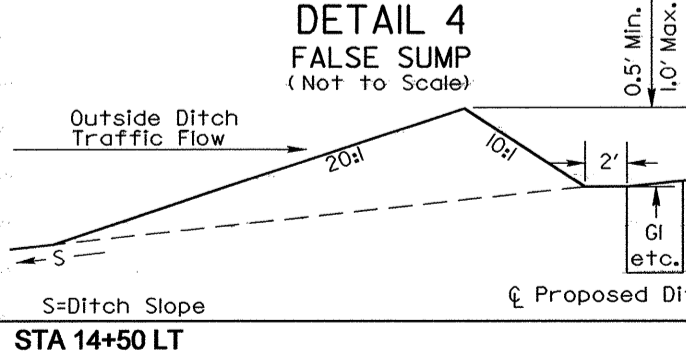
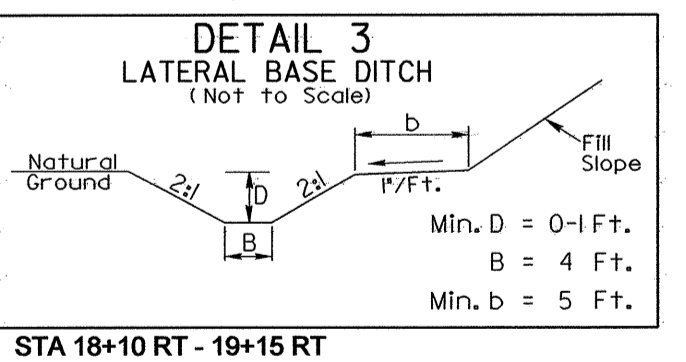
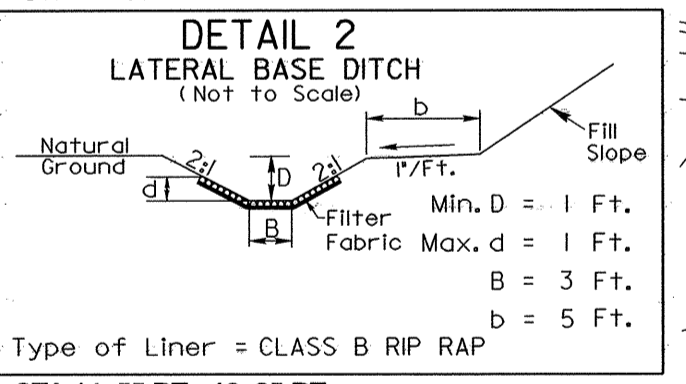
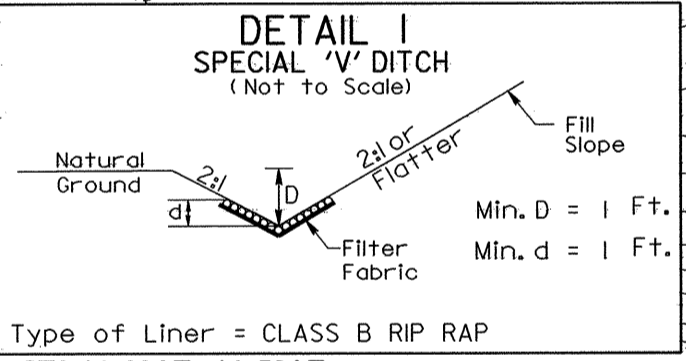
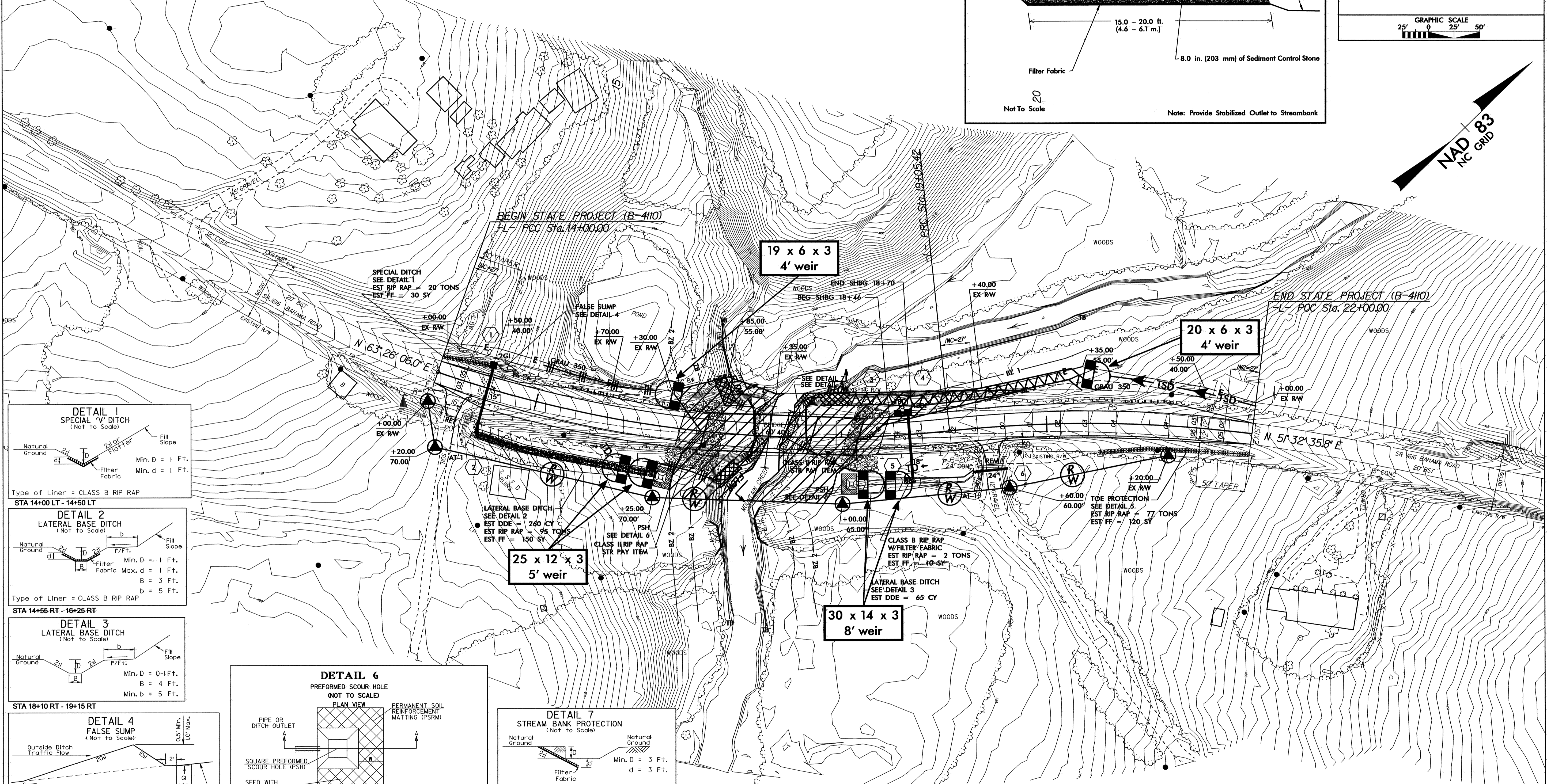
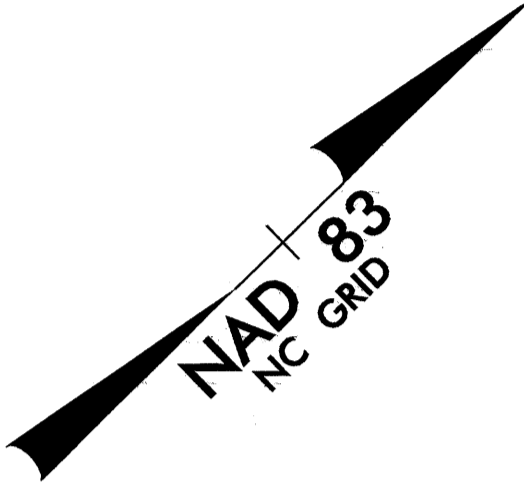
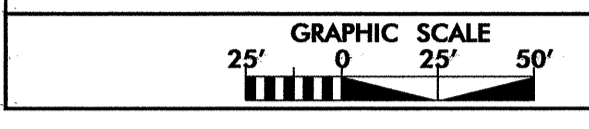
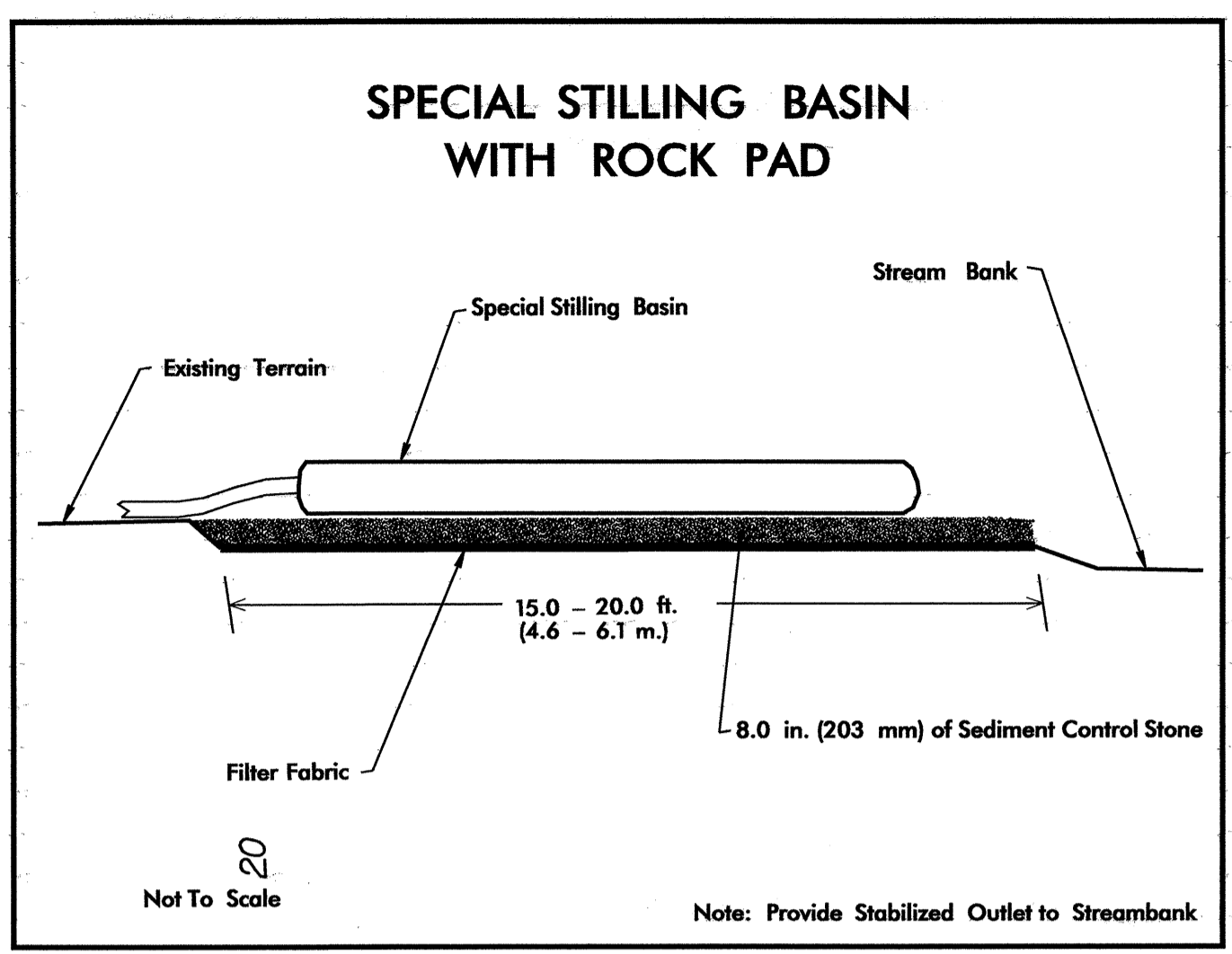


CLEARING AND GRUBBING EROSION CONTROL FOR CONSTRUCTION SHEET 4

NOTE: PLACE TEMPORARY ROCK SEDIMENT DAMS TYPE - B AND TEMPORARY ROCK SILT CHECKS TYPE - A AT DRAINAGE OUTLETS.

NOTE: UTILIZE SPECIAL STILLING BASIN AND/OR TEMPORARY ROCK SEDIMENT DAM TYPE - B AS STILLING BASIN WHERE APPLICABLE.

 ENVIRONMENTALLY SENSITIVE AREA SEE PROJECT SPECIAL PROVISIONS



NOTES: FOR STRUCTURE EXCAVATION LIMITS SEE STRUCTURE PLANS.

TAPER SHOULDERS PARALLEL TO GUARDRAIL WITH 3' OFFSET ON ALL 4 CORNERS OF BRIDGE.

SHBG IS SHOULDER BERM GUTTER.

PAVED SHOULDER (PS) WIDTH VARIES AS SHOWN IN PLAN VIEW.

* DESIGN EXCEPTIONS REQUIRED FOR HORIZONTAL SSD AND SUPERELEVATION FOR -L- PROFILE SEE SHEET 5 FOR STRUCTURE PLANS SEE SHEET S-I THRU S-

\$DATE: 23-DEC-2005 08:37
 \$PLOT: 23-DEC-2005 08:37
 \$PRN: 23-DEC-2005 08:37
 \$JOB: 23-DEC-2005 08:37
 \$USER: 23-DEC-2005 08:37
 \$CWD: 23-DEC-2005 08:37
 \$PWD: 23-DEC-2005 08:37
 \$APP: 23-DEC-2005 08:37
 \$SYS: 23-DEC-2005 08:37
 \$ENV: 23-DEC-2005 08:37
 \$TIME: 23-DEC-2005 08:37
 \$DATE: 23-DEC-2005 08:37
 \$TIME: 23-DEC-2005 08:37
 \$DATE: 23-DEC-2005 08:37
 \$TIME: 23-DEC-2005 08:37