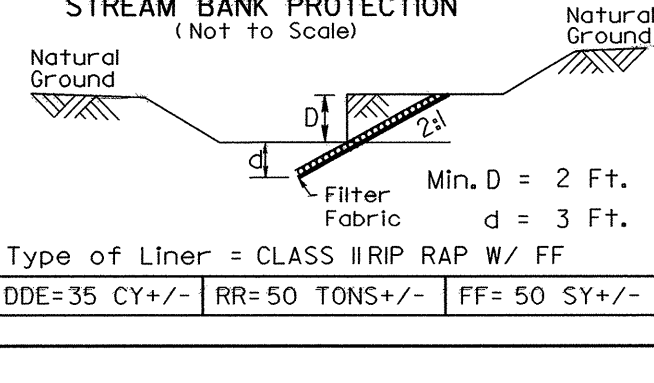
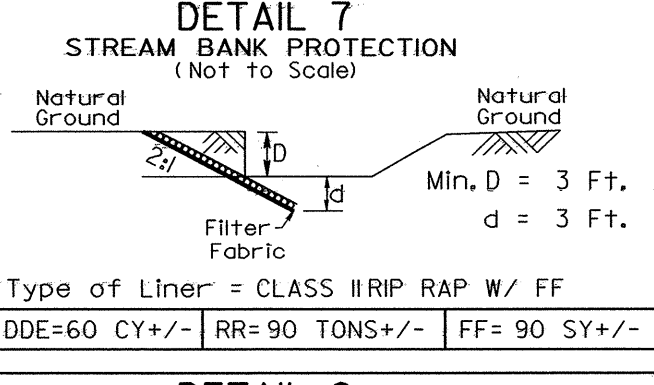
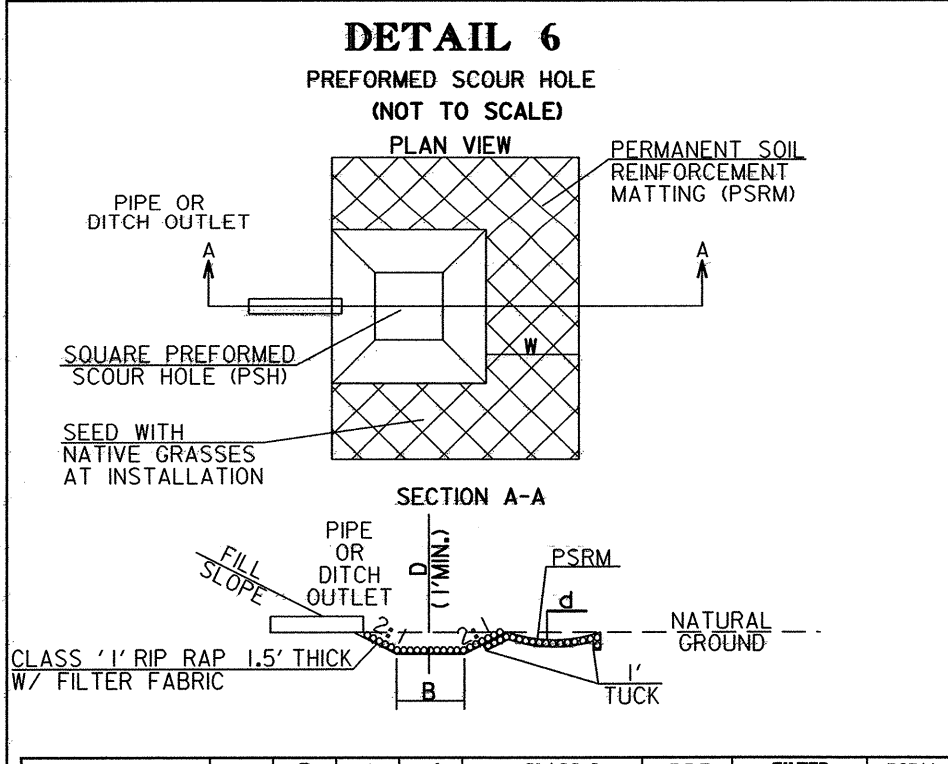
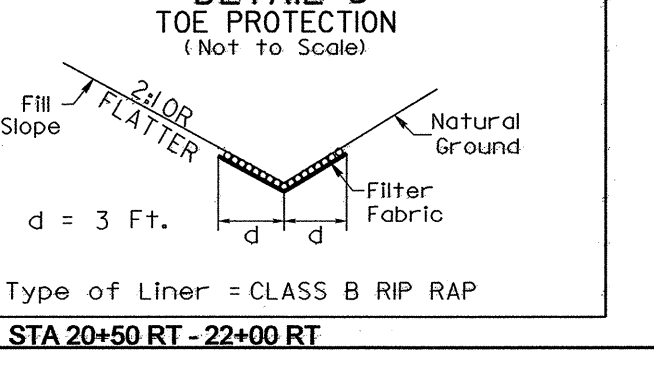
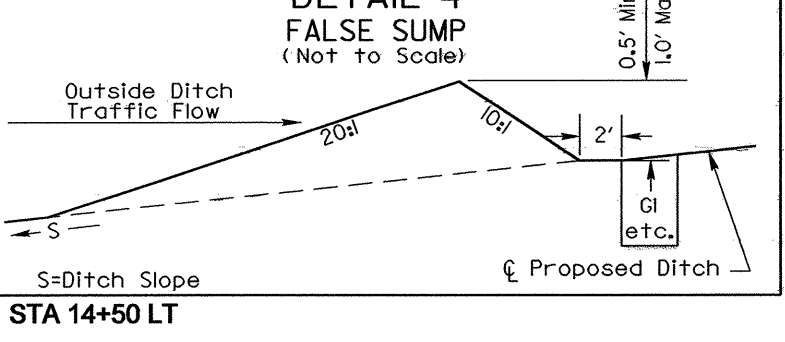
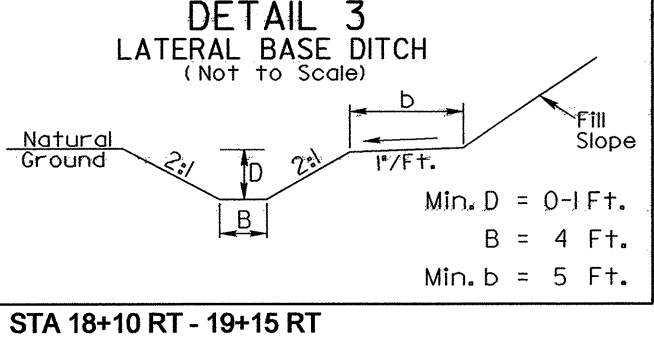
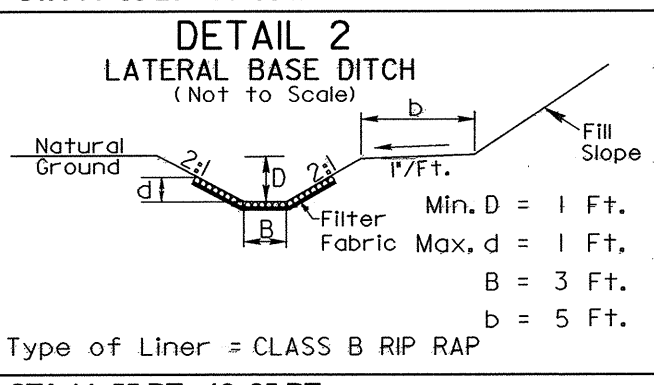
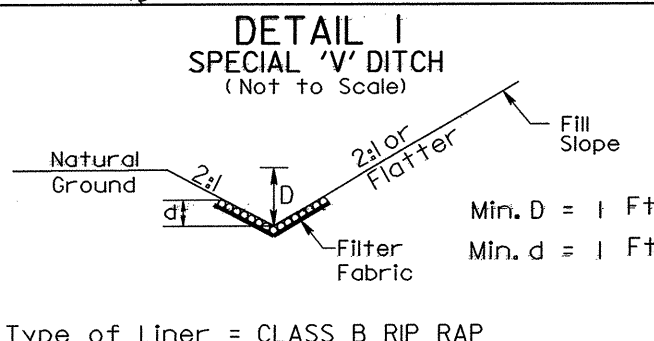
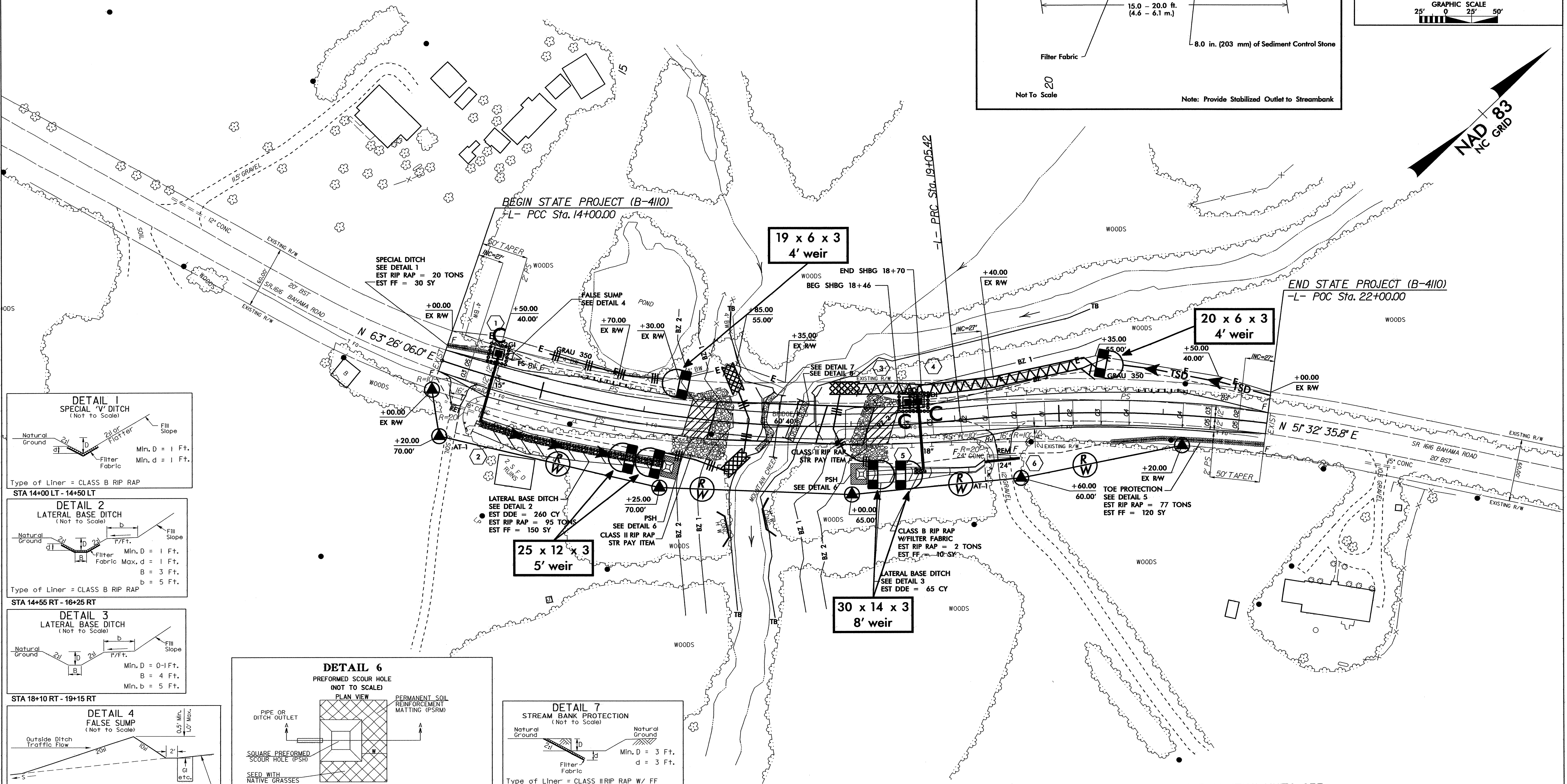


**NOTE: UTILIZE SPECIAL STILLING BASIN AND/OR TEMPORARY ROCK SEDIMENT DAM TYPE - B AS STILLING BASIN WHERE APPLICABLE.**



STATION	B FT.	D FT.	W FT.	d FT.	CLASS 1 RIP RAP TONS	DDE FT <sup>2</sup>	FILTER FABRIC FT <sup>2</sup>	PSRM FT <sup>2</sup>
16+25.00 RT	4.0	1.5	5.0	0.5	35.0	15.0	15.0	25.0
18+10.00 RT	4.0	1.5	5.0	0.5	35.0	15.0	15.0	25.0

**NOTES: FOR STRUCTURE EXCAVATION LIMITS SEE STRUCTURE PLANS.**

TAPER SHOULDERS PARALLEL TO GUARDRAIL WITH 3' OFFSET ON ALL 4 CORNERS OF BRIDGE.

SHBG IS SHOULDER BERM GUTTER.

PAVED SHOULDER (PS) WIDTH VARIES AS SHOWN IN PLAN VIEW.

\* DESIGN EXCEPTIONS REQUIRED FOR HORIZONTAL SSD AND SUPERELEVATION FOR -L- PROFILE SEE SHEET 5

FOR STRUCTURE PLANS SEE SHEET S-1 THRU S-

DATE: 29-DEC-2005 08:37  
 PROJECT: B-4110 Environmental Design\4110\_rdy\_psh4.ec.dgn  
 DRAWN: RLVZ21500