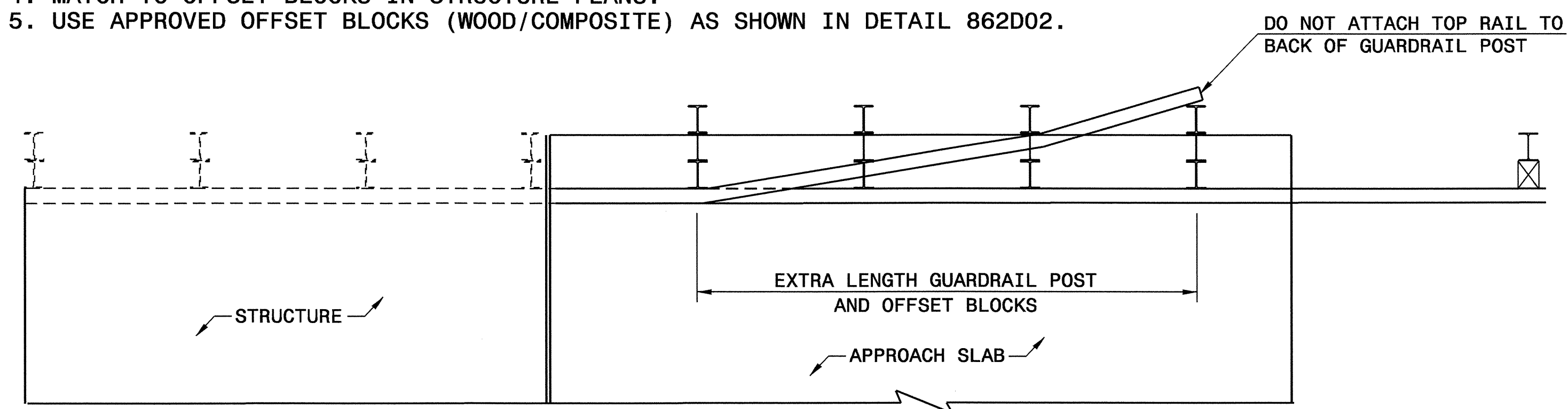


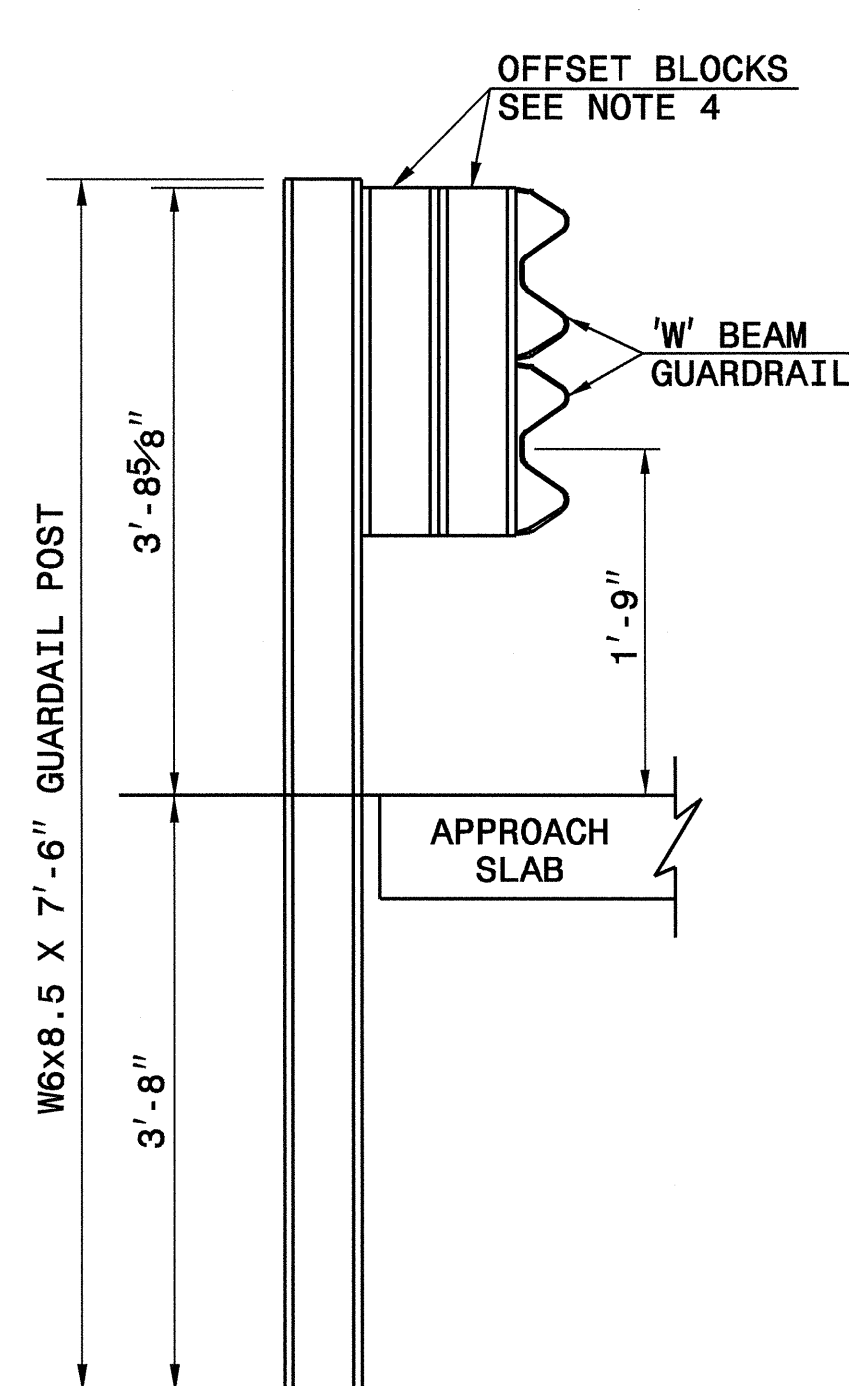
ELEVATION

GENERAL NOTES:

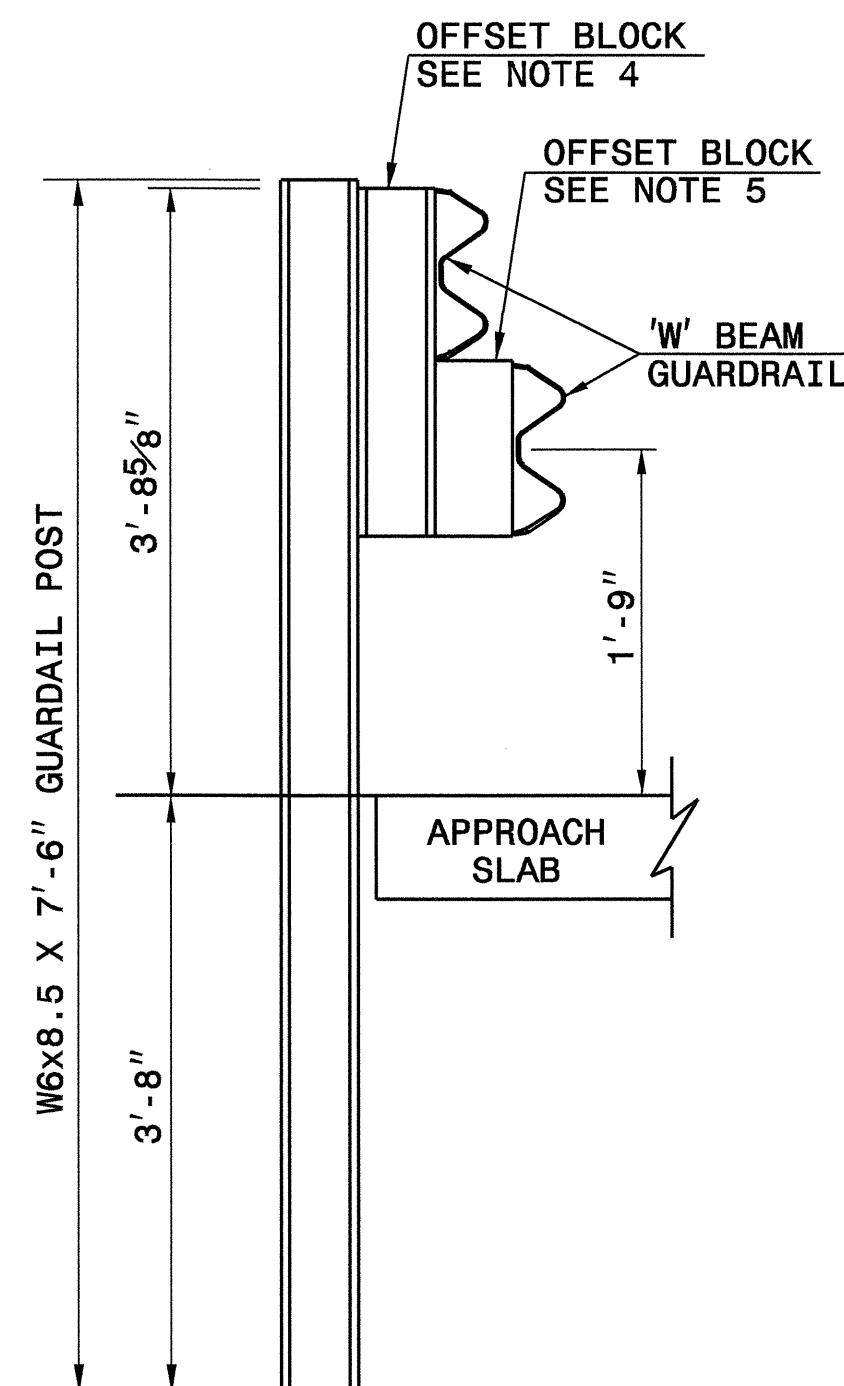
1. MEASURE GUARDRAIL HEIGHT FROM THE TOP OF ADJACENT SURFACE (SHOULDER, BERM, OR GUTTER).
2. LAP JOINTS IN THE DIRECTION OF TRAFFIC FLOW.
3. REFER TO STANDARD SPECIFICATION SECTION 862 FOR GUARDRAIL.
4. MATCH TO OFFSET BLOCKS IN STRUCTURE PLANS.
5. USE APPROVED OFFSET BLOCKS (WOOD/COMPOSITE) AS SHOWN IN DETAIL 862D02.



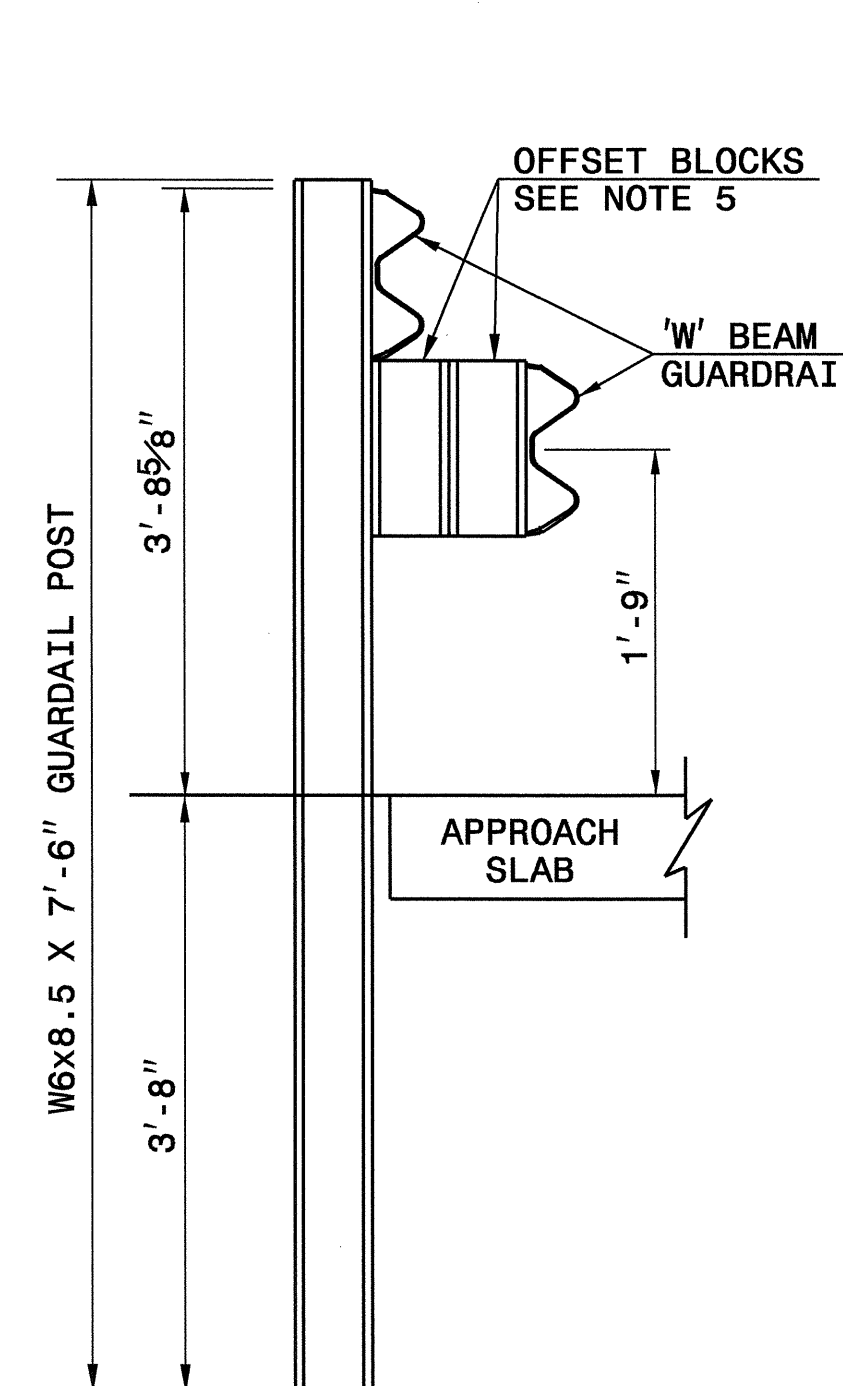
PLAN



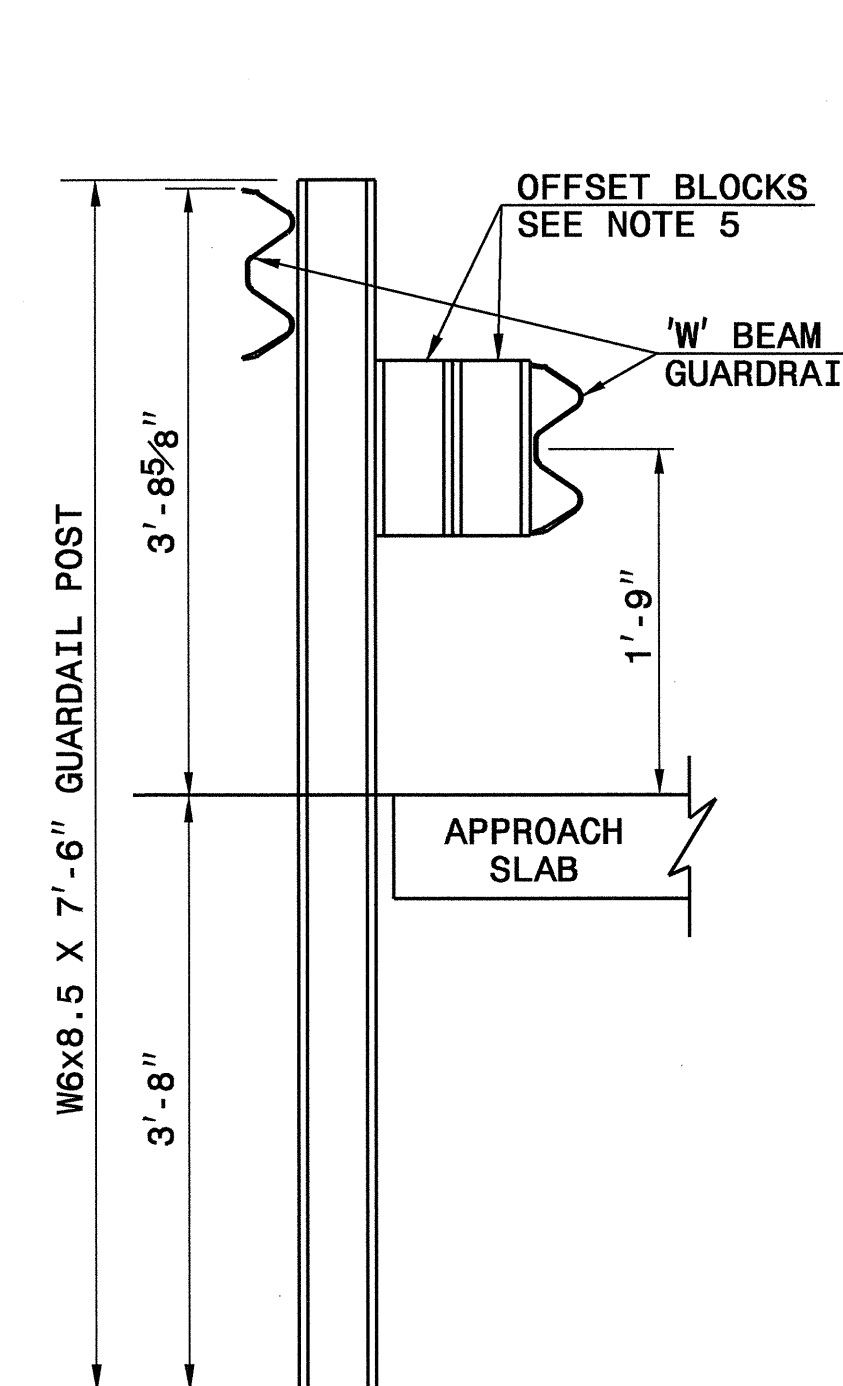
ELEVATION SECTION A-A



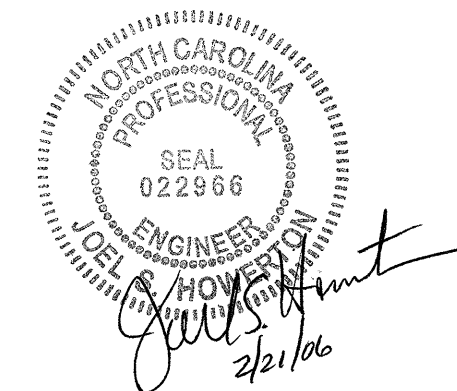
ELEVATION SECTION B-B



ELEVATION SECTION C-C



ELEVATION SECTION D-D



**DESIGN SERVICES UNIT
STANDARDS AND SPECIAL DESIGN**
Office 919-250-4128 FAX 919-250-4119

**TEMPORARY GUARDRAIL
ANCHOR UNIT**

ORIGINAL BY: E.E. WARD DATE: 01-06-06
 MODIFIED BY: *Joe Howard* DATE: *4/9/06*
 CHECKED BY: *Joe Howard* DATE: *4/9/06*
 FILE SPEC.: bp.dgn