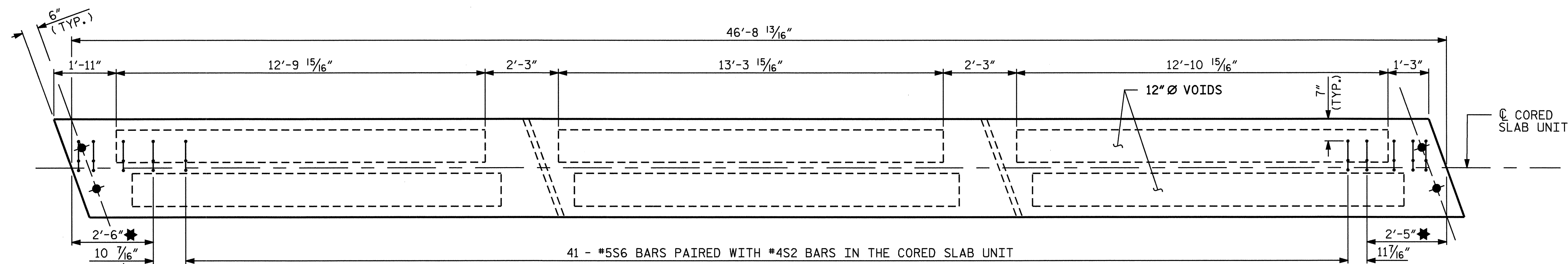


SPAN A - STAGE 1

TYPICAL FOR ALL UNITS EXCEPT AS NOTED.

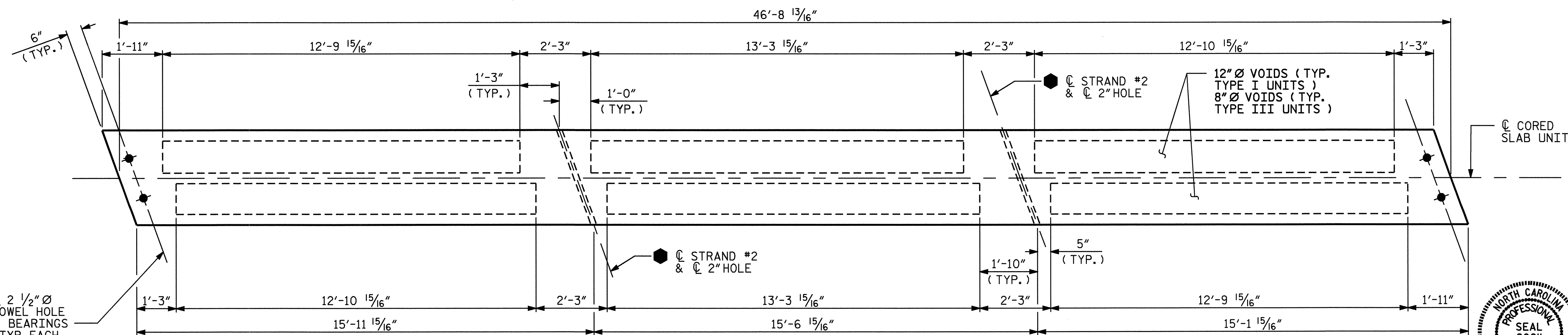
- NOTES**
- SEE "PART PLAN END OF CORED SLAB UNIT" DETAIL ON "TYPICAL SECTIONS" SHEET 2 OF 3 FOR ADDITIONAL REINFORCING.
 - FOR GROUTED RECESS SEE "GROUTED RECESS AT END OF POST-TENSION STRAND CORED SLABS" DETAIL ON "TYPICAL SECTIONS" SHEET 3 OF 3.
 - ◆ STRAND #1 GOES THRU CORED SLAB UNITS IN STAGE 1 CONSTRUCTION.
 - STRAND #2 GOES THRU CORED SLAB UNITS IN STAGES 1 & 2 CONSTRUCTION.
 - DIA. OF VOIDS AND VERTICAL LOCATIONS VARIES, REFER TO "SUPERSTRUCTURE TYPICAL SECTIONS" SHEET 2 OF 3.
 - LOCATION OF #4" BARS IN TOP OF CORED SLAB UNITS VARIES, SEE "TYPICAL SECTIONS" SHEET 2 OF 3 FOR SPACING AS PER UNIT TYPE.

FOR LOCATION AND SPACING OF ANCHOR ASSEMBLIES FOR TEMPORARY GUARDRAIL AND WOODEN RAILS, SEE THE SHEETS ENTITLED "WOODEN RAIL".



SPAN A - STAGE 2

TYPE V UNIT SHOWN.
 ★ SEE "END OF CORED SLAB UNIT" DETAIL ON SHEET 3 OF 3.
 FOR 2" HOLE LAYOUT, SEE BELOW.



SPAN A - STAGE 2

TYPES I & III UNITS TYPICAL EXCEPT AS NOTED.

PROJECT NO. B-3445
CURRITUCK COUNTY
 STATION: 24+18.00 -L-

SHEET 1 OF 3

STATE OF NORTH CAROLINA
 DEPARTMENT OF TRANSPORTATION
 RALEIGH

SUPERSTRUCTURE
 PLAN OF
 3'-0" X 1'-9"
 CORED SLAB UNIT
 SPAN A



Thomas G. Payne
 11/2/06

DRAWN BY: M. J. OSTRISHKO DATE: 12-12-01
 CHECKED BY: K. D. LAYNE DATE: 1-19-02

09-JAN-2006 14:54
 H:\Structures\b3445\finalplans\b344501cs.dgn
 tpayne

REVISIONS						SHEET NO.
NO.	BY:	DATE:	NO.	BY:	DATE:	TOTAL SHEETS
1			3			16
2			4			44