

NOTES

THE GUARDRAIL ANCHOR ASSEMBLY SHALL CONSIST OF A 1/4" HOLD DOWN PLATE AND 7 - 7/8" Ø BOLTS WITH NUTS AND WASHERS.

THE HOLD-DOWN PLATE SHALL CONFORM TO AASHTO M270 GRADE 36. AFTER FABRICATION, THE HOLD-DOWN PLATE SHALL BE HOT-DIP GALVANIZED IN ACCORDANCE WITH AASHTO M111.

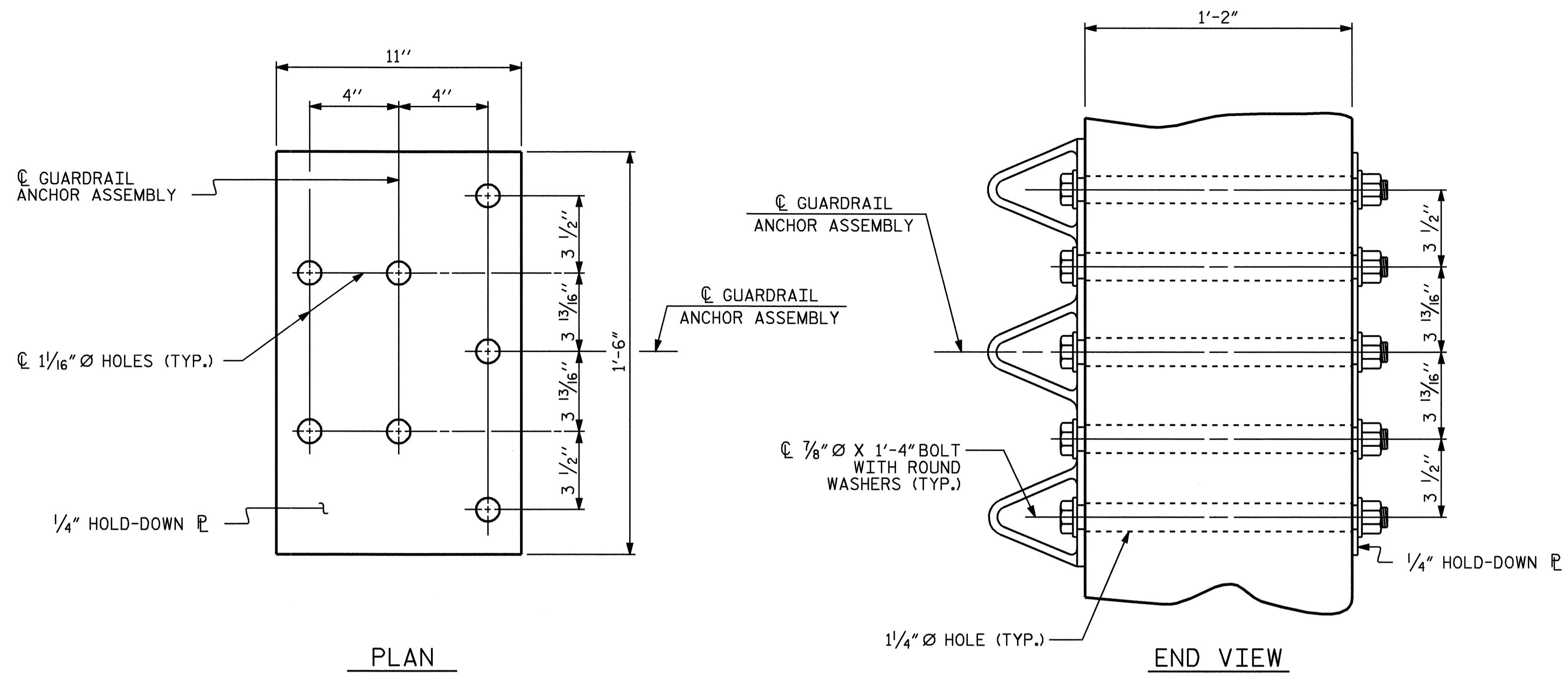
BOLTS SHALL CONFORM TO THE REQUIREMENTS OF ASTM A307 AND NUTS SHALL CONFORM TO THE REQUIREMENTS OF AASHTO M291. BOLTS, NUTS AND WASHERS SHALL BE GALVANIZED. AT THE CONTRACTOR'S OPTION, STAINLESS STEEL BOLTS, NUTS AND WASHERS MAY BE USED AS AN ALTERNATE FOR THE 7/8" Ø GALVANIZED BOLTS, NUTS AND WASHERS. THEY SHALL CONFORM TO OR EXCEED THE MECHANICAL REQUIREMENTS OF ASTM A307. THE USE OF THIS ALTERNATE SHALL BE APPROVED BY THE ENGINEER.

AFTER INSTALLATION, THE EXPOSED THREAD OF THE BOLT SHALL BE BURRED WITH A SHARP POINTED TOOL.

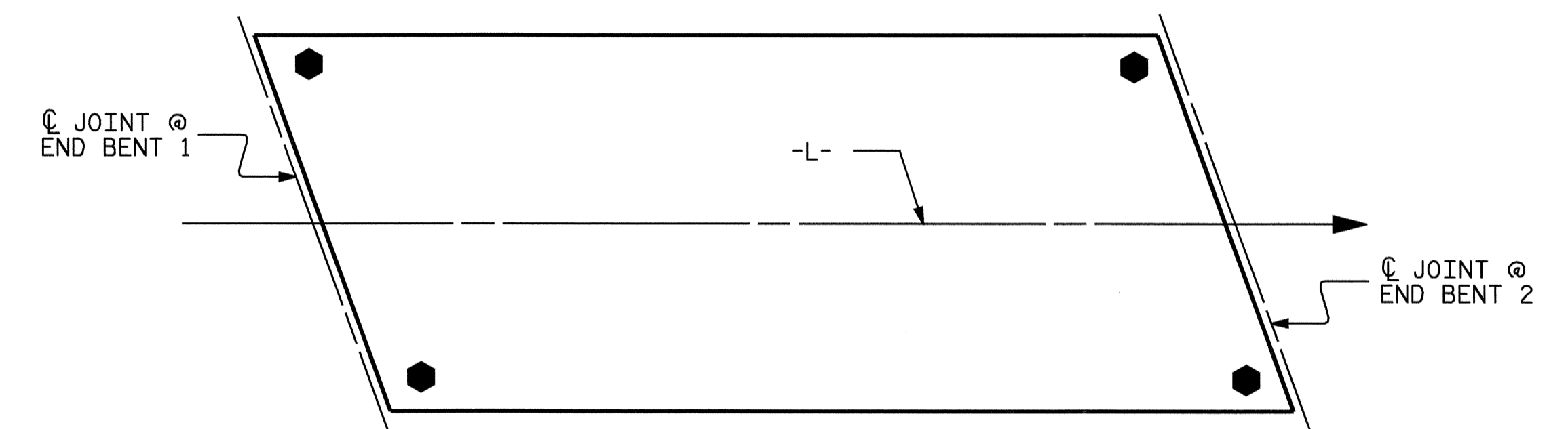
THE COST OF THE GUARDRAIL ANCHOR ASSEMBLIES WITH BOLTS, NUTS AND WASHERS COMPLETE IN PLACE, SHALL BE INCLUDED IN THE VARIOUS PAY ITEMS.

THE VERTICAL REINFORCING BARS MAY BE SHIFTED SLIGHTLY IN THE END POST TO CLEAR ASSEMBLY BOLTS.

THE 1 1/4" Ø HOLES SHALL BE FORMED OR DRILLED WITH A CORE BIT. IMPACT TOOLS WILL NOT BE PERMITTED. ANY CONCRETE DAMAGED BY THIS WORK SHALL BE REPAIRED TO THE SATISFACTION OF THE ENGINEER.

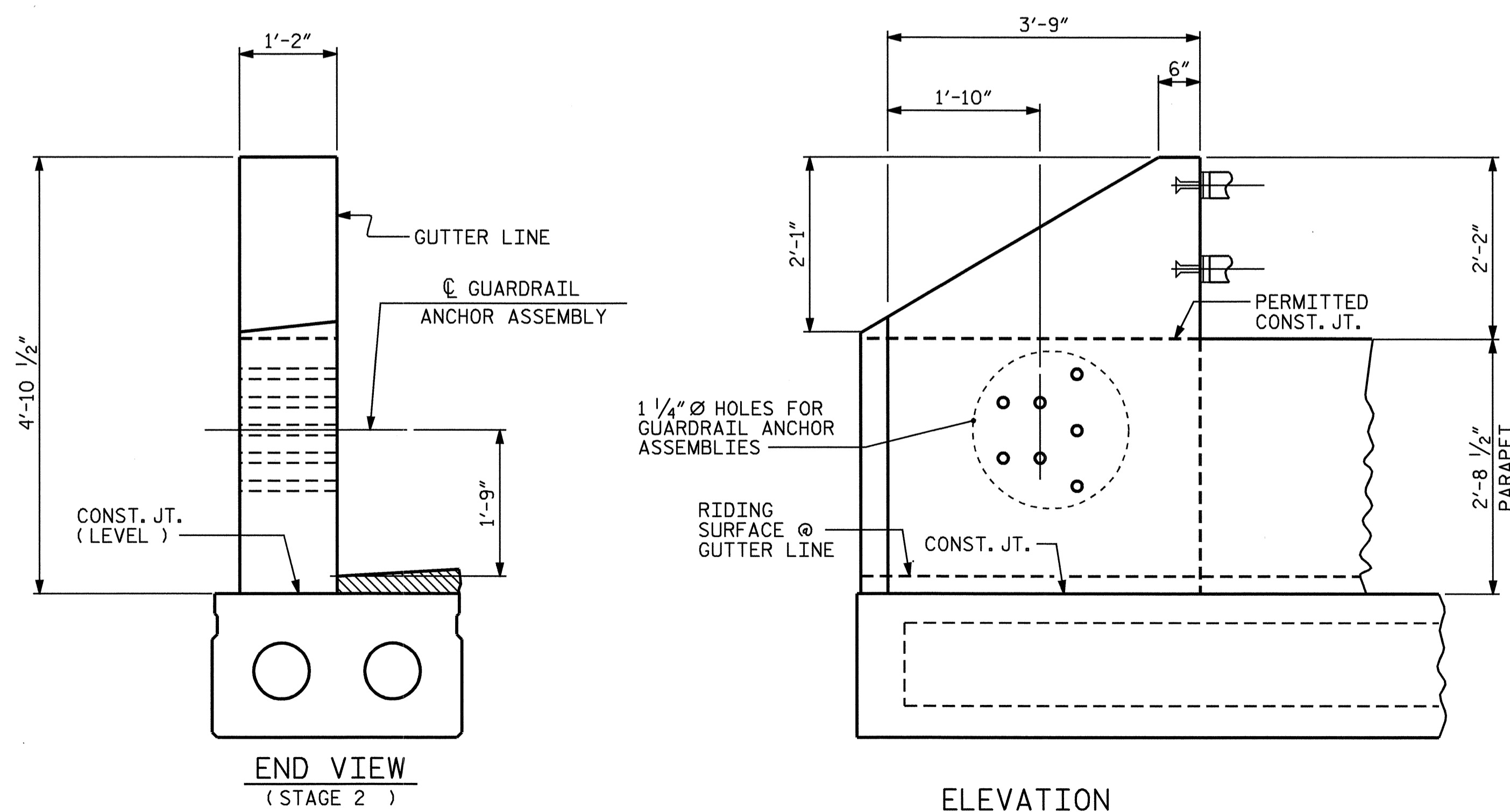


GUARDRAIL ANCHOR ASSEMBLY DETAILS

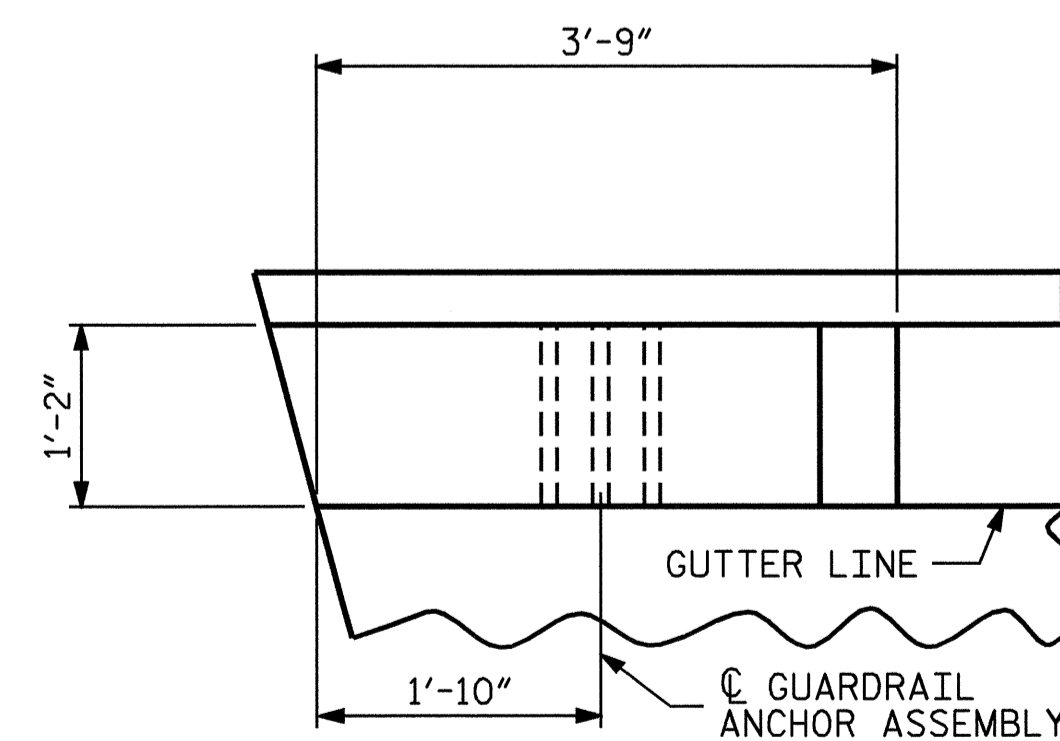


SKETCH SHOWING POINTS OF ATTACHMENT

● LOCATION OF GUARDRAIL ATTACHMENT (TYPE III)

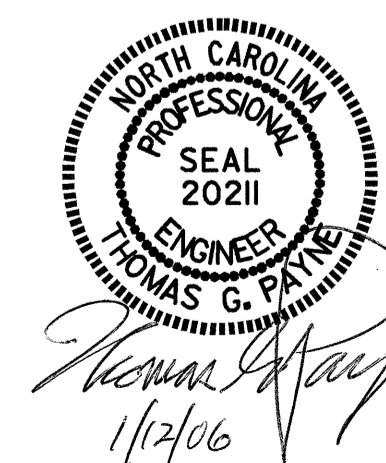


LOCATION OF GUARDRAIL ANCHOR AT END POST



PLAN OF END POST
(STAGE 2 SHOWN STAGE 3 SIMILAR)

PROJECT NO. B-3445
CURRITUCK COUNTY
 STATION: 24+18.00 -L-



| | | | | | |
|--|-----|-------|-----|-----|-------|
| STATE OF NORTH CAROLINA DEPARTMENT OF TRANSPORTATION RALEIGH | | | | | |
| STANDARD GUARDRAIL ANCHORAGE DETAILS FOR METAL RAILS | | | | | |
| REVISIONS | | | | | |
| NO. | BY: | DATE: | NO. | BY: | DATE: |
| 1 | | | 3 | | |
| 2 | | | 4 | | |
| SHEET NO. | | | | | S-24 |
| TOTAL SHEETS | | | | | 44 |

| | |
|--------------------------------|------------------------|
| ASSEMBLED BY : M. J. OSTRISHKO | DATE : 1-20-01 |
| CHECKED BY : K. D. LAYNE | DATE : 1-18-02 |
| DRAWN BY : EEM 6/94 | REV. 8/16/99 RWW/LES |
| CHECKED BY : RGW 6/94 | REV. 10/17/00R RWW/LES |