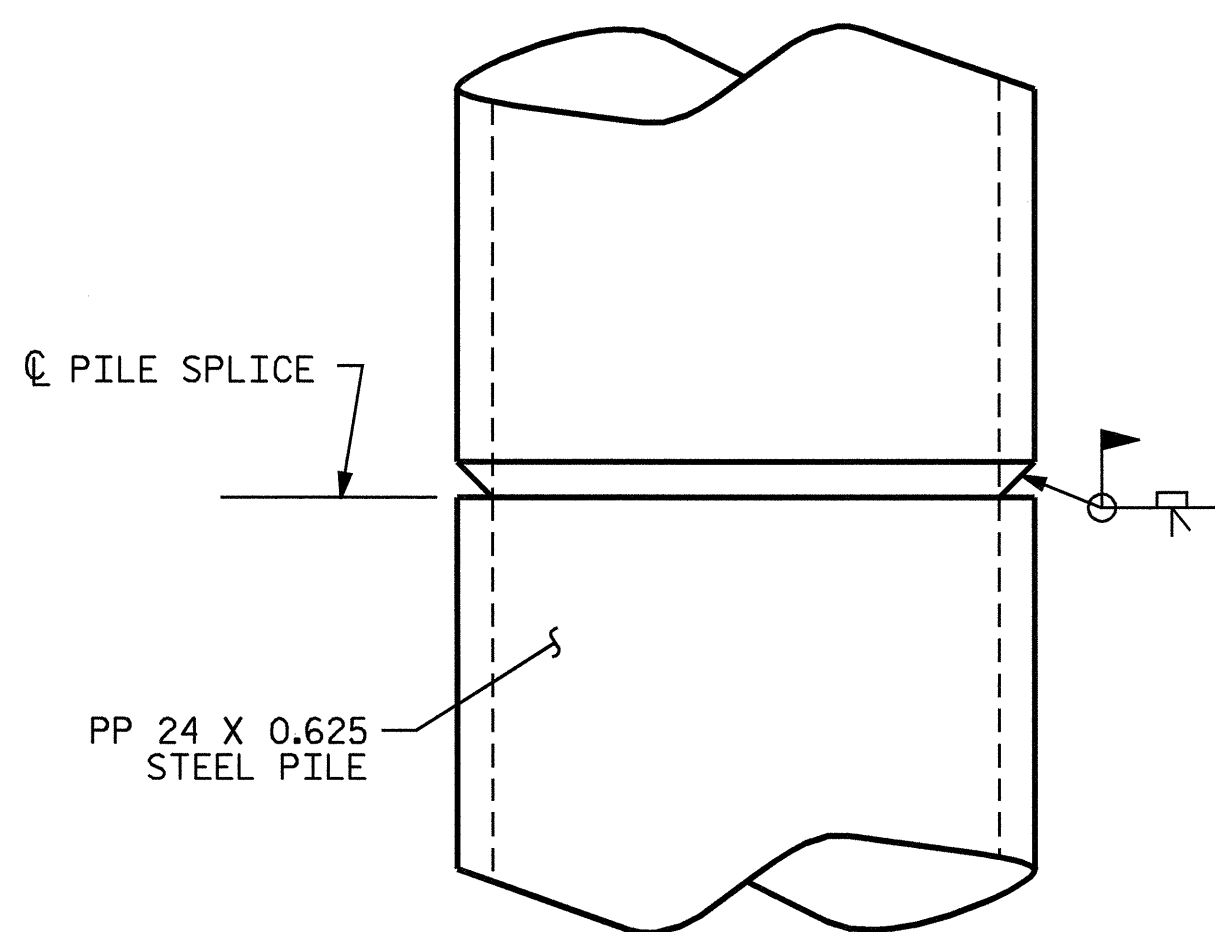
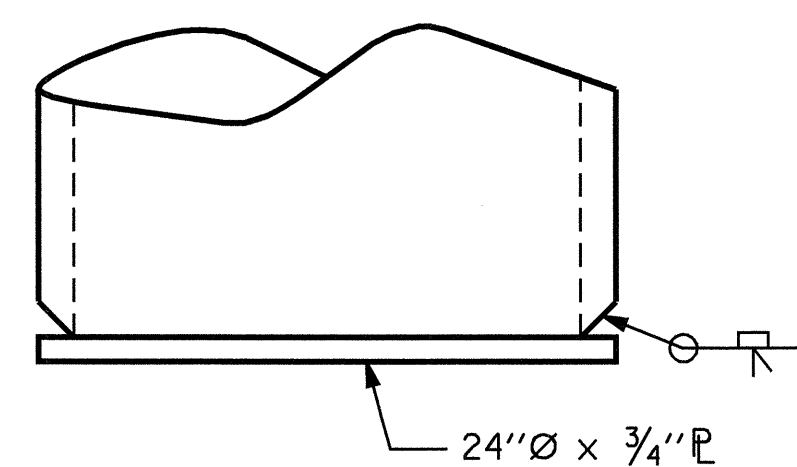


PP 24 X 0.625 STEEL PILE  
(CLOSED END)



NOTES

STEEL PIPE PILES SHALL BE OF UNIFORM DIAMETER AND MEET THE REQUIREMENTS OF ASTM A252, GRADE 3 MODIFIED (50,000 PSI YIELD STRENGTH).

REMOVE AND REPLACE OR REPAIR TO THE SATISFACTION OF THE ENGINEER PILES THAT ARE DAMAGED, DEFORMED OR COLLAPSED DURING INSTALLATION OR DRIVING.

PILE SPLICES SHALL BE IN ACCORDANCE WITH THE STANDARD SPECIFICATIONS AND AWS D1.1.

PIPE PILE PLATES ARE REQUIRED. USE PIPE PILE PLATES WITH DIAMETER EQUAL TO THE PIPE PILE DIAMETER.

FOR CLOSED END PIPE PILES, REMOVE ALL SOIL AND WATER FROM INSIDE THE PILES JUST PRIOR TO PLACING REINFORCING STEEL AND CONCRETE.

PLACE THE CONCRETE SUCH THAT THE REINFORCING STEEL DOES NOT MOVE AND THE CLEARANCE FROM THE REINFORCING STEEL TO THE INSIDE OF THE PILE IS MAINTAINED AFTER CONCRETE PLACEMENT. DO NOT PLACE CONCRETE IN THE BENT CAP UNTIL THE CONCRETE IN THE PILES HAS ATTAINED A MINIMUM COMPRESSIVE STRENGTH OF 1500 PSI.

THE REINFORCING STEEL AND CLASS A CONCRETE ARE CONSIDERED INCIDENTAL TO THE CONTRACT UNIT PRICE BID FOR LINEAR FOOT OF "PP 24 X 0.625 STEEL PILES".

PIPE PILES SHALL BE METALLIZED. APPLY A 12 MIL THICK 1350 ALUMINUM (W-A1-1350) THERMAL SPRAYED COATING WITH A 0.5 MIL THICK SEAL COAT. FOR METALLIZATION SEE THE SPECIAL PROVISION "THERMAL SPRAYED COATINGS (METALLIZATION)". COST TO METALLIZE THE PILES SHALL BE INCLUDED IN THE COST OF THE PILES.

THE ENTIRE LENGTH OF THE PP 24 X 0.625 STEEL PILES SHALL BE FILLED WITH CLASS A CONCRETE.

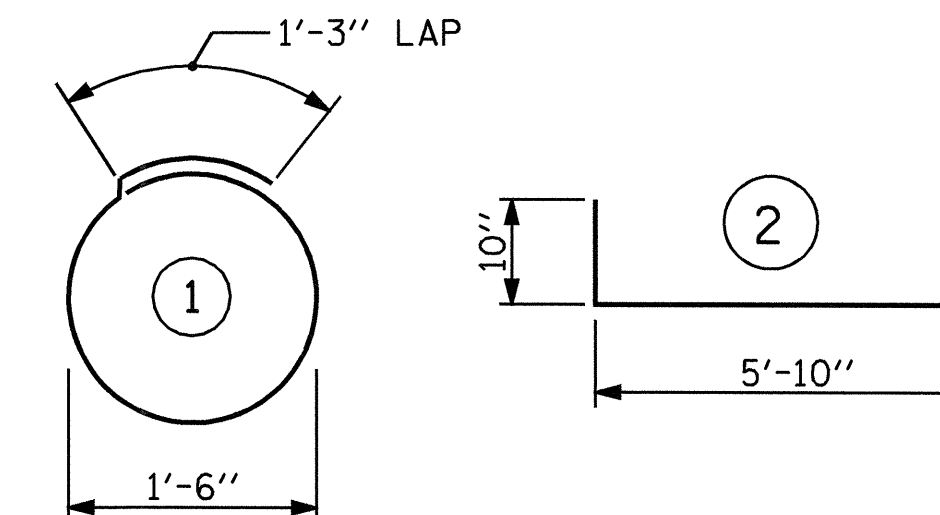
BILL OF MATERIAL FOR ONE  
PP 24 X 0.625 STEEL PILE

BAR	NO.	SIZE	TYPE	LENGTH	WEIGHT
S1	6	#4	1	6'-0"	24
V1	10	#6	2	6'-8"	100

REINFORCING STEEL = 124 lbs

CLASS A CONCRETE = 11.0 CY

BAR TYPES

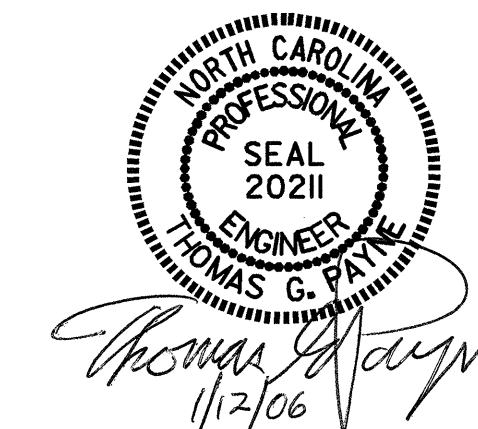


ALL BAR DIMENSIONS ARE OUT TO OUT.

PROJECT NO. B-3445  
CURRITUCK COUNTY  
STATION: 24+18.00 -L-

STATE OF NORTH CAROLINA  
DEPARTMENT OF TRANSPORTATION  
RALEIGH

STANDARD  
24" STEEL PIPE PILE



ASSEMBLED BY : KEITH D. LAYNE	DATE : 11-15-05
CHECKED BY : T. G. PAYNE	DATE : 12-5-05
DRAWN BY : TLA 8/05	ADDED 10/1/05
CHECKED BY : GM 9/05	

REVISIONS						SHEET NO.
NO.	BY:	DATE:	NO.	BY:	DATE:	S-41
1			3			TOTAL SHEETS
2			4			44