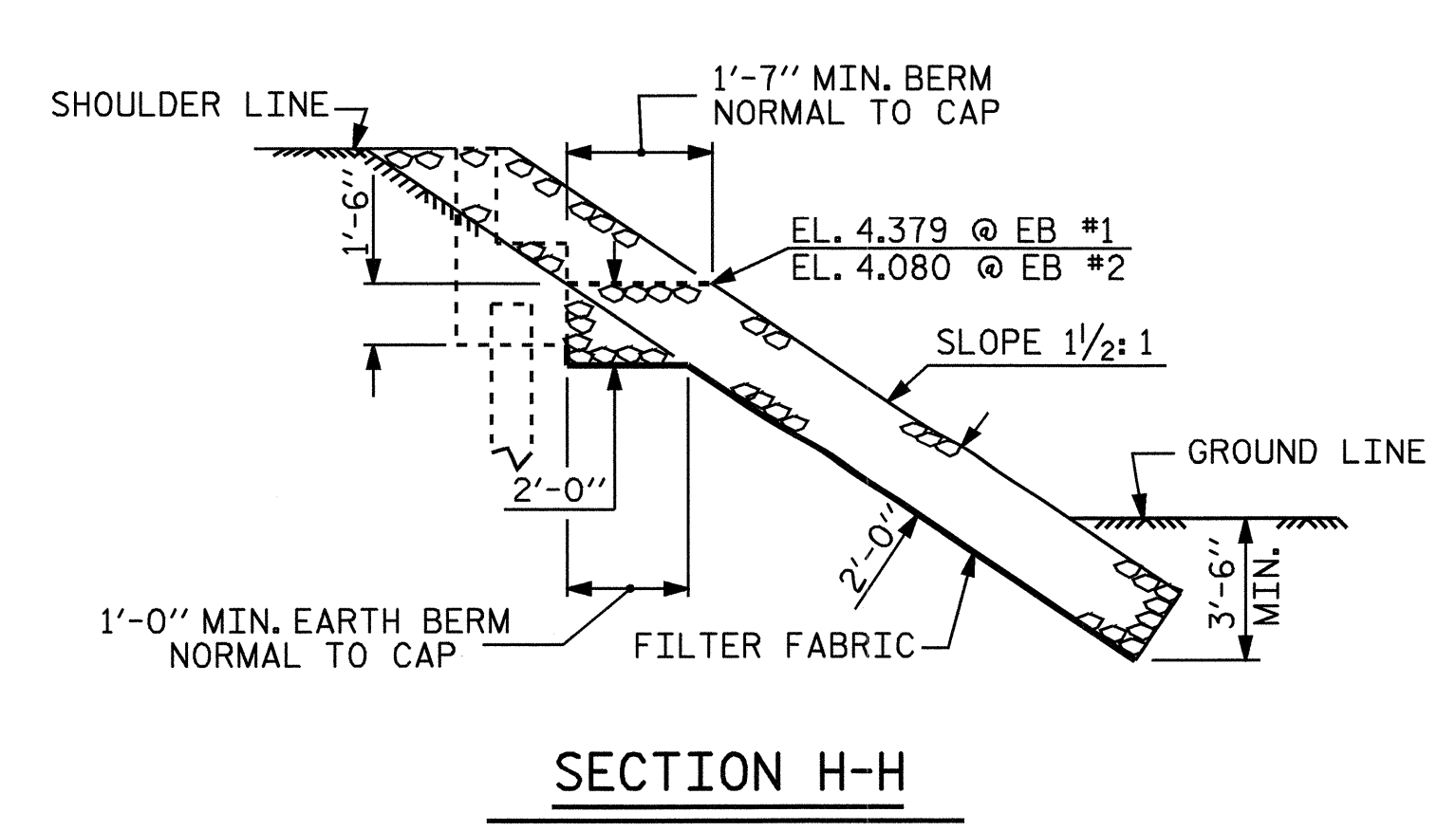
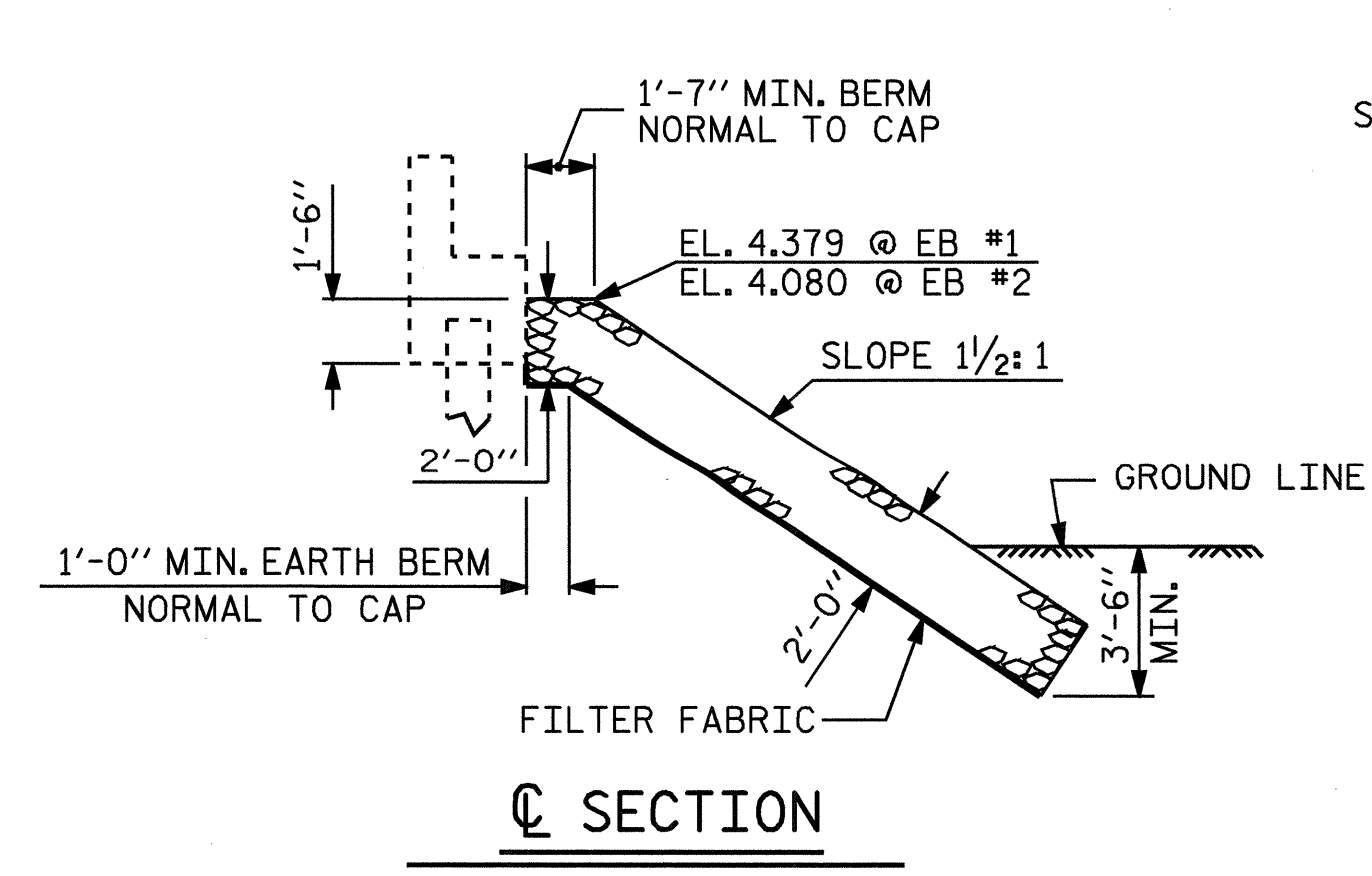


PLAN

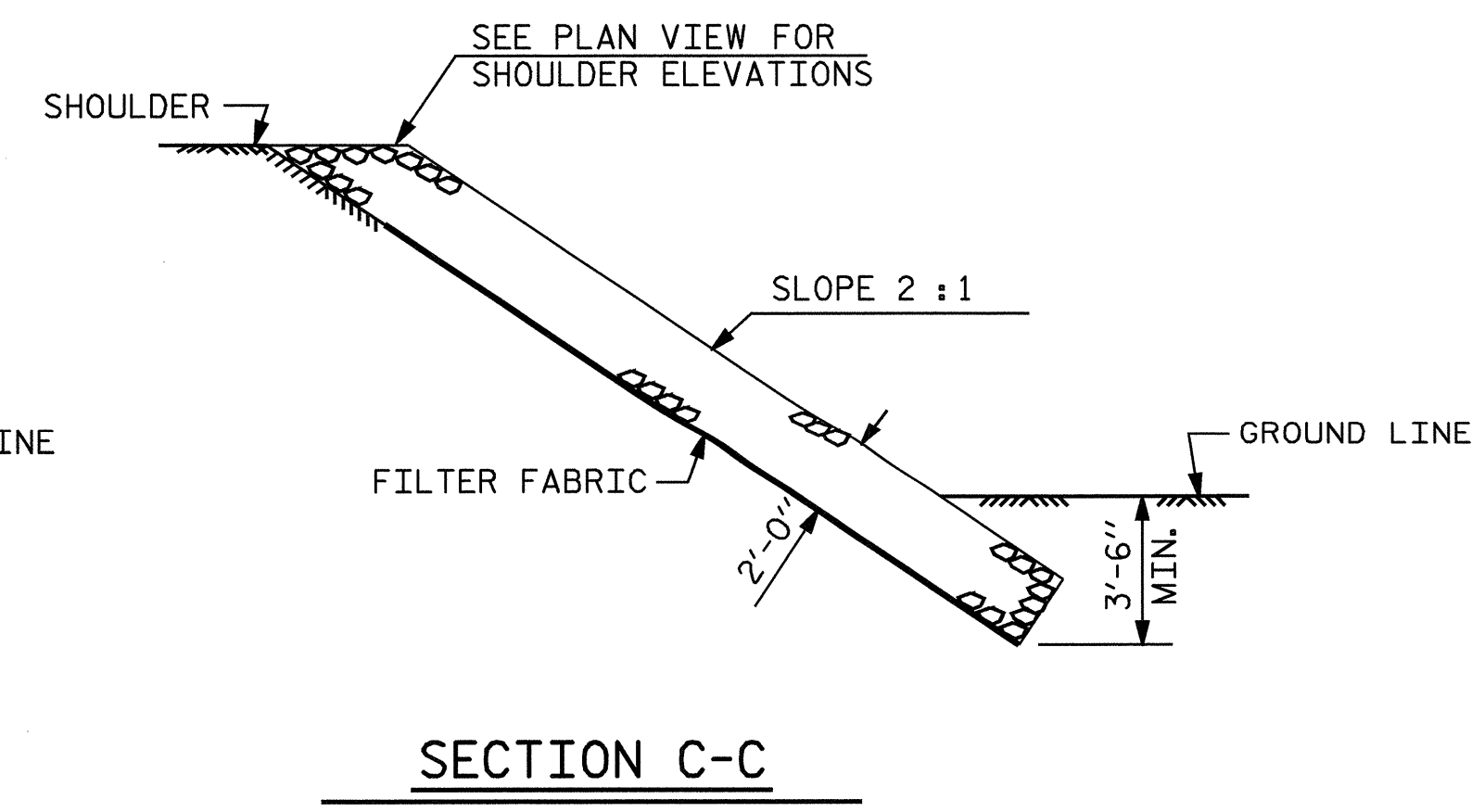
ESTIMATED QUANTITIES		
BRIDGE @ STATION 24+18.000 -L-	PLAIN RIP RAP CLASS II	FILTER FABRIC FOR DRAINAGE
	TONS	SQUARE YARDS
END BENT 1	95	105
END BENT 2	90	100



SECTION H-H



SECTION C-C

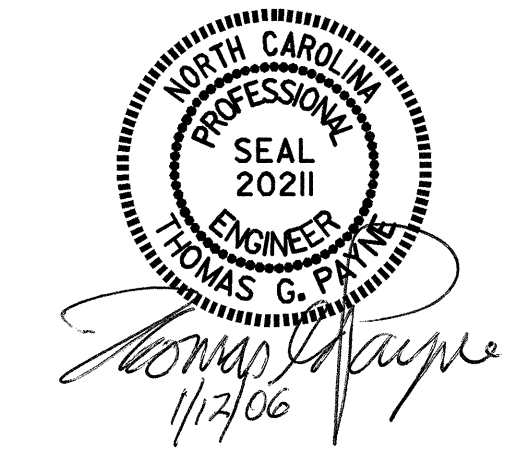


SECTION C-C

PROJECT NO. B-3445
CURRITUCK COUNTY
 STATION 24+18.00 -L-

STATE OF NORTH CAROLINA
 DEPARTMENT OF TRANSPORTATION
 RALEIGH

RIP RAP DETAILS



ASSEMBLED BY : KEITH D. LAYNE DATE : 3-18-02
 CHECKED BY : D. B. MOORE DATE : 3-26-02

09-JAN-2006 14:55
 H:\Structures\B3445\Finalplans\B344501sp.dgn
 tpayne

REVISIONS						SHEET NO. S-42
NO.	BY:	DATE:	NO.	BY:	DATE:	
1			3			TOTAL SHEETS 44
2			4			

STD. No. RRI