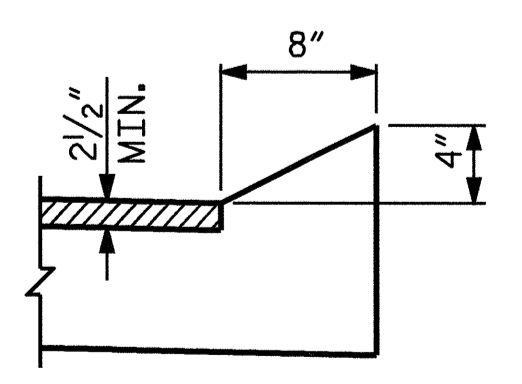


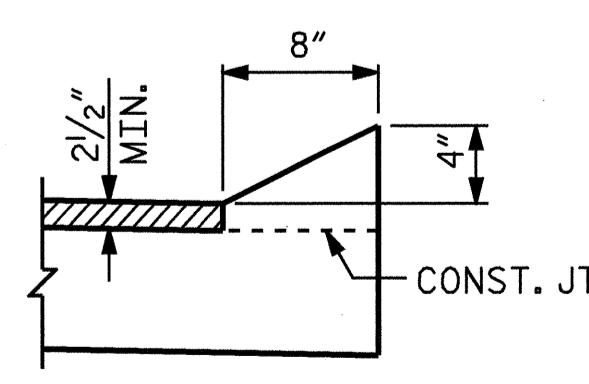
PLAN OF APPROACH SLAB @ END BENT 1

PLAN OF APPROACH SLAB @ END BENT 2

* RADIAL DIMENSION



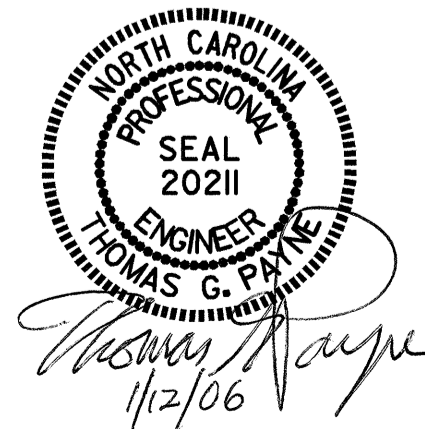
SECTION L-L



SECTION M-M

DRAWN BY : Keith D. Layne DATE : 10-25-05
 CHECKED BY : S. H. Sockwell DATE : 11-17-05

10-JAN-2006 07:45
 R:\Structur\ur\as\b3445\Finalplans\b344501.as.dgn
 tpayne



PROJECT NO. B-3445
 CURRITUCK COUNTY
 STATION: 24+18.00 -L-

SHEET 1 OF 2

STATE OF NORTH CAROLINA
 DEPARTMENT OF TRANSPORTATION
 RALEIGH

BRIDGE APPROACH SLAB
 FOR PRESTRESSED
 CONCRETE CORED SLAB

REVISIONS						SHEET NO.
NO.	BY:	DATE:	NO.	BY:	DATE:	S-43
1			3			TOTAL SHEETS
2			4			44