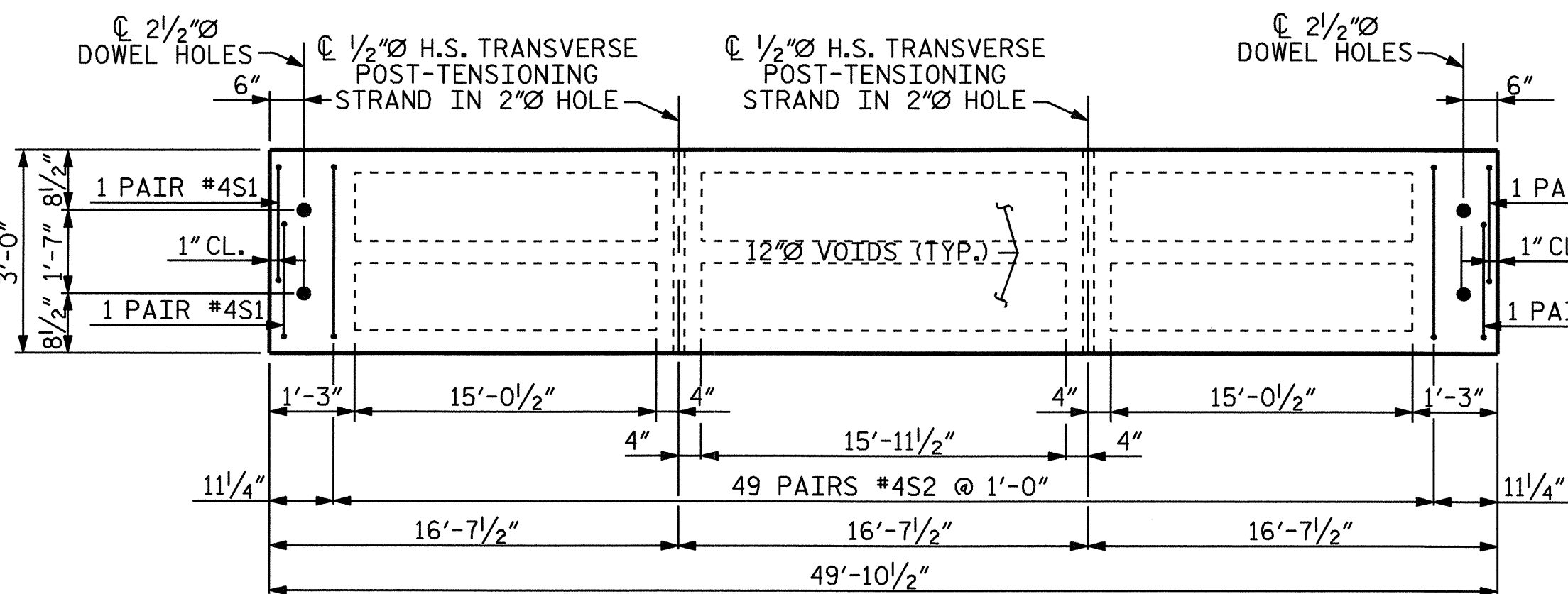
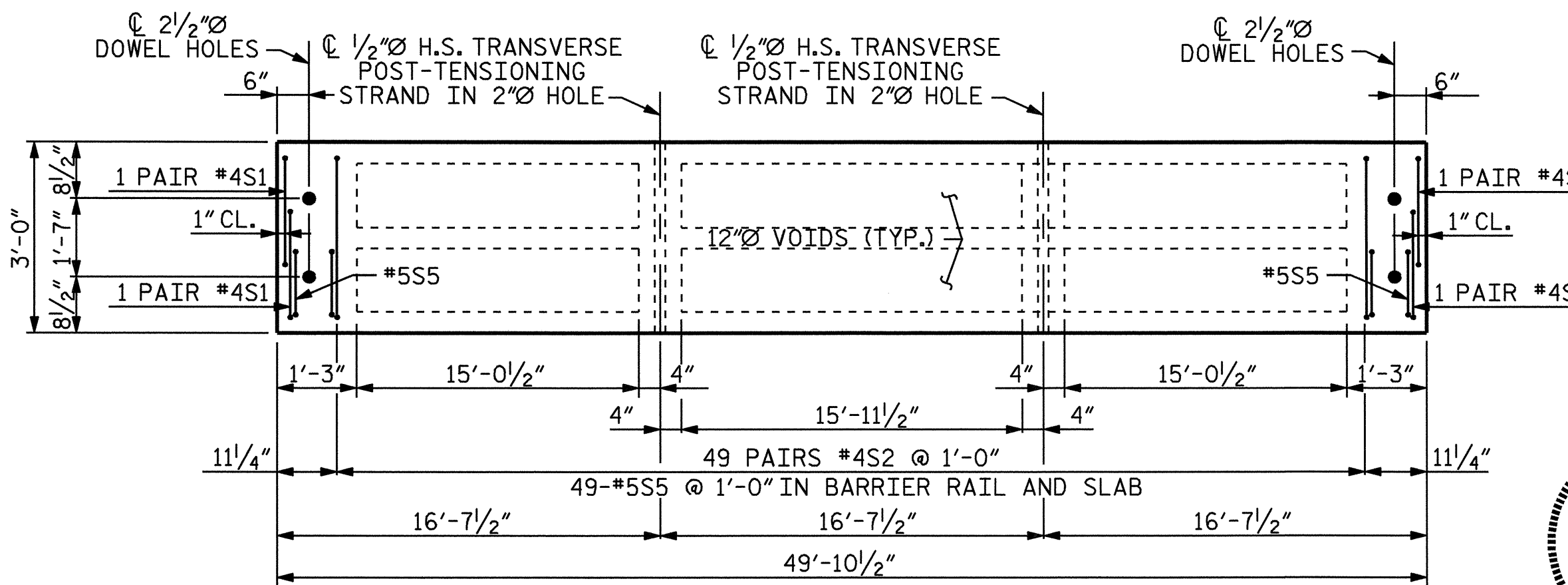


PLAN OF SPAN B



PLAN OF INTERIOR CORED SLAB UNIT



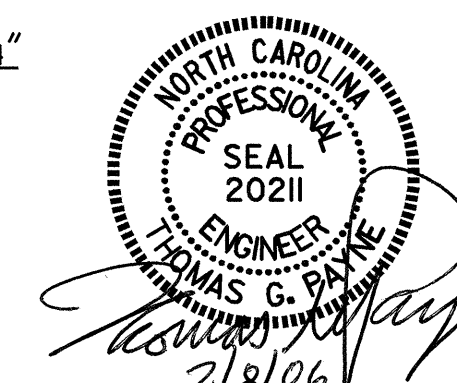
PLAN OF EXTERIOR CORED SLAB UNIT

PROJECT NO. B-4027  
BERTIE COUNTY  
 STATION 18+50.00 -L-

SHEET 2 OF 3

STATE OF NORTH CAROLINA  
 DEPARTMENT OF TRANSPORTATION  
 RALEIGH

SUPERSTRUCTURE  
 PLAN OF SPAN B



REVISIONS				SHEET NO.	
NO.	BY:	DATE:	NO.	BY:	DATE:
1			3		
2			4		

S-7  
 TOTAL SHEETS  
 23

07-FEB-2006 06:35  
 G:\Structures\B-4027\Final\B-4027\_sd.ps\_01.dgn  
 Klayne

DRAWN BY: KEITH D. LAYNE DATE: 1-12-05  
 CHECKED BY: S. H. SOCKWELL DATE: 6-3-05