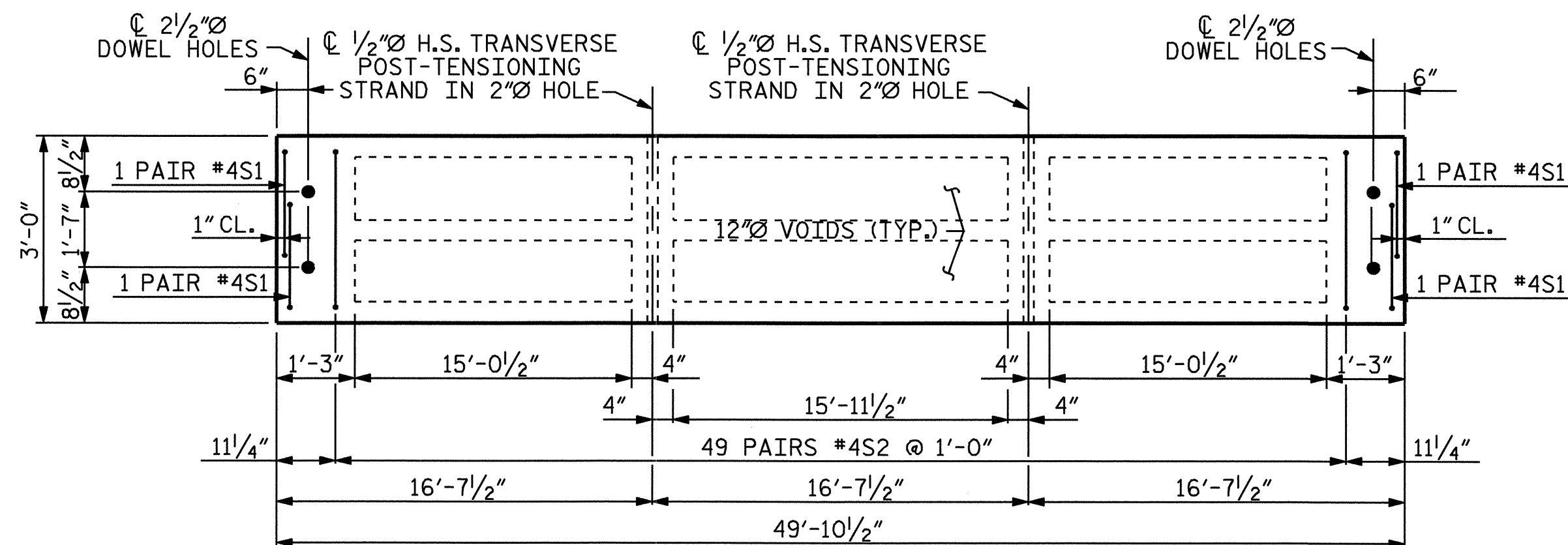
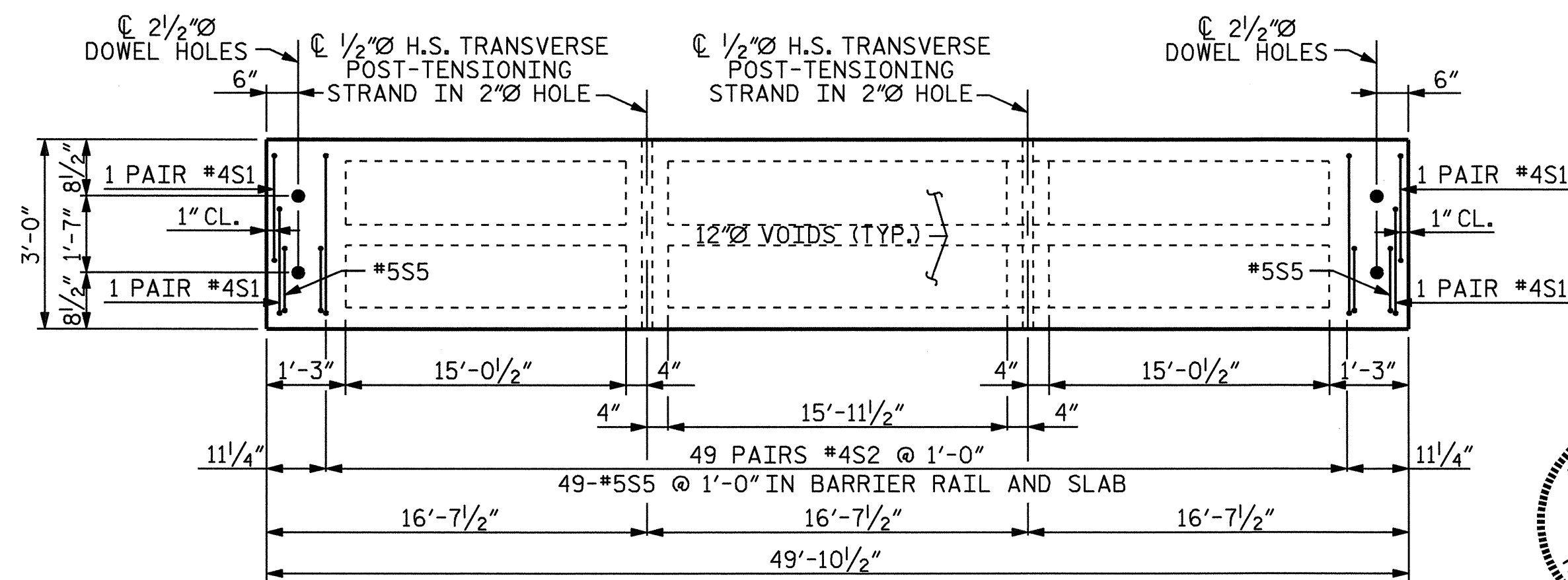


PLAN OF SPAN C



PLAN OF INTERIOR CORED SLAB UNIT



PLAN OF EXTERIOR CORED SLAB UNIT

PROJECT NO. B-4027

BERTIE COUNTY

STATION 18+50.00 -L-

SHEET 3 OF 3

STATE OF NORTH CAROLINA  
DEPARTMENT OF TRANSPORTATION  
RALEIGH

SUPERSTRUCTURE  
PLAN OF SPAN C



REVISIONS				SHEET NO.	
NO.	BY:	DATE:	NO.	BY:	DATE:
1			3		
2			4		

S-8  
TOTAL SHEETS  
23