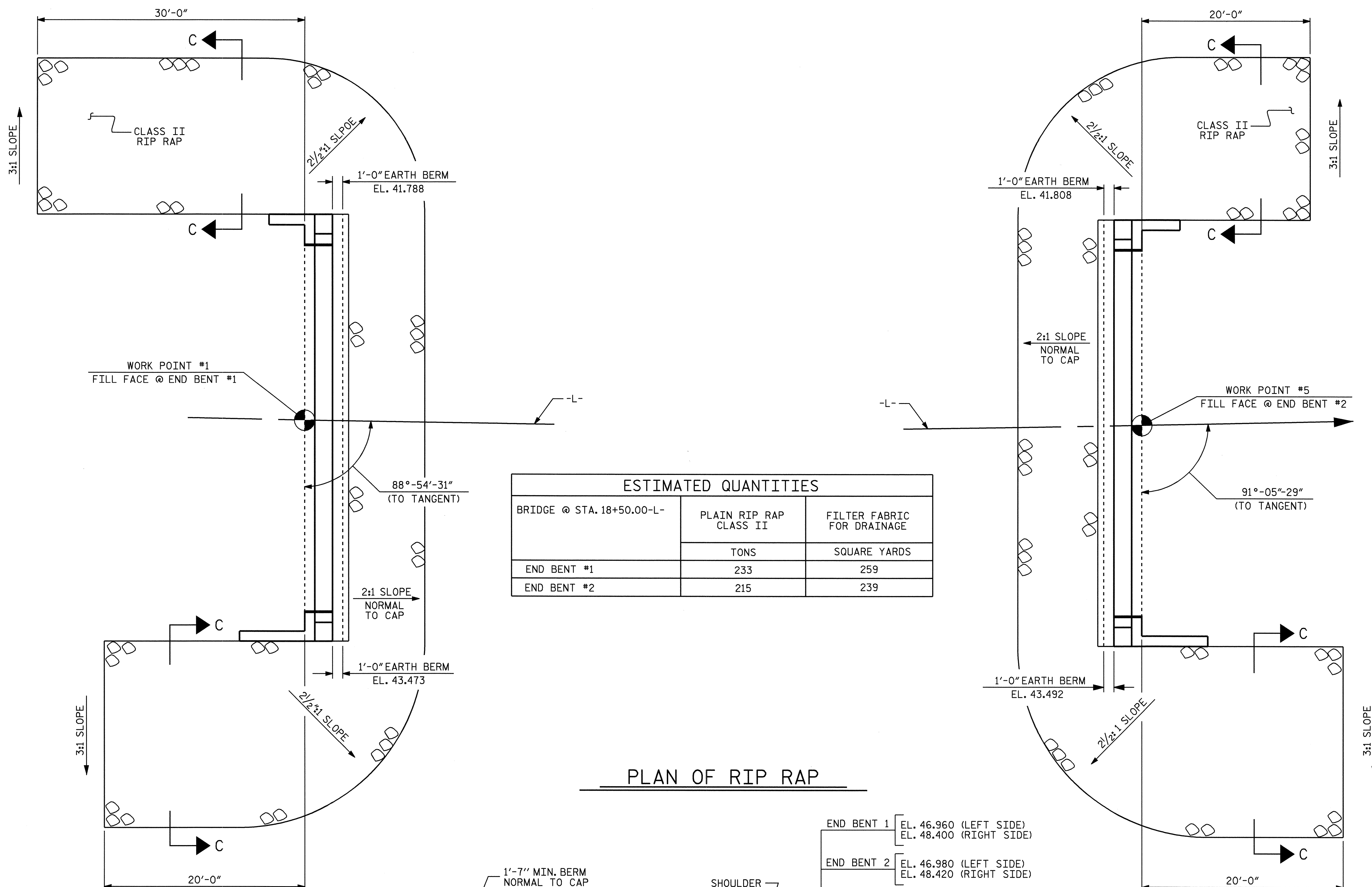
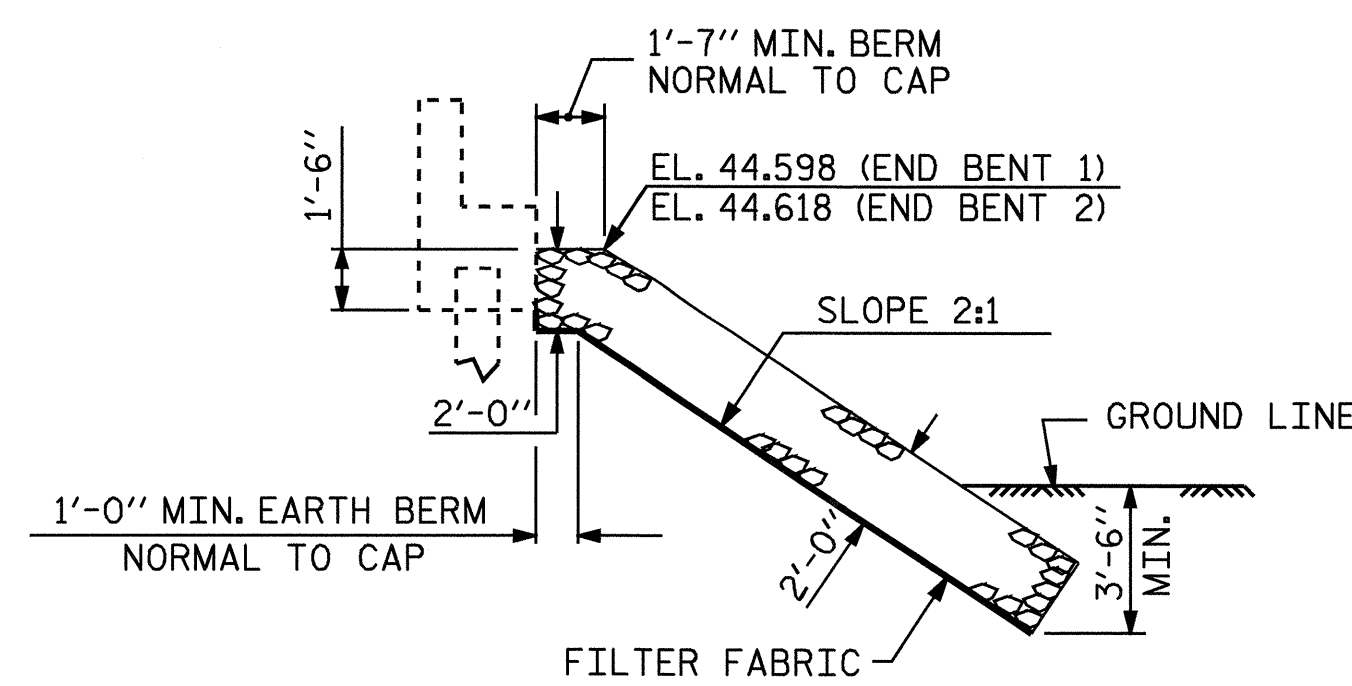


NOTE
 THE COST OF THE FILTER FABRIC SHALL BE INCLUDED IN THE CONTRACT PRICE BID FOR PLAIN RIP RAP CLASS II.

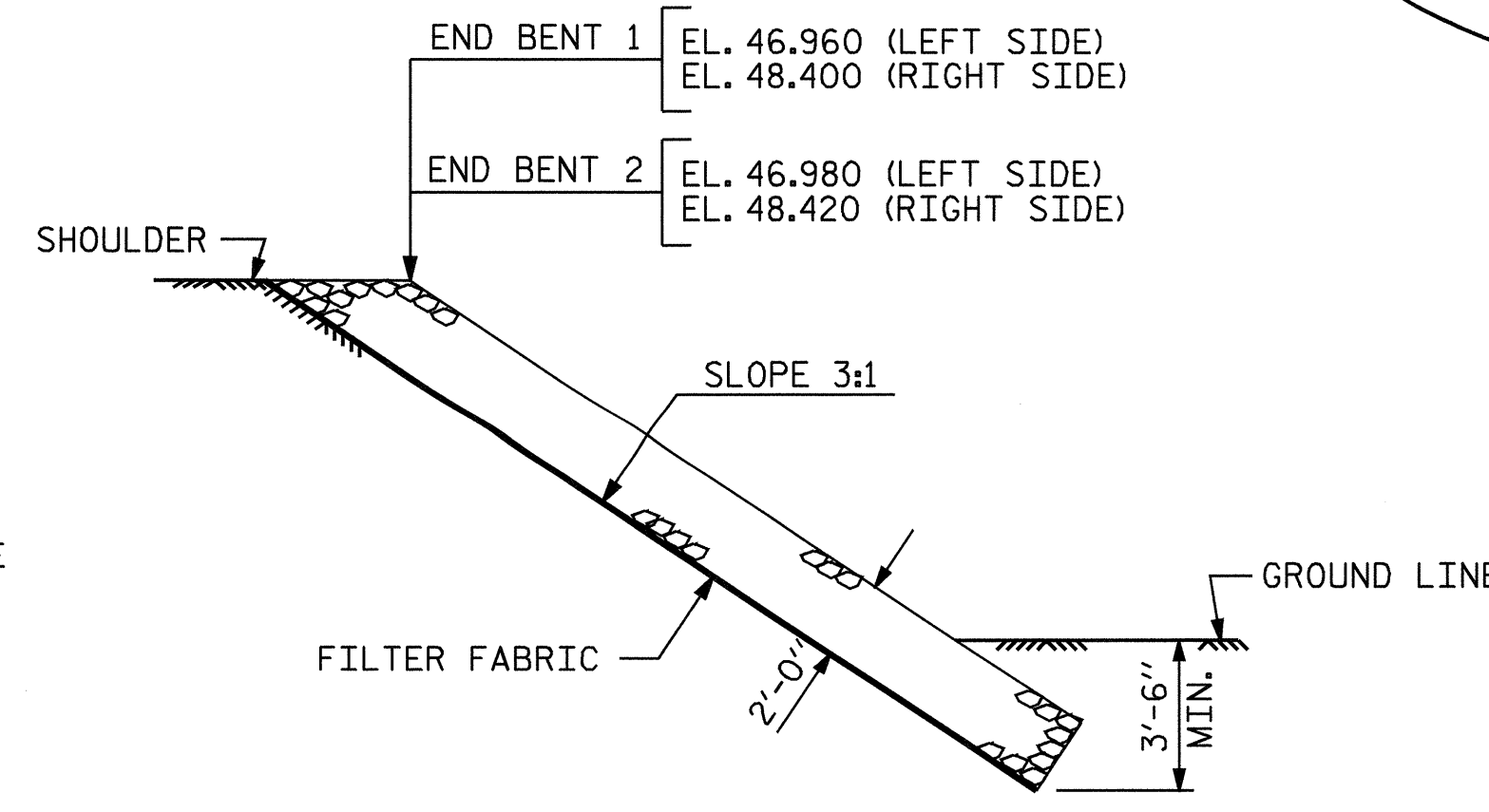


ESTIMATED QUANTITIES		
BRIDGE @ STA. 18+50.00-L-	PLAIN RIP RAP CLASS II	FILTER FABRIC FOR DRAINAGE
	TONS	SQUARE YARDS
END BENT #1	233	259
END BENT #2	215	239

PLAN OF RIP RAP



**SECTION ALONG -L-
 BERM RIP RAPPED**



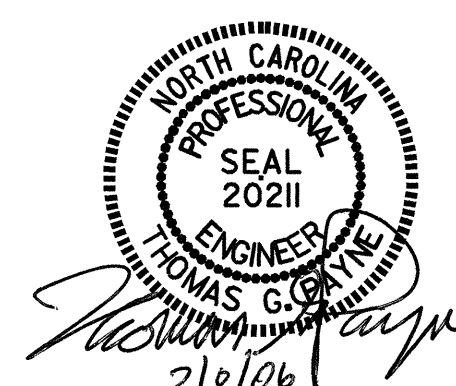
SECTION C-C

PROJECT NO. B-4027
BERTIE COUNTY
 STATION: 18+50.00-L-

STATE OF NORTH CAROLINA
 DEPARTMENT OF TRANSPORTATION
 RALEIGH

RIP RAP DETAILS

REVISIONS						SHEET NO.
NO.	BY:	DATE:	NO.	BY:	DATE:	S-19
1			3			TOTAL SHEETS
2			4			23



DRAWN BY : S.H. SOCKWELL DATE : 5/18/05
 CHECKED BY : J.P. ADAMS DATE : 7/14/05