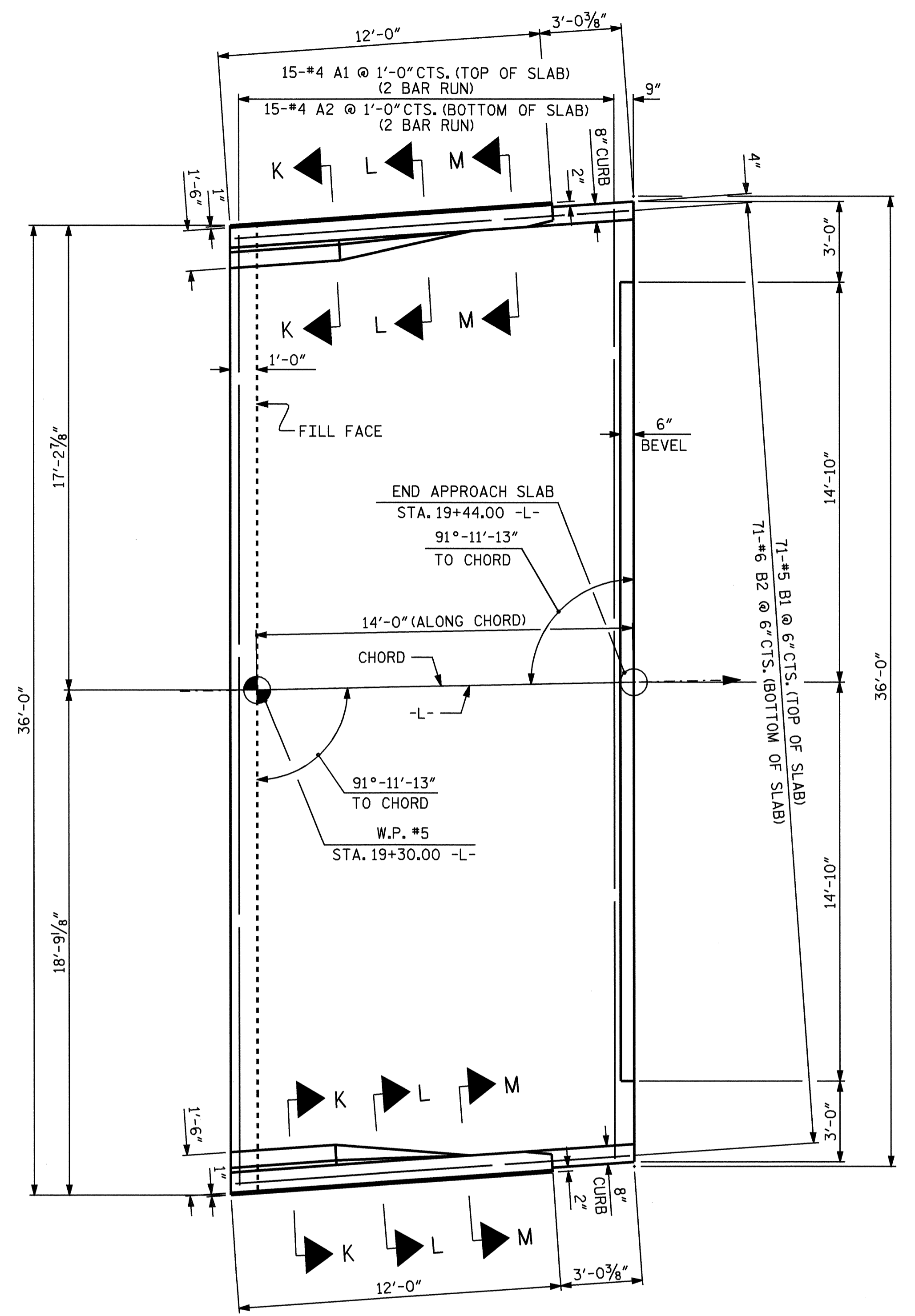
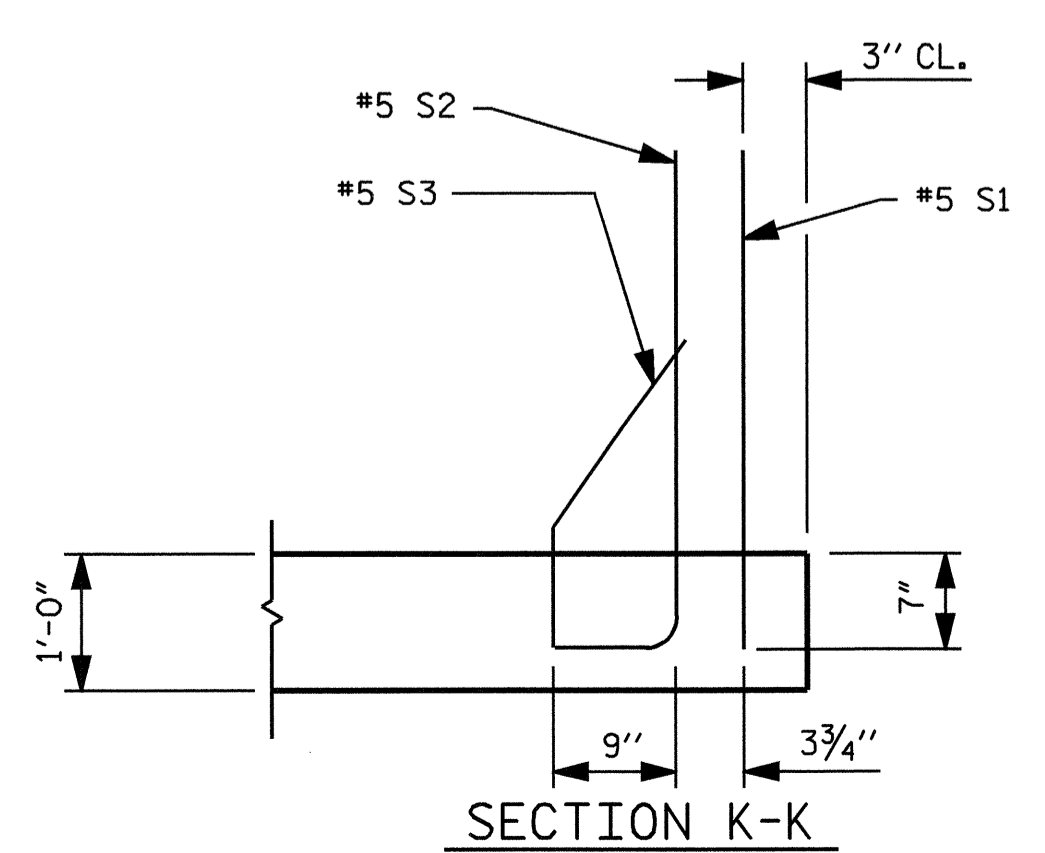
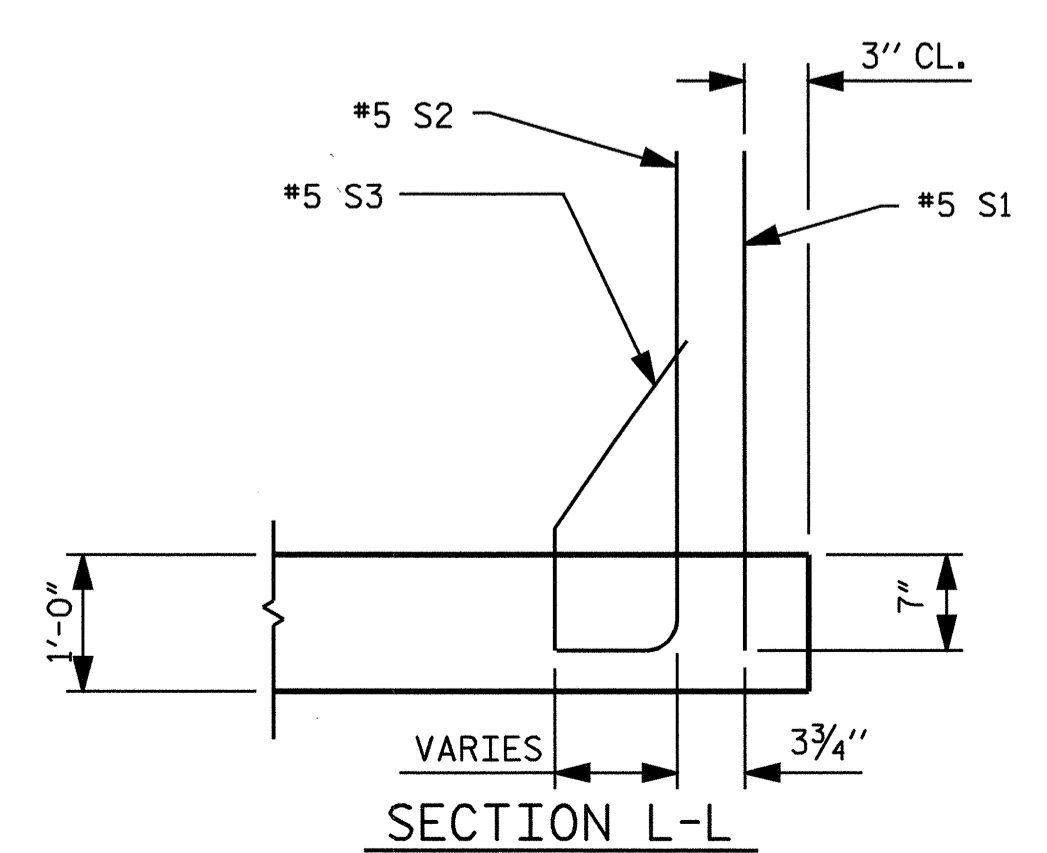
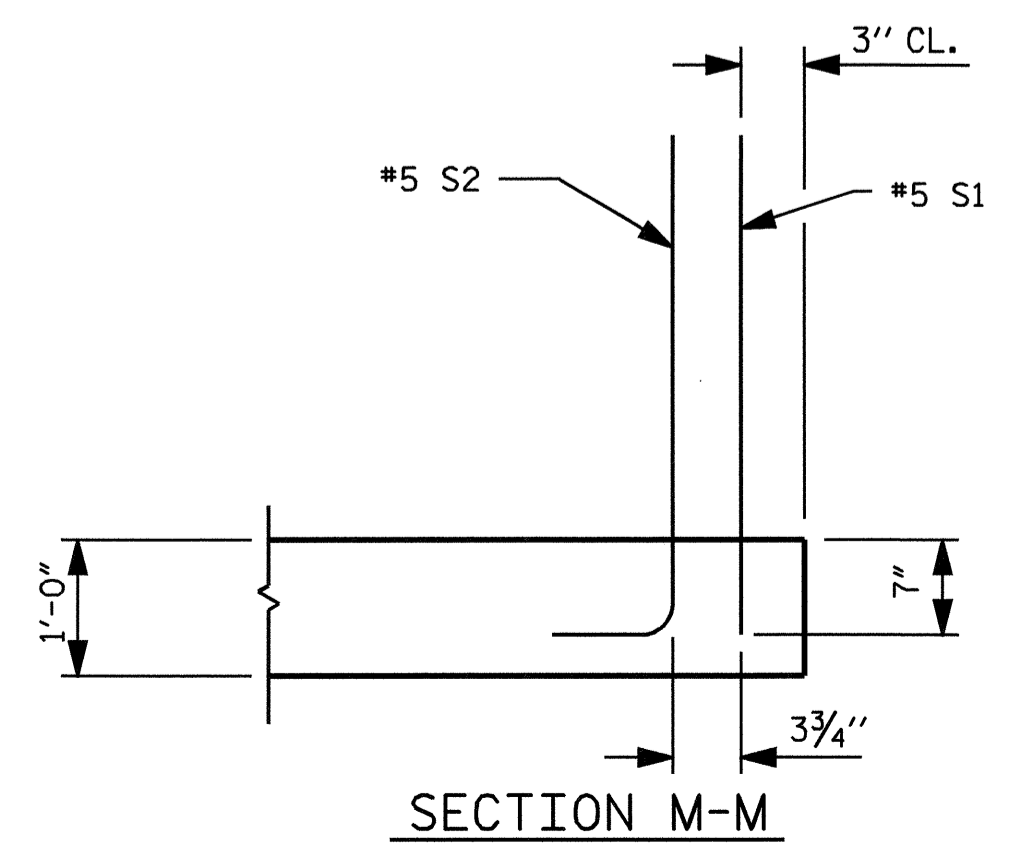


PLAN APPROACH SLAB @ END BENT 1



PLAN APPROACH SLAB @ END BENT 2



PROJECT NO. B-4027
BERTIE COUNTY
 STATION: 18+50.00 -L-

SHEET 1 OF 4

STATE OF NORTH CAROLINA
 DEPARTMENT OF TRANSPORTATION
 RALEIGH

BRIDGE APPROACH
 SLAB FOR FLEXIBLE
 PAVEMENT
 WITH BARRIER RAIL

REVISIONS						SHEET NO.	
NO.	BY:	DATE:	NO.	BY:	DATE:	S-20	
1			3			TOTAL SHEETS	23
2			4				



DRAWN BY: A. CHAN DATE: 6/24/05
 CHECKED BY: K. D. LAYNE DATE: 6/24/05

07-FEB-2006 06:33
 G:\Structures\B4027\Final\B-4027_sd.as.01.dgn
 klayne