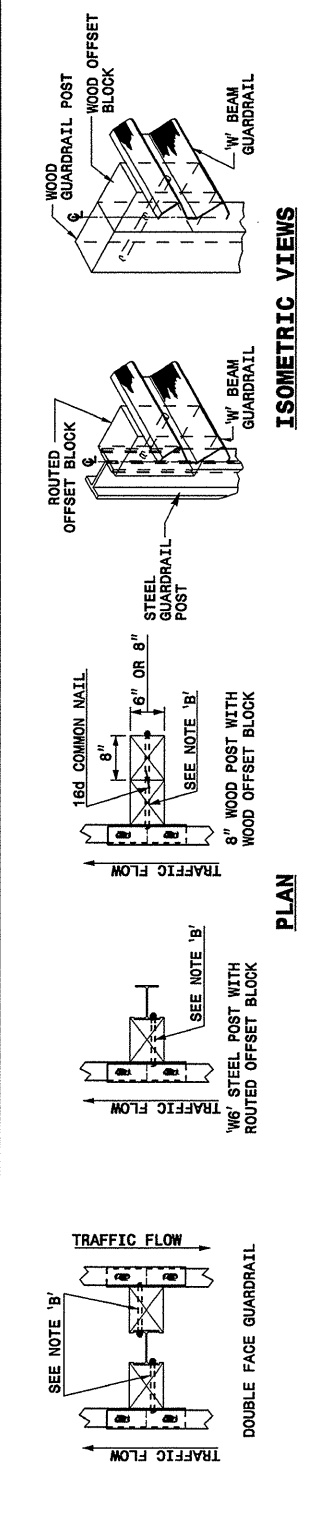


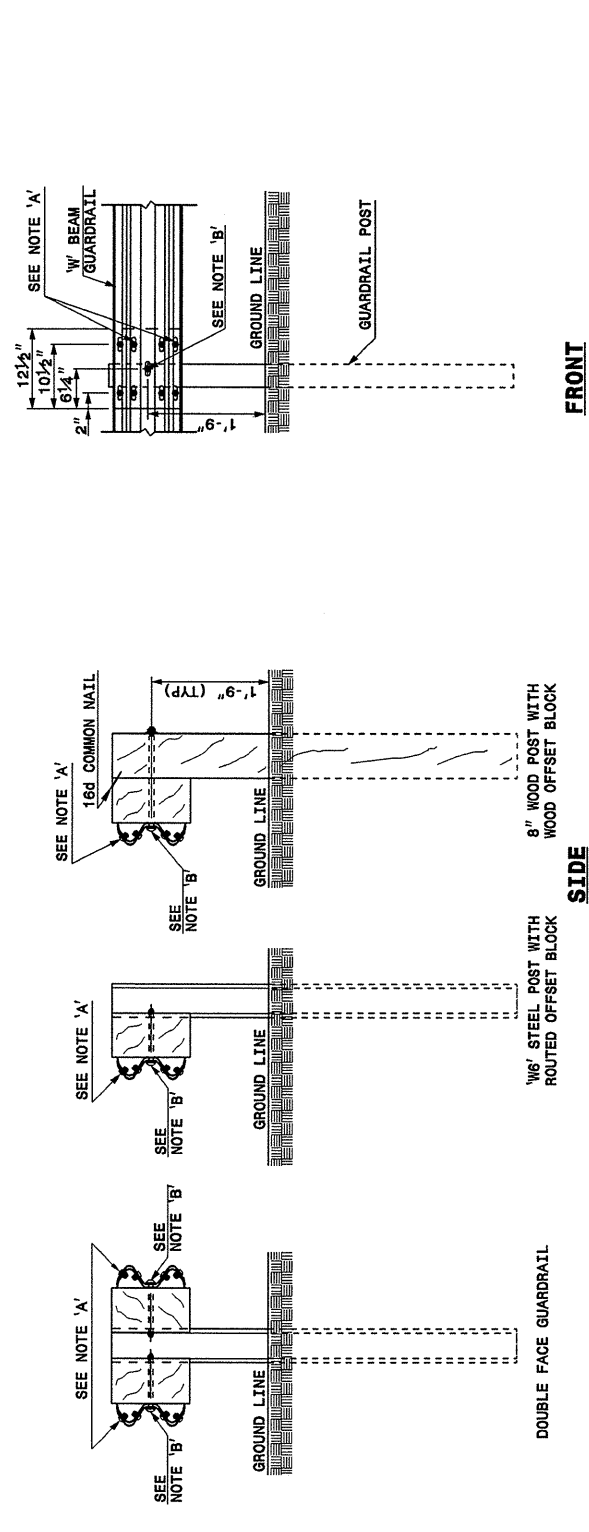
25-OCT-2004 13:45
 C:\pcc\special_details\enlish\stds\02\stds to Special Details\enlish\86202\0862d02.dgn
 enlish\stds\02\stds to Special Details\enlish\86202\0862d02.dgn

STATE OF NORTH CAROLINA
 DEPT. OF TRANSPORTATION
 DIVISION OF HIGHWAYS
 RALEIGH, N.C.

STATE OF NORTH CAROLINA
 DEPT. OF TRANSPORTATION
 DIVISION OF HIGHWAYS
 RALEIGH, N.C.



ENGLISH DETAIL DRAWING FOR
 GUARDRAIL INSTALLATION



ENGLISH DETAIL DRAWING FOR
 GUARDRAIL INSTALLATION

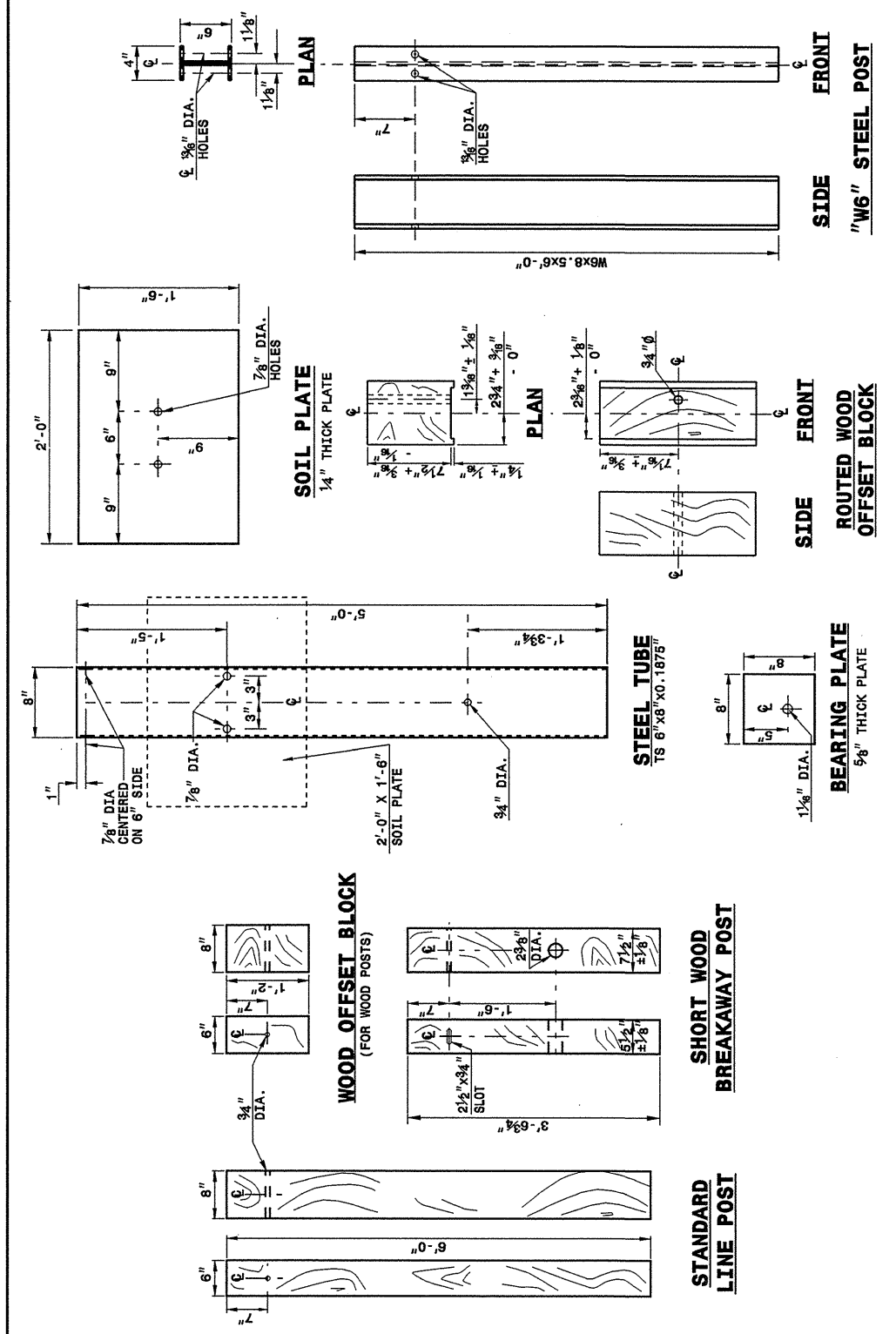
TYPICAL GUARDRAIL AND GUARDRAIL POST ALTERNATIVES

NOTES:
 A - 5/8" DIA. BUTTON HEAD SPLICE BOLT 1 1/4" LONG (8 REQ. PER SPLICE JOINT).
 B - 5/8" DIA. BUTTON HEAD BOLT 7 1/8" / 9" LONG WITH NUT FOR BOLTING 6" / 8" ROUTED OFFSET BLOCK TO STEEL POSTS OR
 5/8" DIA. BUTTON HEAD BOLT 18" LONG WITH STD. WASHER UNDER NUT FOR BOLTING TO WOOD POSTS (1 REQ. PER LOCATION)
 C - FIELD PUNCHING OF HOLES INTO GUARDRAIL SHALL BE AS DIRECTED BY THE ENGINEER.

SHEET 3 OF 7
 862D02

SHEET 3 OF 7
 862D02

STATE OF NORTH CAROLINA
 DEPT. OF TRANSPORTATION
 DIVISION OF HIGHWAYS
 RALEIGH, N.C.



STATE OF NORTH CAROLINA
 DEPT. OF TRANSPORTATION
 DIVISION OF HIGHWAYS
 RALEIGH, N.C.

ENGLISH DETAIL DRAWING FOR
 GUARDRAIL INSTALLATION

SHEET 4 OF 7
 862D02

SHEET 4 OF 7
 862D02

PROJECT SERVICES UNIT
 STANDARDS AND SPECIAL DESIGN
 Office 919-250-4128 FAX 919-250-4119

SEE PLATE FOR TITLE

ORIGINAL BY: 2002 STD. 862.02 DATE:
 MODIFIED BY: E.E. WARD DATE: 02-09-03
 CHECKED BY: DATE:
 FILE SPEC.: /usr/stds/02stdetail/enlish/86202/862d02.dgn