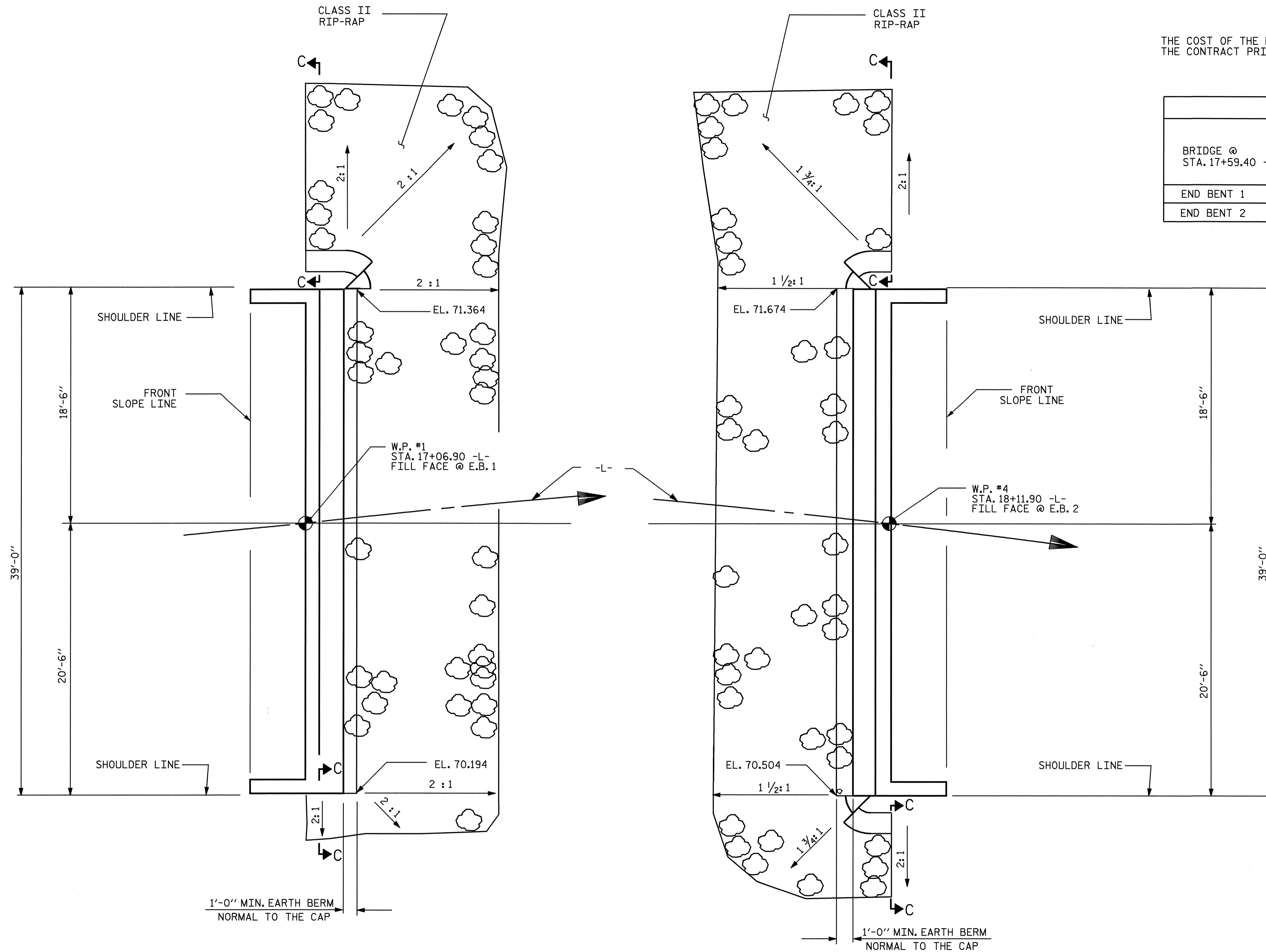


NOTES :

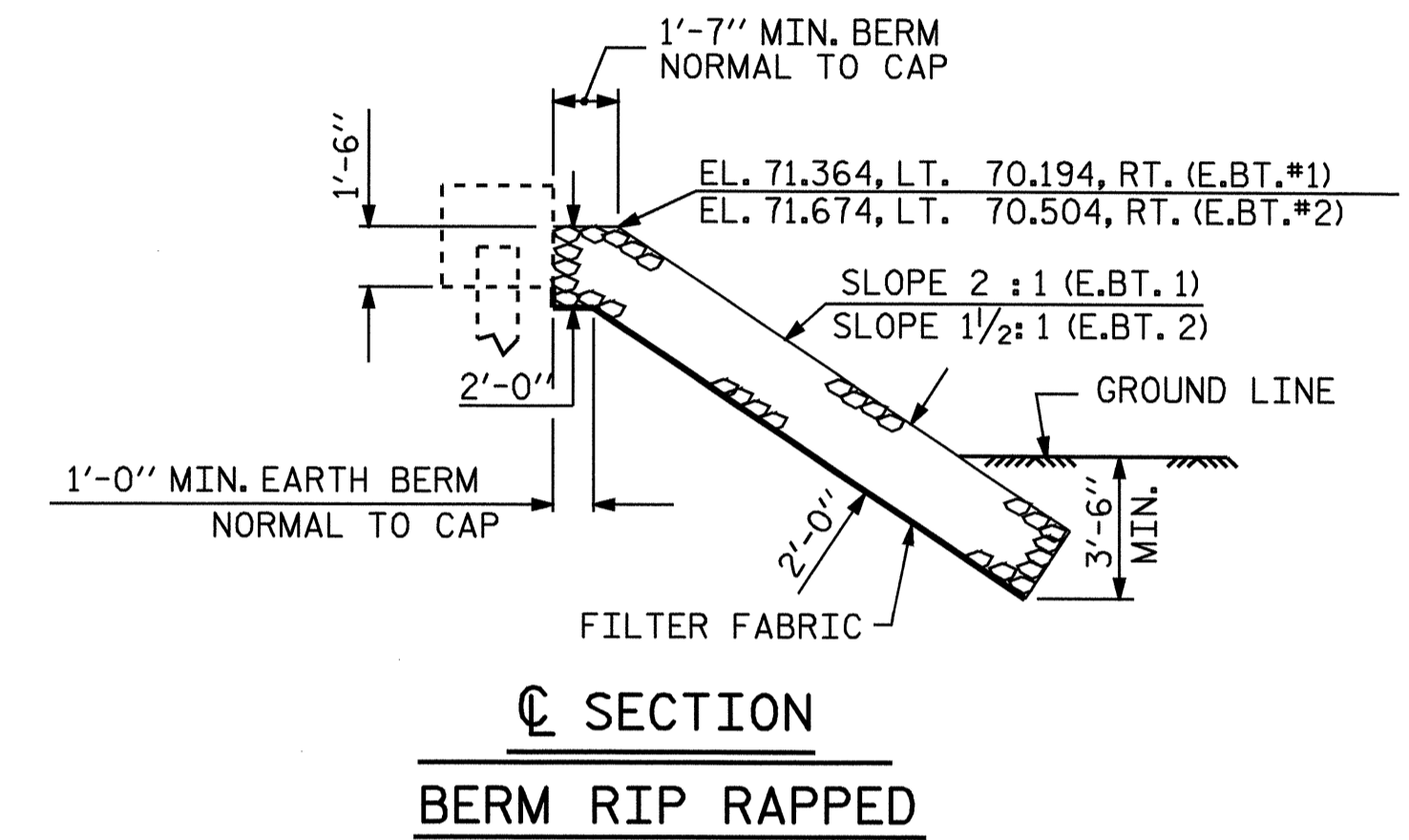
THE COST OF THE FILTER FABRIC SHALL BE INCLUDED IN THE CONTRACT PRICE BID FOR PLAIN RIP RAP CLASS II.

ESTIMATED QUANTITIES		
BRIDGE @ STA. 17+59.40 -L-	PLAIN RIP RAP CLASS II	FILTER FABRIC FOR DRAINAGE
	TONS	SQUARE YARDS
END BENT 1	77	85
END BENT 2	81	90

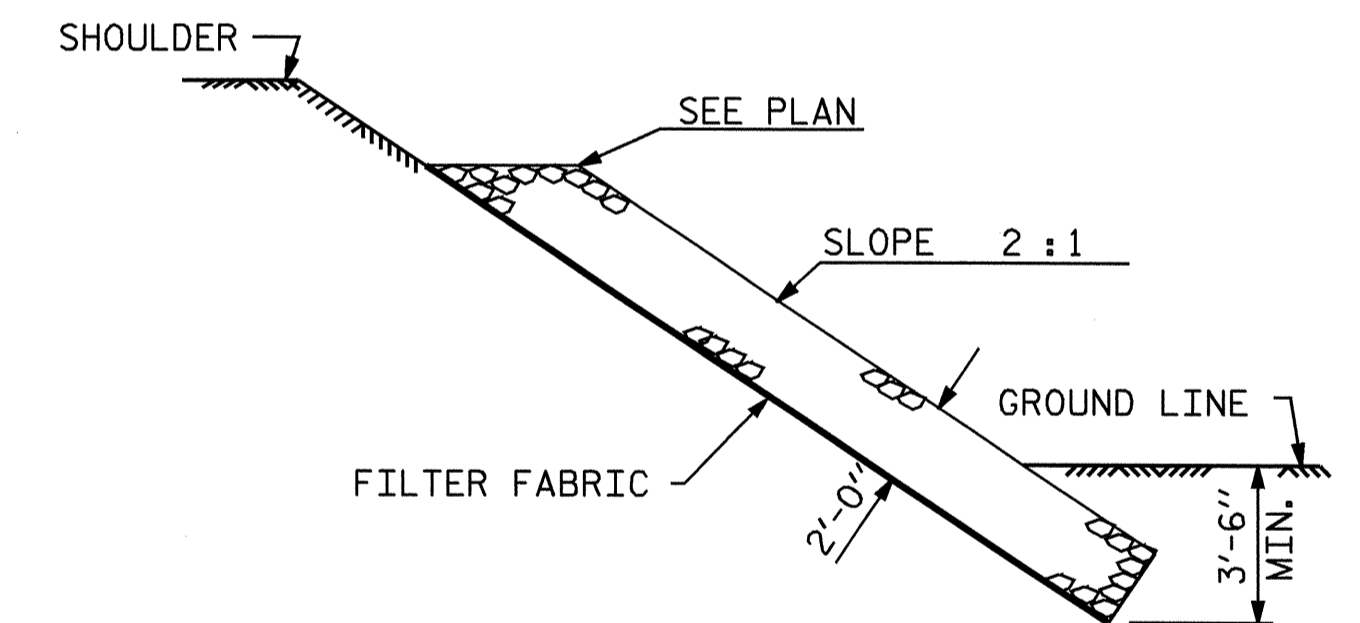


PLAN

NOTE: FILTER FABRIC SHALL BE PLACED UNDER ENTIRE AREA OF RIP RAP

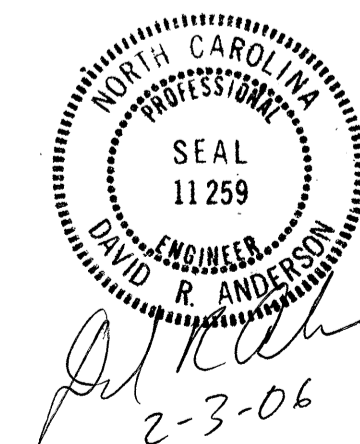


**SECTION C-C
BERM RIP RAPPED**



SECTION C-C

PROJECT NO. B-3639
EDGEcombe COUNTY
 STATION: 17+59.40 -L-



STATE OF NORTH CAROLINA DEPARTMENT OF TRANSPORTATION RALEIGH					
RIP RAP DETAILS					
REVISIONS					
NO.	BY:	DATE:	NO.	BY:	DATE:
1			3		
2			4		

SHEET NO.
S-17
TOTAL SHEETS
20

03-FEB-2005 09:37 I:\Structure\17+59.40\17+59.40\wg\B3639-rr.dgn danderson

DRAWN BY : N. Q. TRAN DATE : 7-13-05
 CHECKED BY : S.M. RASHIDI DATE : 9-16-05