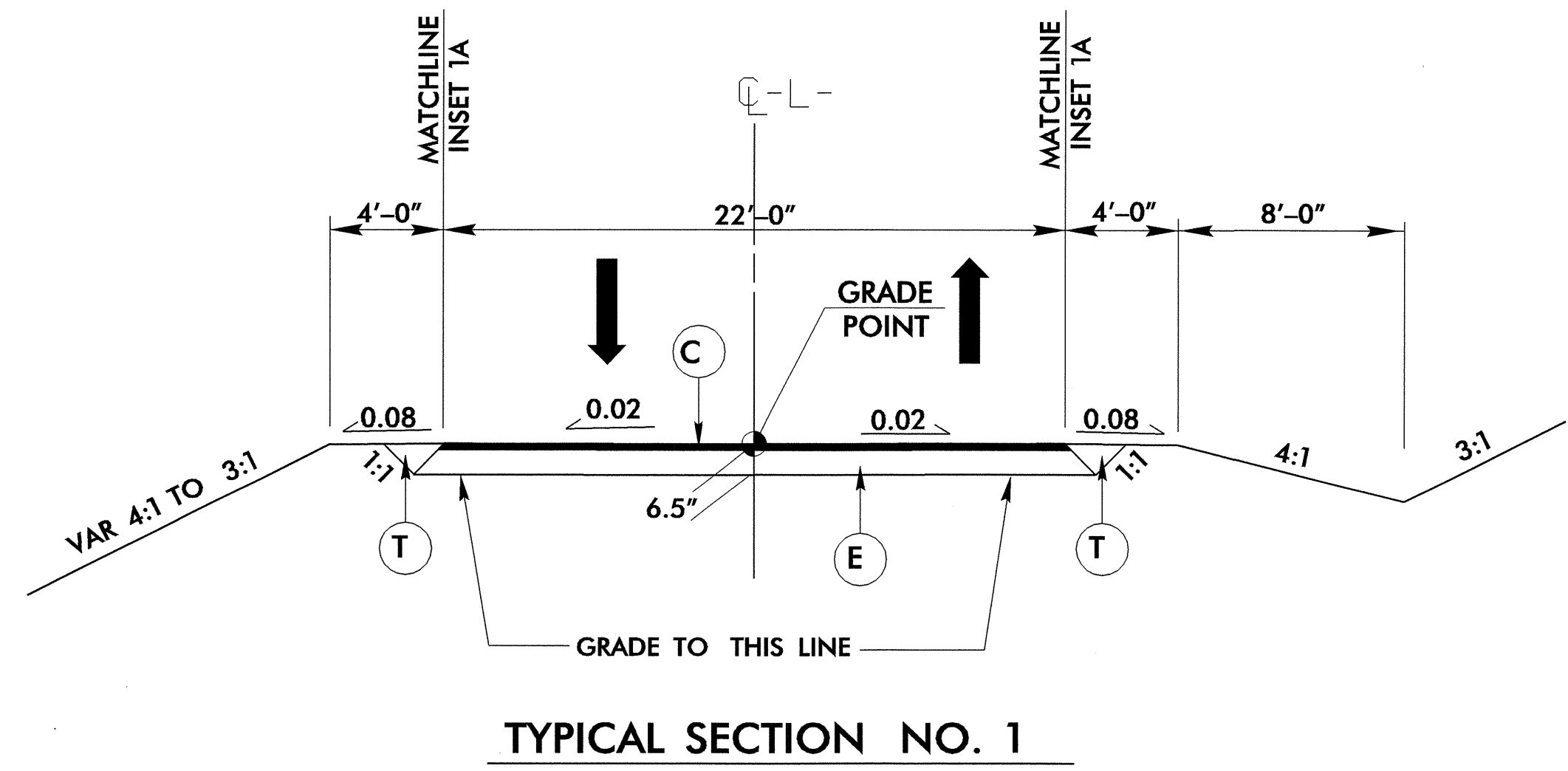
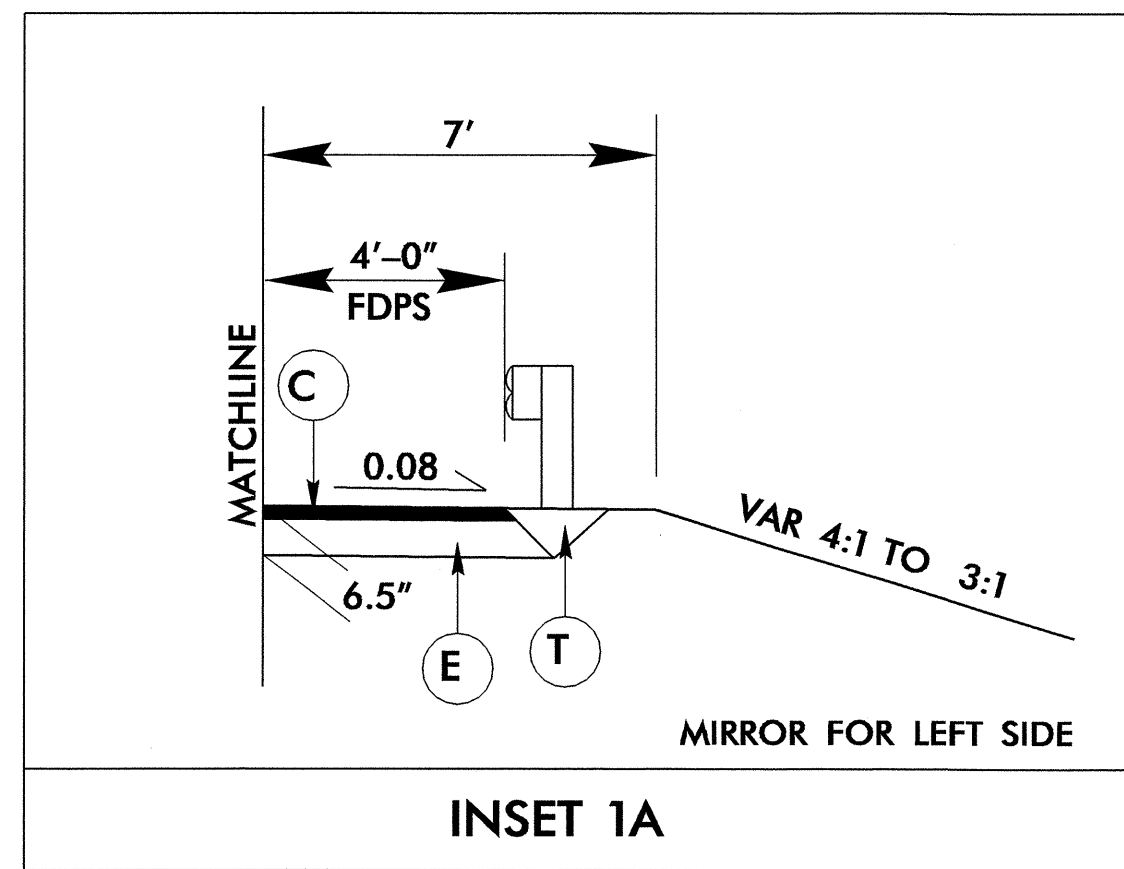
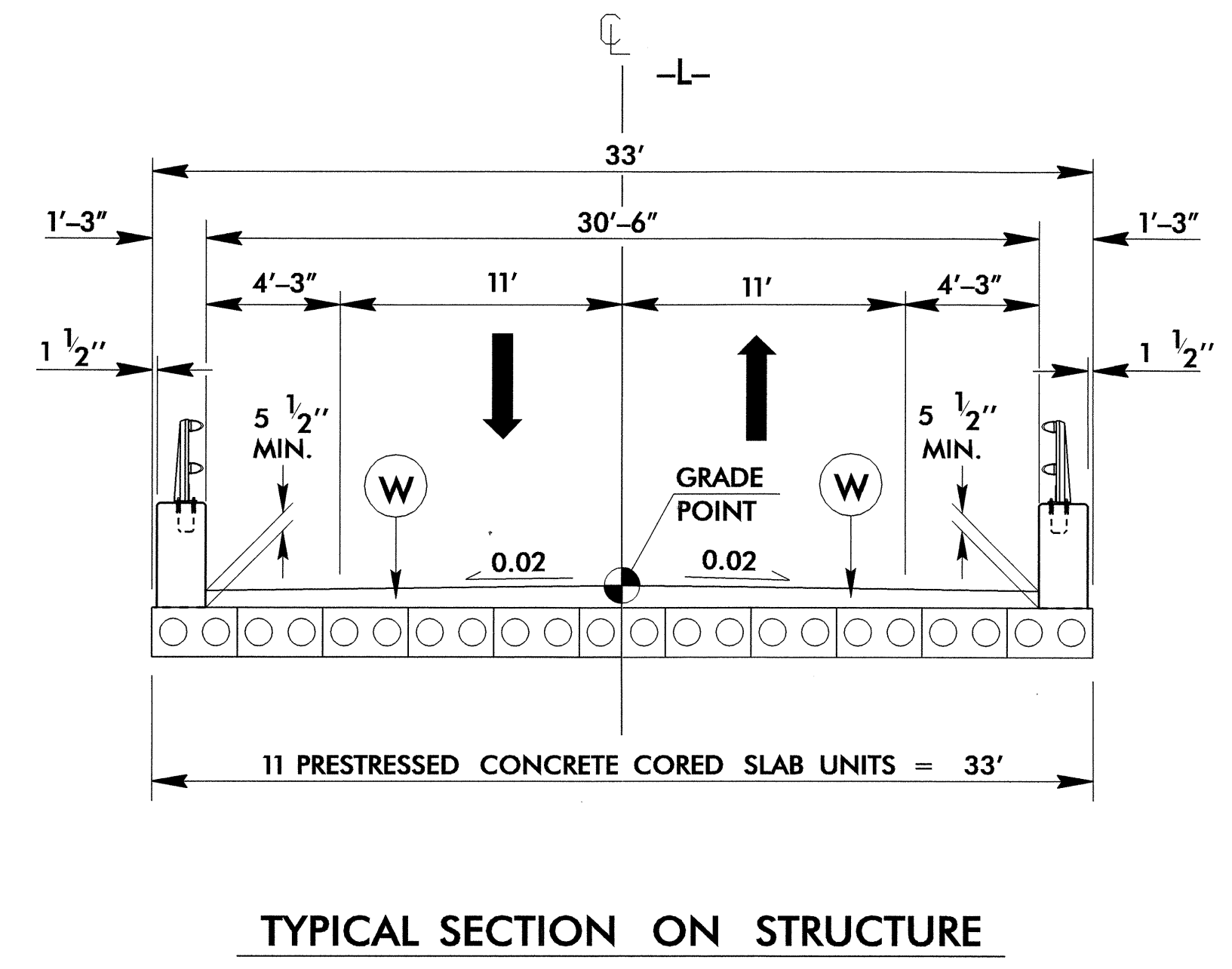
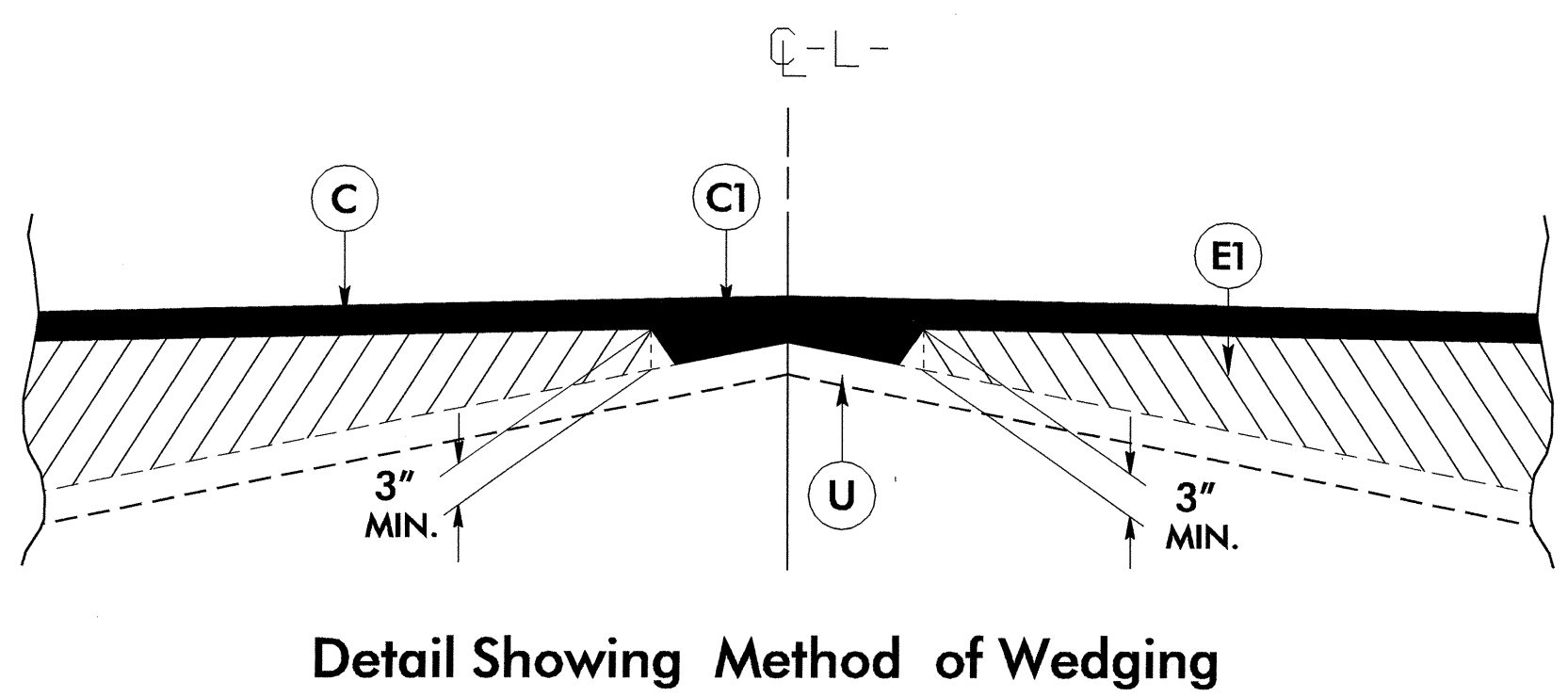


PAVEMENT SCHEDULE

C	PROP. APPROX. 2 1/2" ASPHALT CONCRETE SURFACE COURSE TYPE SF9.5A, AT AN AVERAGE RATE OF 137.5 LBS. PER SQ. YD. IN EACH OF TWO LAYERS.	T	EARTH MATERIAL.
C1	PROP. VAR. DEPTH ASPHALT CONCRETE SURFACE COURSE, TYPE SF9.5A, AT AN AVERAGE RATE OF 110 LBS. PER SQ. YD. PER 1" DEPTH TO BE PLACED IN LAYERS NOT LESS THAN 1" IN DEPTH OR GREATER THAN 2" IN DEPTH.	U	EXISTING PAVEMENT.
E	PROP. APPROX. 4" ASPHALT CONCRETE BASE COURSE, TYPE B25.0B, AT AN AVERAGE RATE OF 456 LBS. PER SQ. YD.	W	VARIABLE DEPTH ASPHALT PAVEMENT (SEE DETAIL SHOWING METHOD OF WEDGING)
E1	PROP. VAR. DEPTH ASPHALT CONCRETE BASE COURSE, TYPE B25.0B, AT AN AVERAGE RATE OF 114 LBS. PER SQ. YD. PER 1" DEPTH. TO BE PLACED IN LAYERS NOT LESS THAN 3" IN DEPTH OR GREATER THAN 5 1/2" IN DEPTH.	NOTE: PAVEMENT EDGE SLOPES ARE 1:1 UNLESS SHOWN OTHERWISE.	



USE TYPICAL SECTION NO. 1
 -L- STA. 14+00.00 TO STA. 16+90.00 (BEGIN BRIDGE)
 (END BRIDGE) -L- STA. 18+35.00 TO STA. 21+50.00
 USE INSET 1A IN GUARDRAIL LOCATIONS
 TRANSITION TO EXISTING
 -L- STA. 13+00.00 TO STA. 14+00.00
 -L- STA. 21+50.00 TO STA. 22+00.00



USE TYPICAL SECTION NO. 2
 STA 16+90.00 TO 18+35.00

6/27/99
 24-JAN-2006 15:10
 F:\rockwell\proj\B4224_r.dwg - typ.dgn
 \$\$\$\$USER:RCH\$\$\$