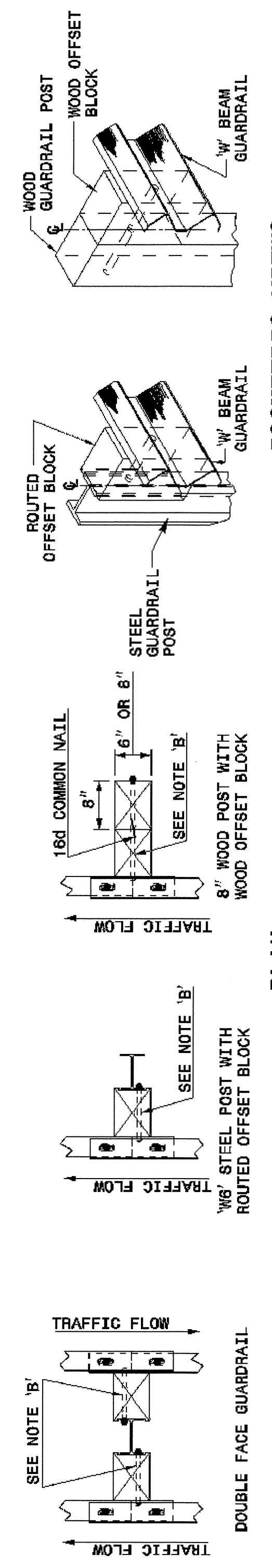


25-c00-2004\_13445  
 er:\cadd\dep\2004\stds\02\Specs\Details\english\86202\08582d02.dwg  
 08/22/04 10:52:25

STATE OF NORTH CAROLINA  
 DEPT. OF TRANSPORTATION  
 DIVISION OF HIGHWAYS  
 RALEIGH, N.C.

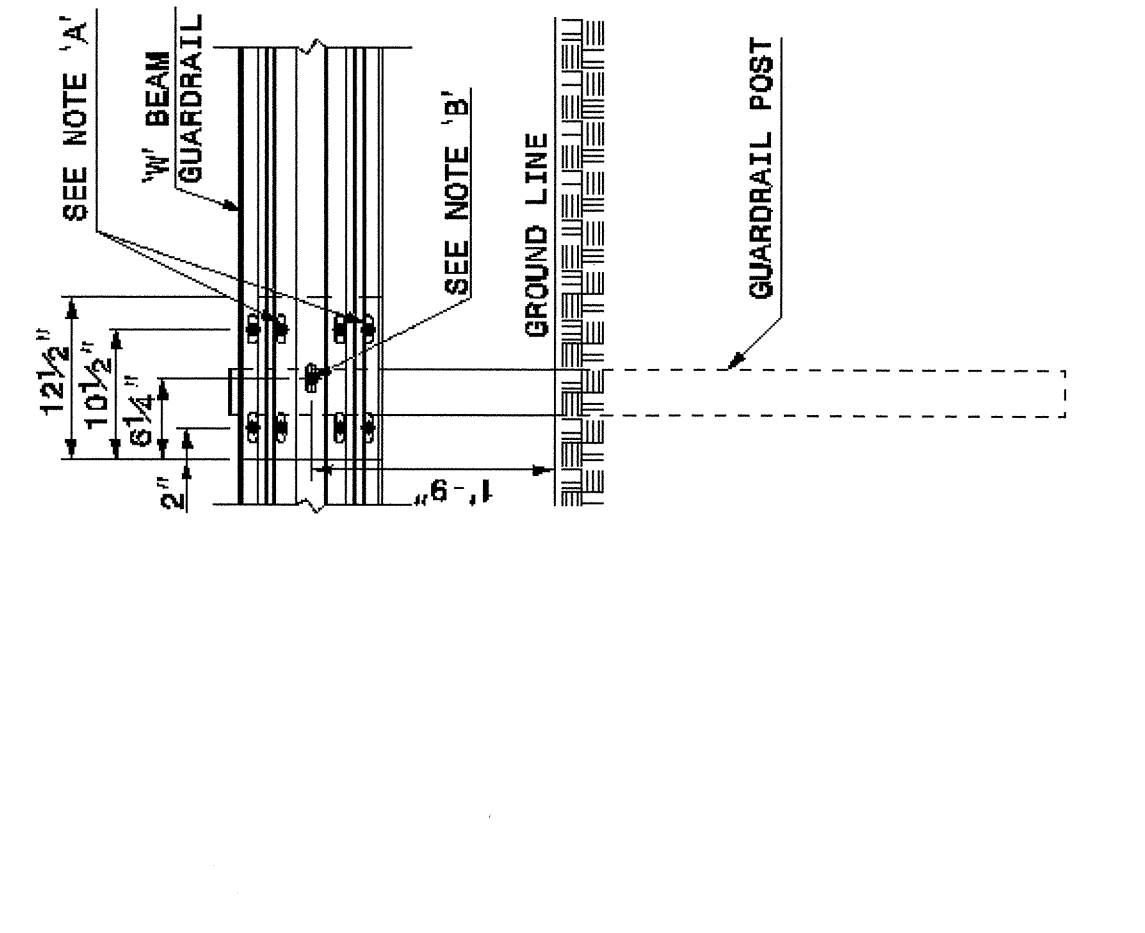
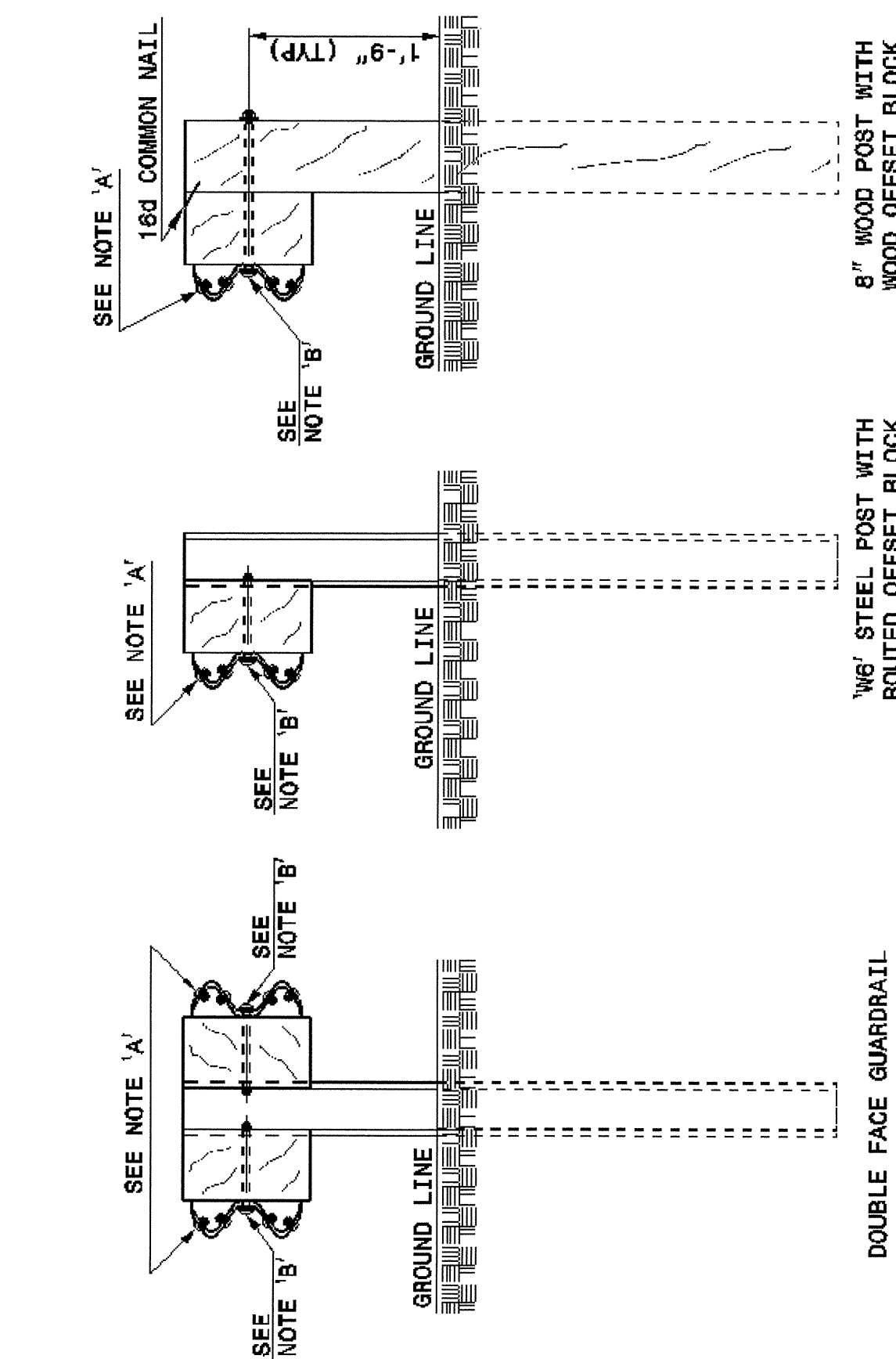
STATE OF NORTH CAROLINA  
 DEPT. OF TRANSPORTATION  
 DIVISION OF HIGHWAYS  
 RALEIGH, N.C.



**ISOMETRIC VIEWS**

ENGLISH DETAIL DRAWING FOR  
**GUARDRAIL INSTALLATION**

ENGLISH DETAIL DRAWING FOR  
**GUARDRAIL INSTALLATION**



**FRONT**

**SIDE**

- NOTES:
- A - 5/8" DIA. BUTTON HEAD SPLICE BOLT 1 1/4" LONG (8 REQ. PER SPLICE JOINT).
  - B - 5/8" DIA. BUTTON HEAD BOLT 7 1/2" / 9" LONG WITH NUT FOR BOLTING 6" / 8" ROUTED OFFSET BLOCK TO STEEL POSTS OR 5/8" DIA. BUTTON HEAD BOLT 18" LONG WITH STD. WASHER UNDER NUT FOR BOLTING TO WOOD POSTS (1 REQ. PER LOCATION)
  - C - FIELD PUNCHING OF HOLES INTO GUARDRAIL SHALL BE AS DIRECTED BY THE ENGINEER.

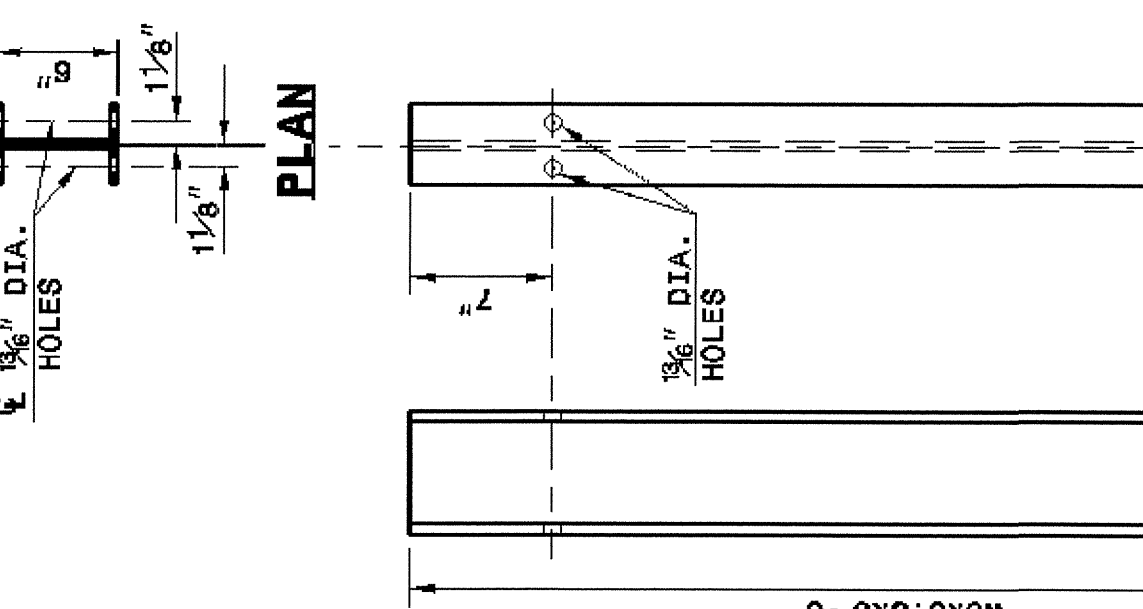
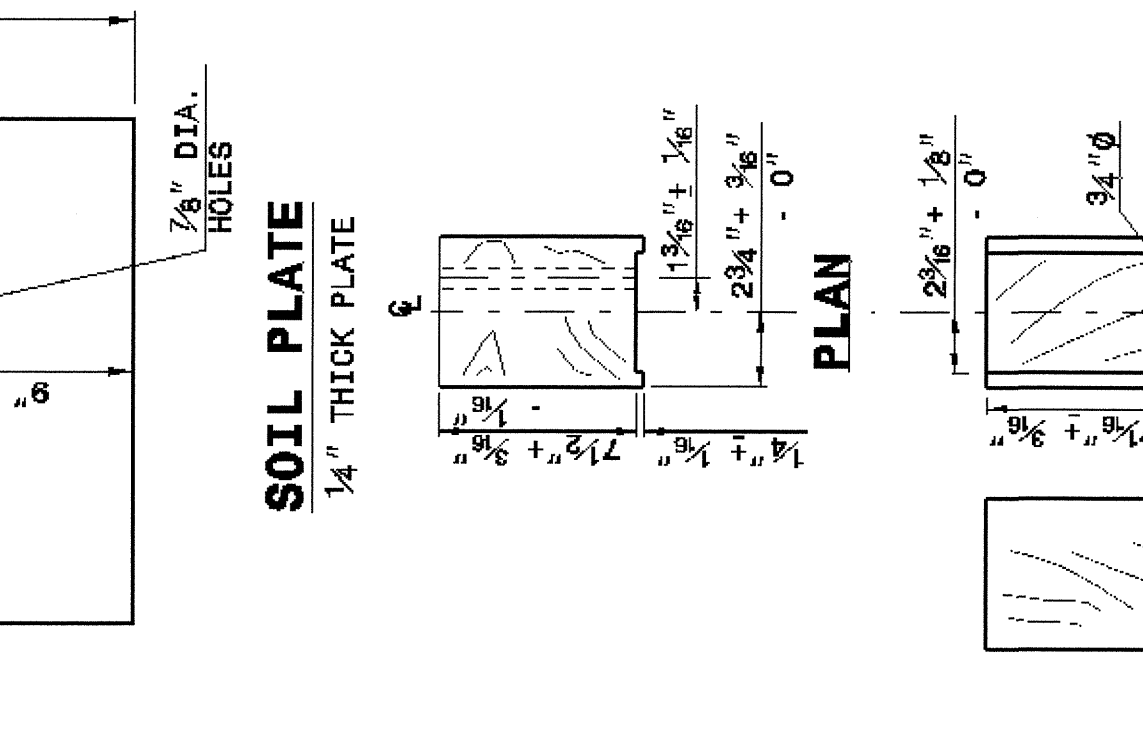
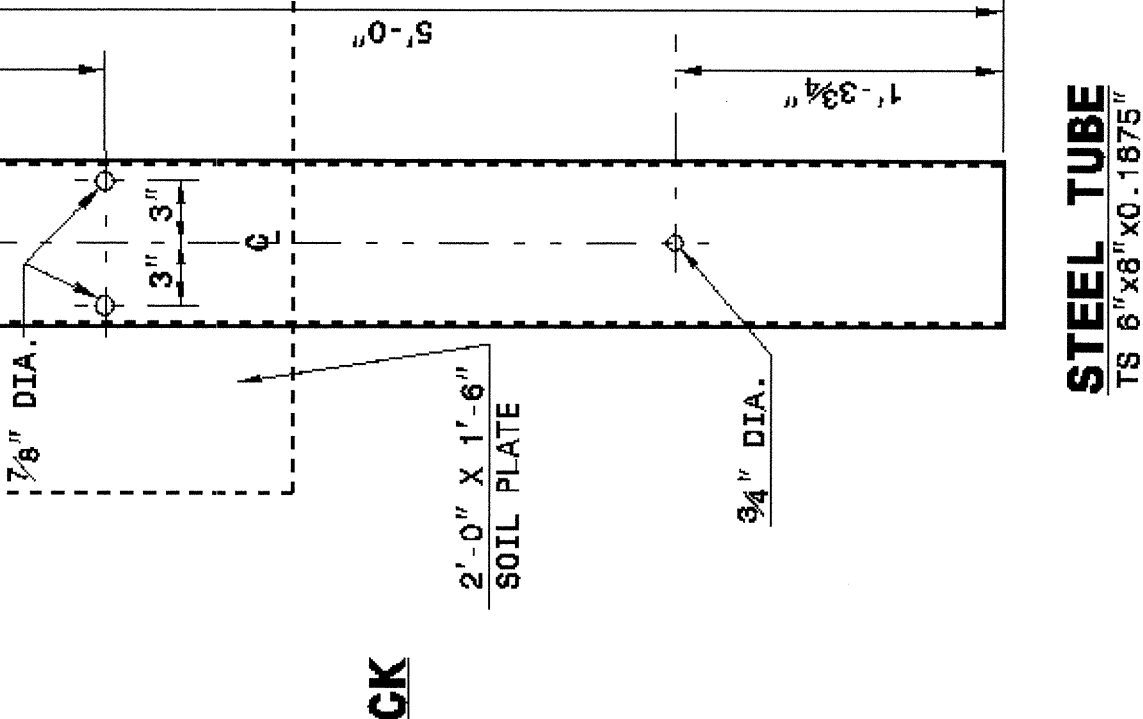
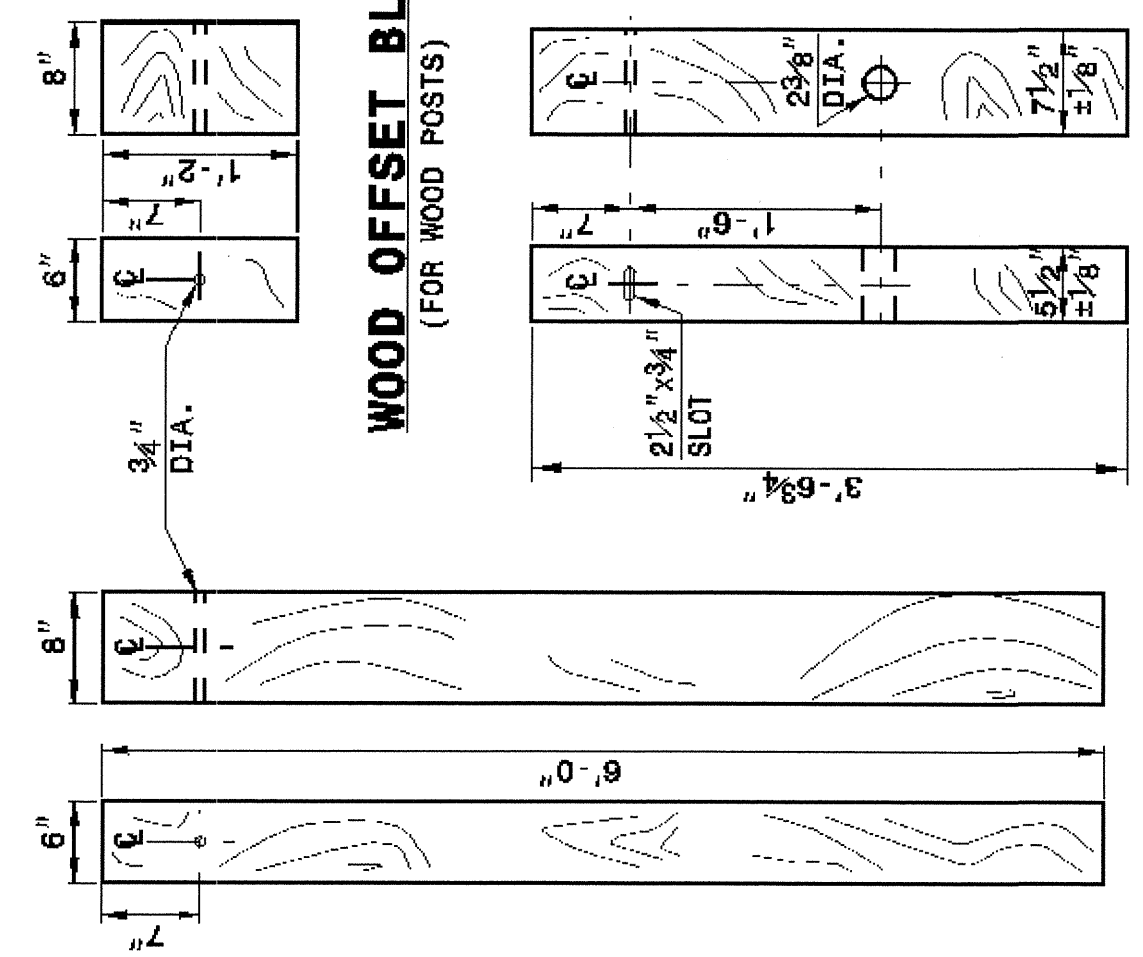
**TYPICAL GUARDRAIL AND GUARDRAIL POST ALTERNATIVES**

SHEET 3 OF 7  
**862D02**

SHEET 3 OF 7  
**862D02**

STATE OF NORTH CAROLINA  
 DEPT. OF TRANSPORTATION  
 DIVISION OF HIGHWAYS  
 RALEIGH, N.C.

STATE OF NORTH CAROLINA  
 DEPT. OF TRANSPORTATION  
 DIVISION OF HIGHWAYS  
 RALEIGH, N.C.



**WOOD OFFSET BLOCK  
 (FOR WOOD POSTS)**

**STEEL TUBE  
 TS 6"x8"x0.1675"**

**SOIL PLATE  
 1/4" THICK PLATE**

**PLAN**

**STANDARD LINE POST**

**SHORT WOOD BREAKAWAY POST**

**FRONT SIDE**

**FRONT SIDE**

ENGLISH DETAIL DRAWING FOR  
**GUARDRAIL INSTALLATION**

ENGLISH DETAIL DRAWING FOR  
**GUARDRAIL INSTALLATION**

**BEARING PLATE  
 3/8" THICK PLATE**

**FRONT SIDE**

**FRONT SIDE**

SHEET 4 OF 7  
**862D02**

SHEET 4 OF 7  
**862D02**

**PROJECT SERVICES UNIT  
 STANDARDS AND SPECIAL DESIGN**  
 Office 919-250-4128 FAX 919-250-4119

**SEE PLATE FOR TITLE**

ORIGINAL BY: 2002 STD.862.02 DATE:  
 MODIFIED BY: E.E. WARD DATE: 02-09-03  
 CHECKED BY: DATE:  
 FILE SPEC.: /usr/stds/02todeta11/english/86202/862d02.dgn

