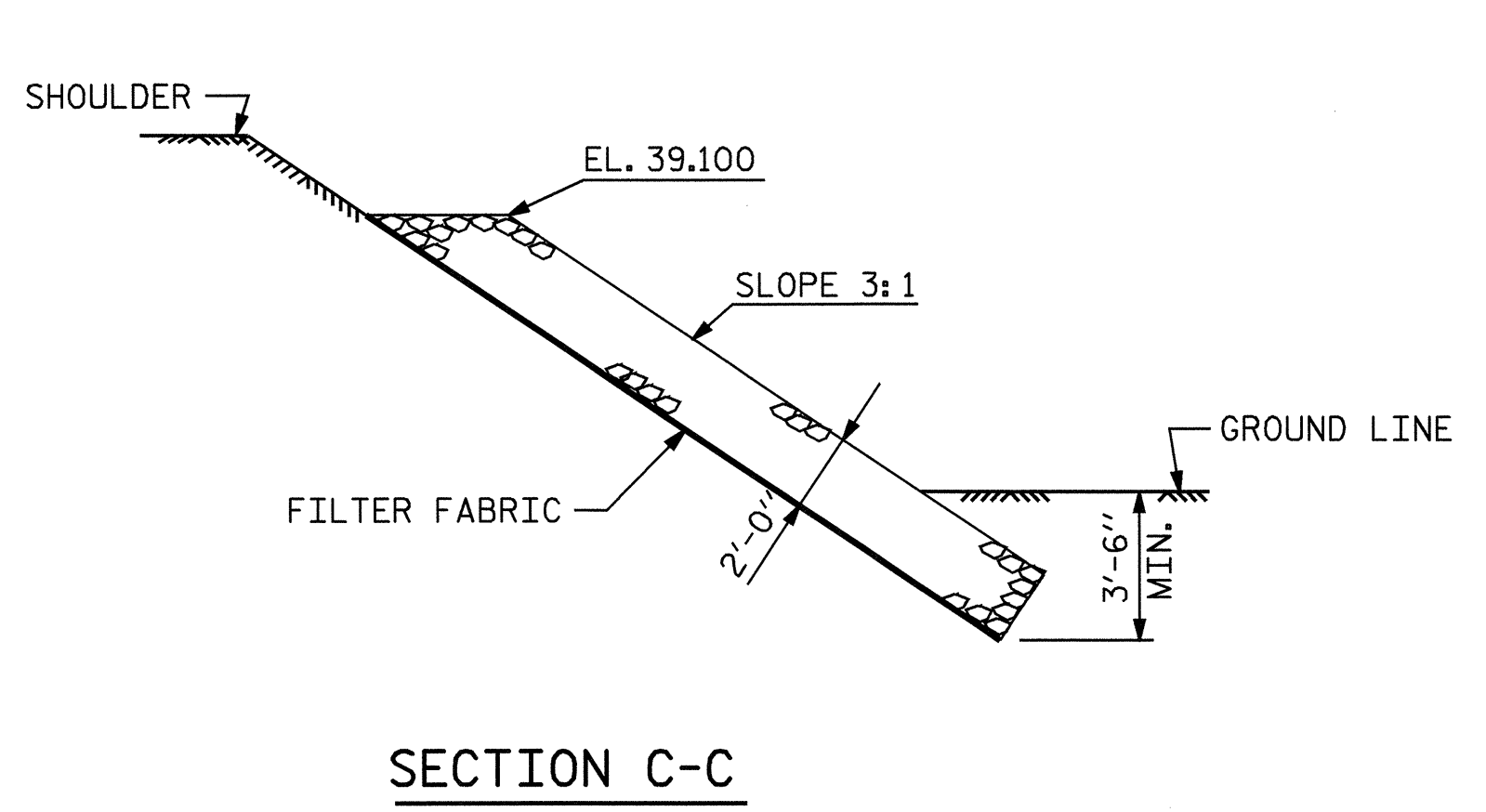
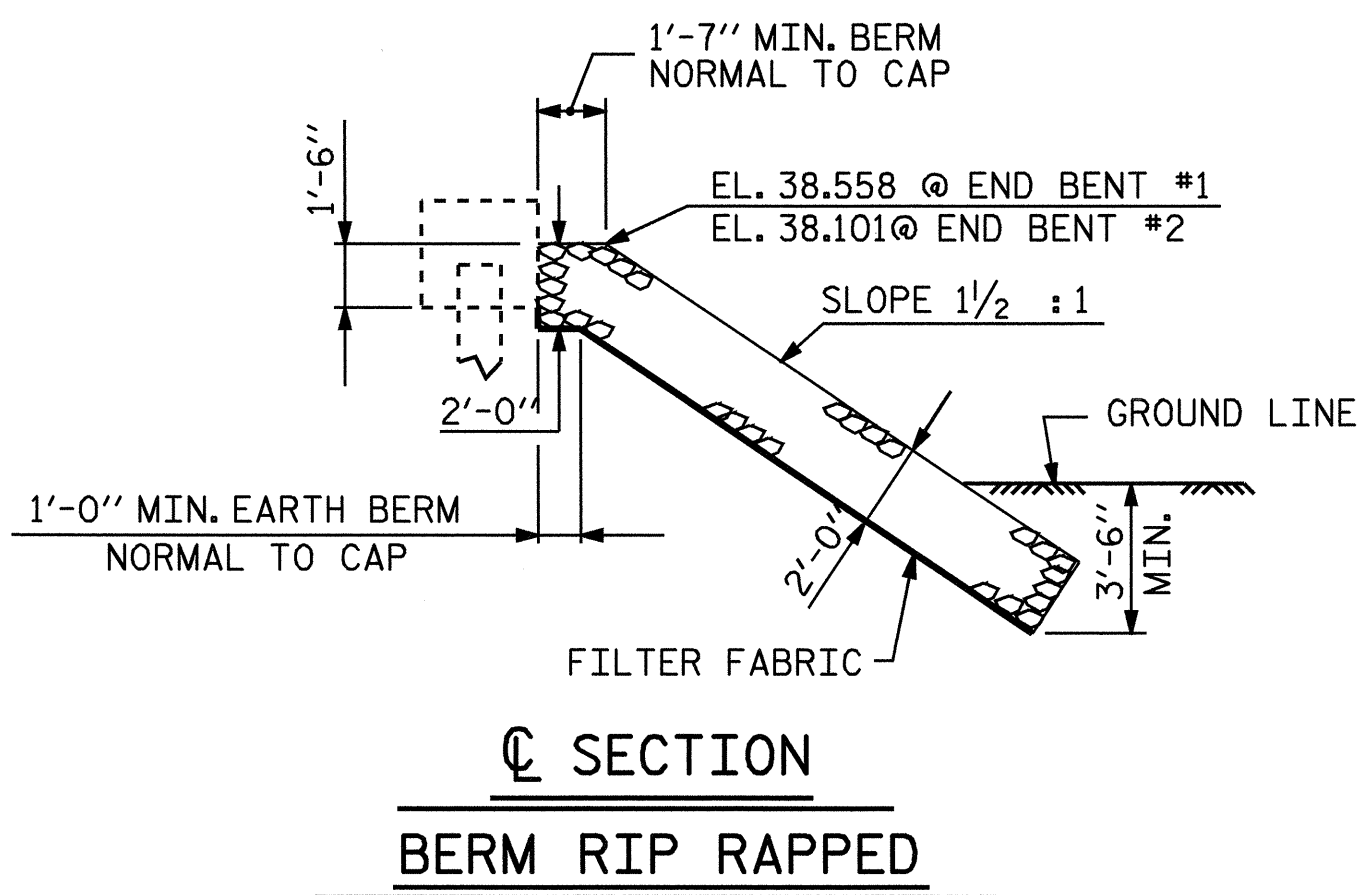
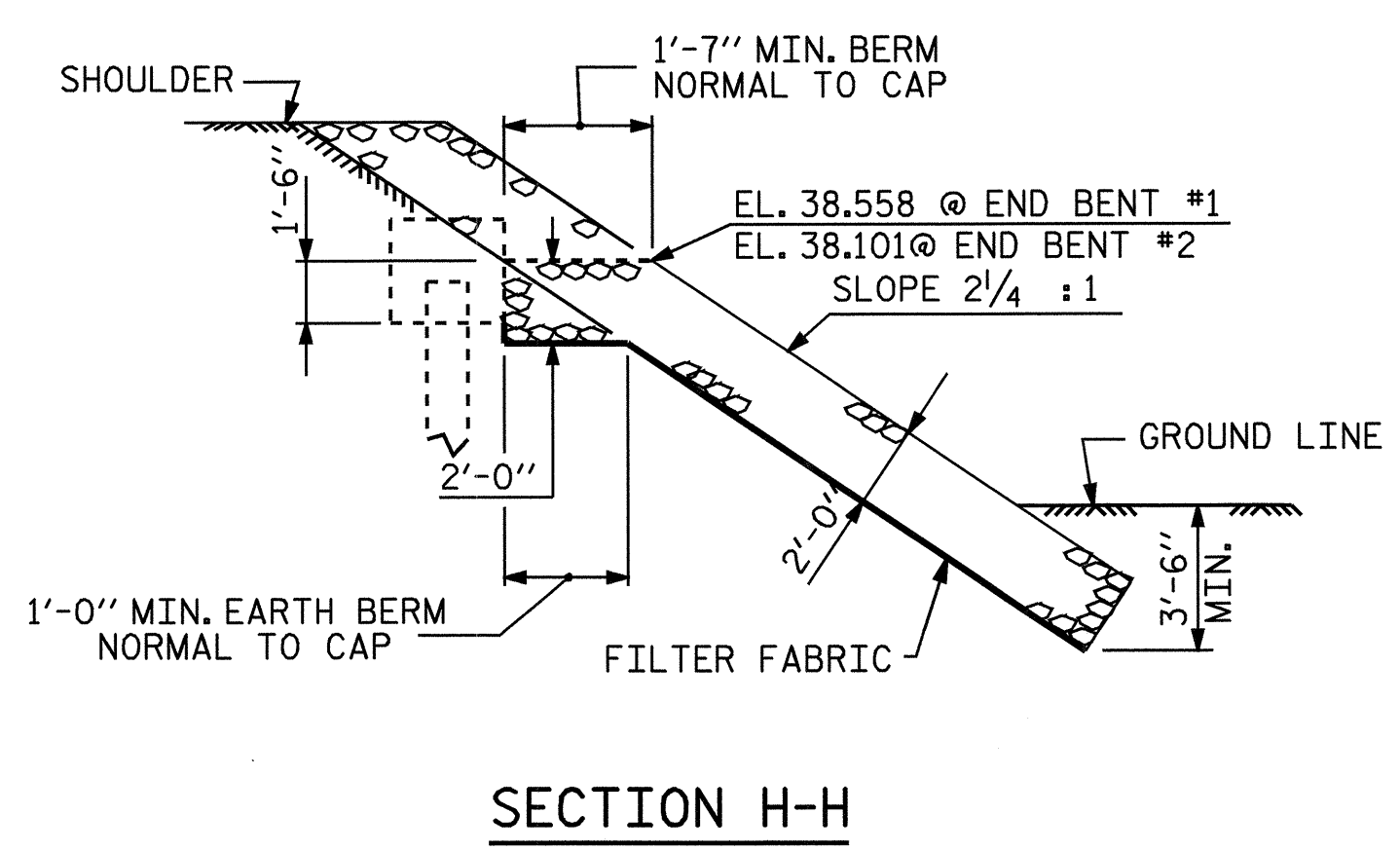
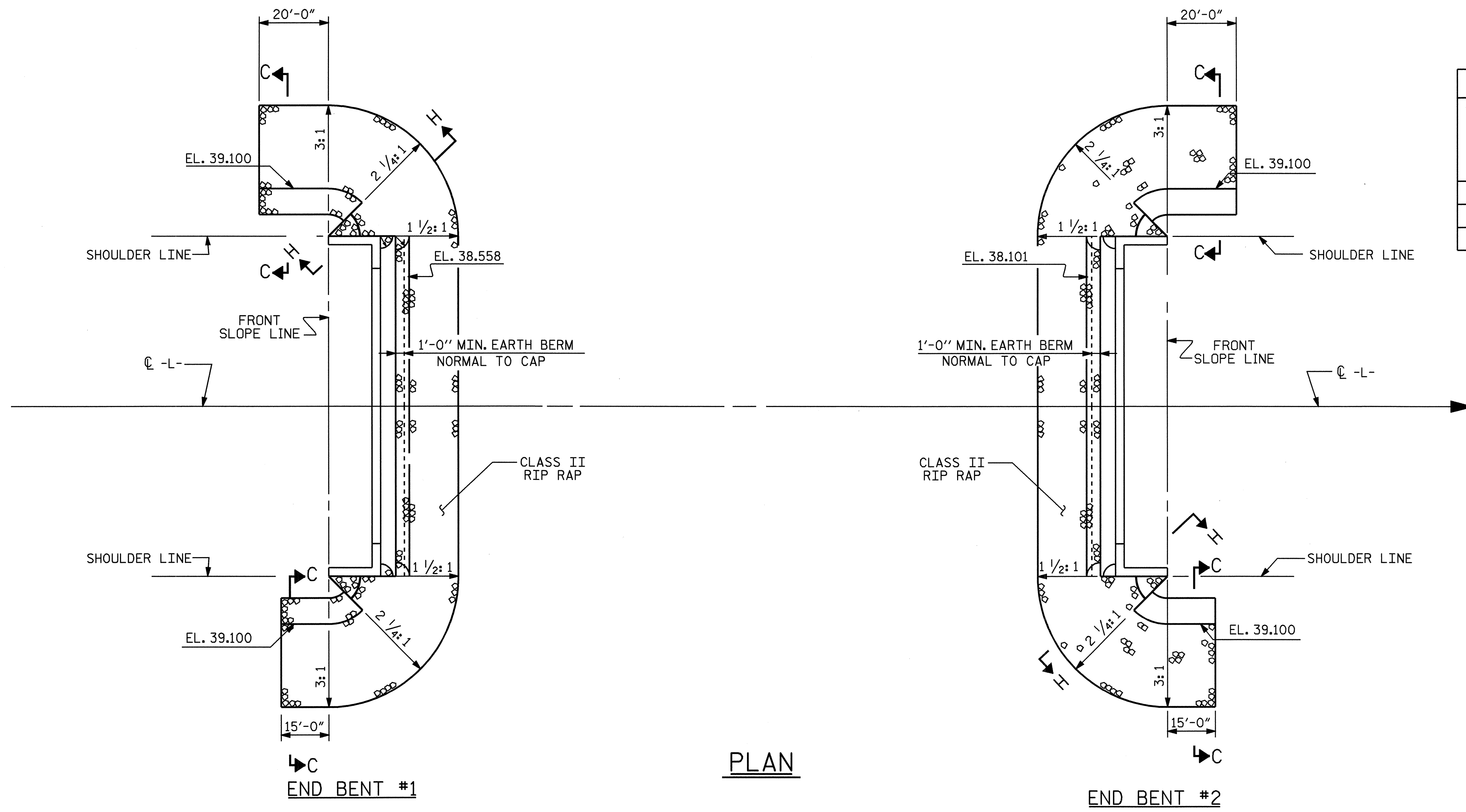


NOTES :
 FOR BERM WIDTH DIMENSIONS, SEE GENERAL DRAWING.
 THE COST OF THE FILTER FABRIC SHALL BE INCLUDED IN THE CONTRACT PRICE BID FOR PLAIN RIP RAP CLASS II.

ESTIMATED QUANTITIES		
BRIDGE @ STA. 17+62.50-L-	PLAIN RIP RAP CLASS II	FILTER FABRIC FOR DRAINAGE
	TONS	SQUARE YARDS
END BENT 1	203	225
END BENT 2	169	188
TOTAL	372	413

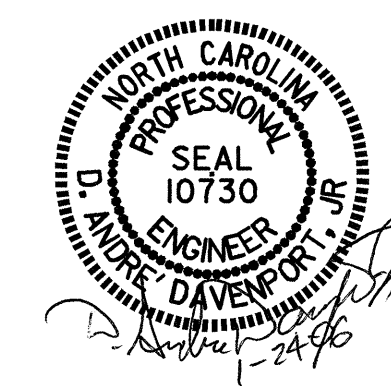


PROJECT NO. B-4224
 PENDER/DUPLIN COUNTY
 STATION: 17+62.50 -L-

STATE OF NORTH CAROLINA
 DEPARTMENT OF TRANSPORTATION
 RALEIGH

— RIP RAP DETAILS —

REVISIONS						SHEET NO.	
NO.	BY:	DATE:	NO.	BY:	DATE:	S-26	
1			3			TOTAL SHEETS 28	
2			4				



ASSEMBLED BY : H. T. BARBOUR DATE : 2-2-05
 CHECKED BY : S.P. LAM DATE : 2-8-05
 DRAWN BY : FCJ 2/88
 CHECKED BY : ARB 8/88