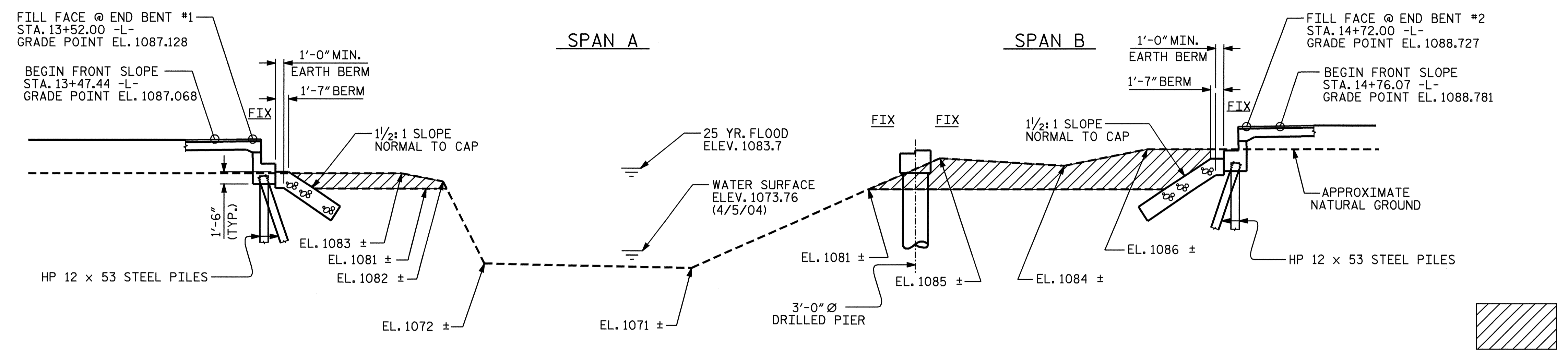


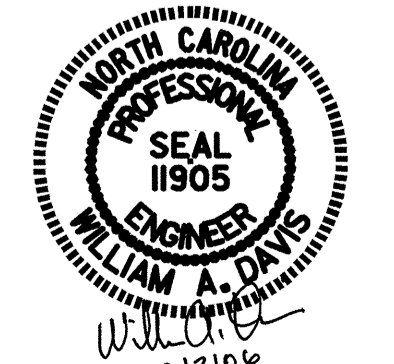
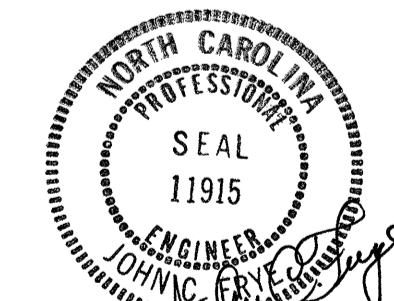
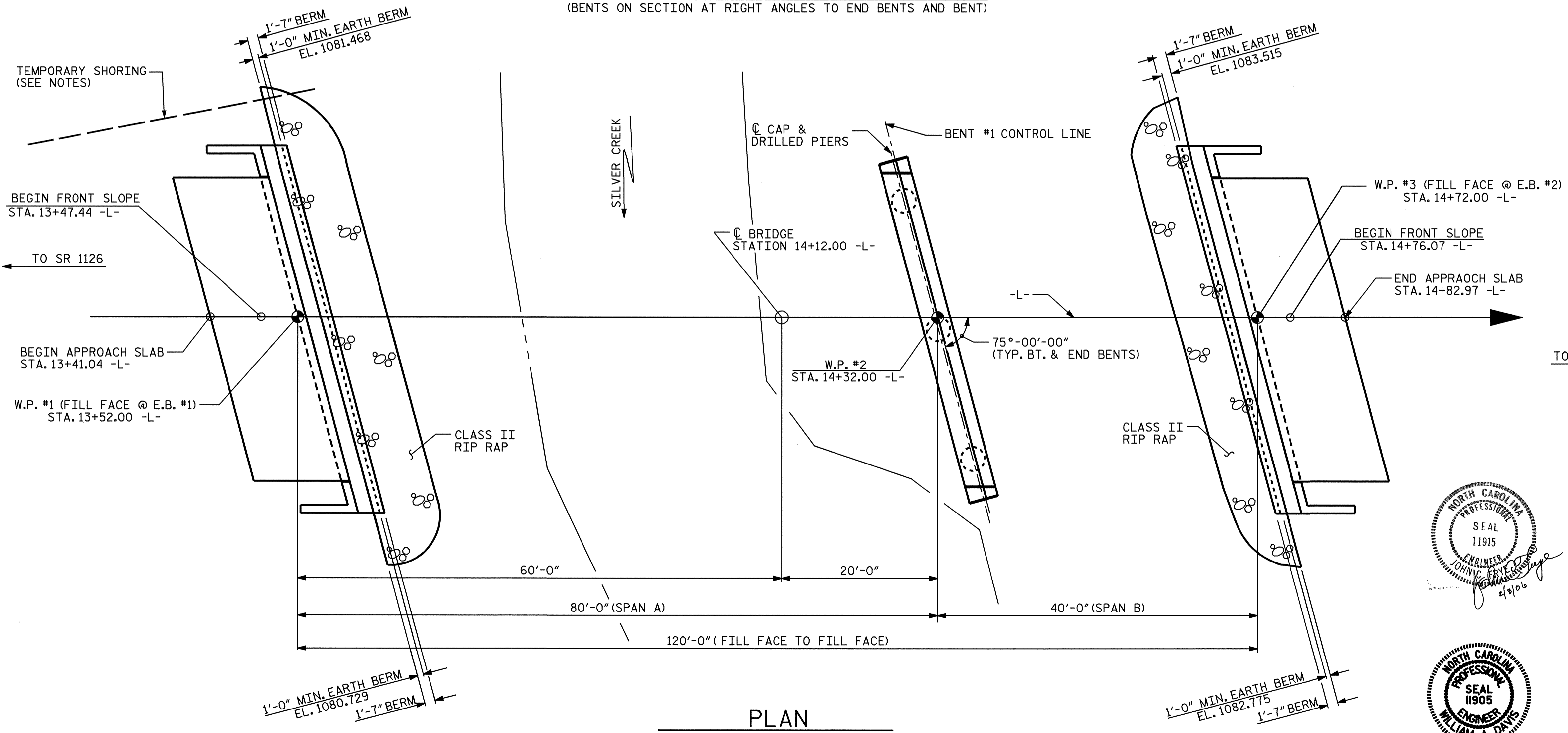
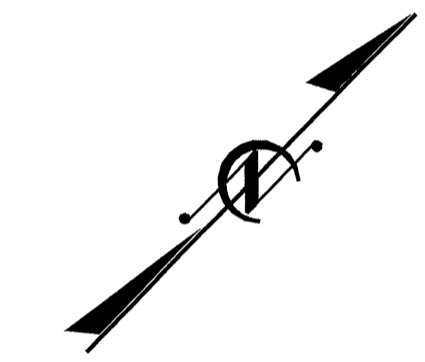
PI = 12+14.75
 EL = 1085.30
 VC = 240'

0.0124% 1.3321%
GRADE DATA

1110
 1100
 1090
 1080
 1070



UNCLASSIFIED STRUCTURE EXCAVATION



PROJECT NO. B-4039
BURKE COUNTY
 STATION: 14+12.00 -L-
 SHEET 1 OF 3 REPLACES BRIDGE NO. 91

STATE OF NORTH CAROLINA
 DEPARTMENT OF TRANSPORTATION
 RALEIGH
**GENERAL DRAWING
 FOR BRIDGE OVER
 SILVER CREEK ON
 SR 1127 BETWEEN
 SR 1126 AND SR 1142**

REVISIONS						SHEET NO.
NO.	BY:	DATE:	NO.	BY:	DATE:	S-1
1			3			TOTAL SHEETS
2			4			26

DRAWN BY: J. G. KHARVA DATE: 9/26/05
 CHECKED BY: J. L. WALTON / WAD DATE: 12/19/05