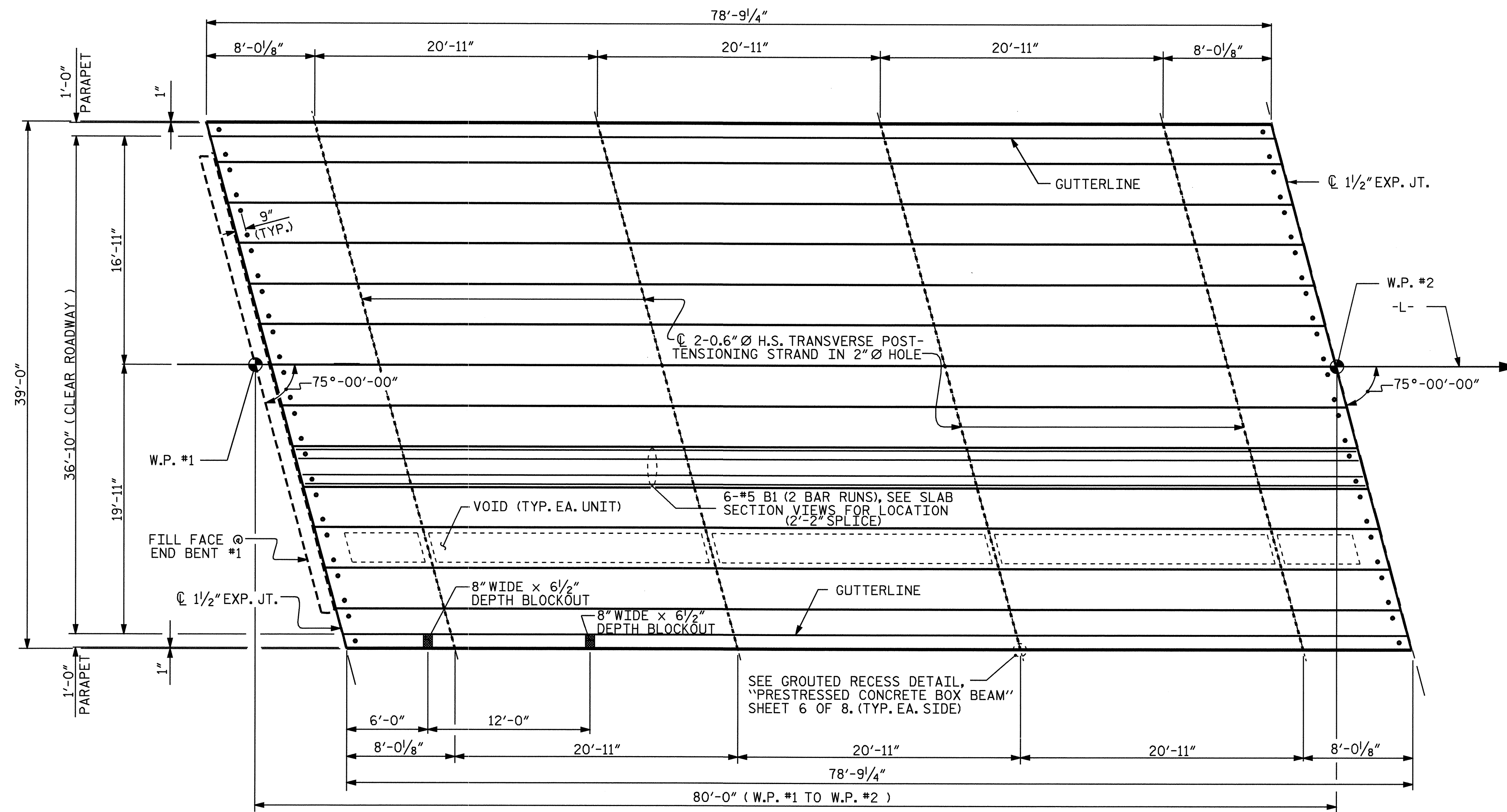
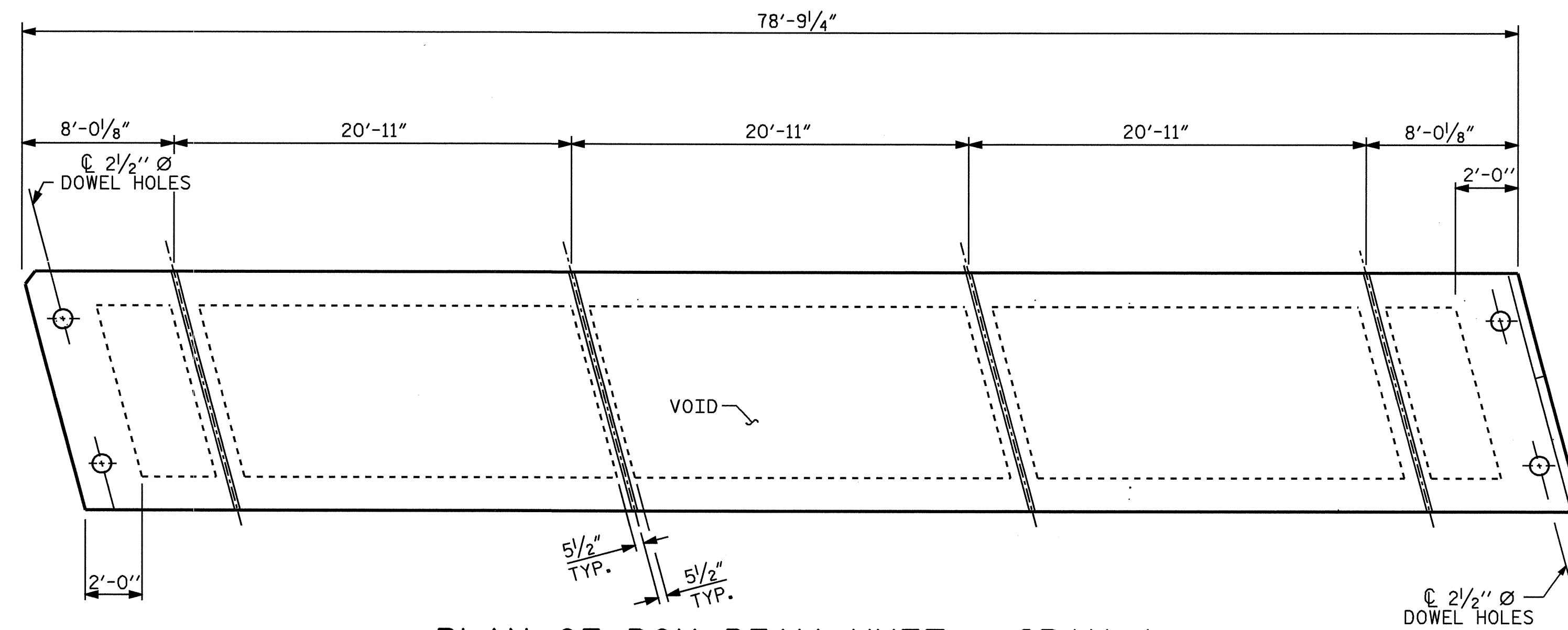


NOTES:
 REINFORCING STEEL FOR THE PARAPET IS DETAILED IN THE "CONCRETE PARAPET AND ENDPST DETAIL" SHEET.
 #5 S5 BARS IN BOX BEAM AND PARAPET ARE DETAILED IN PLAN OF BOX BEAM.
 #5 "B" BARS IN PARAPET SHALL BE FIELD CUT WHEN NECESSARY TO AVOID BLOCKOUTS.
 BLOCKOUT TO BE SHIFTED AS DIRECTED BY THE ENGINEER TO CENTER 8" WIDE BLOCKOUT BETWEEN S5 BARS.



PLAN OF SPAN - A



PLAN OF BOX BEAM UNIT - SPAN A

SHOWING LOCATION OF VOIDS & DIAPHRAGMS

DRAWN BY : J. G. KHARVA DATE : 09/22/05
 CHECKED BY : V. NGUYEN DATE : 01/12/06

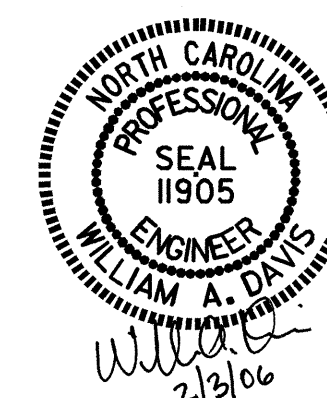
03-FEB-2006 12:14
 F:\STRUCT\B4039\FINALP\B4039.sd.BB.01.dgn
 rwwright

PROJECT NO. B-4039
 BURKE COUNTY
 STATION: 14+12.00 -L-

SHEET 3 OF 8

STATE OF NORTH CAROLINA
 DEPARTMENT OF TRANSPORTATION
 RALEIGH

SUPERSTRUCTURE
 PLAN OF SPAN
 (SPAN A)



REVISIONS						SHEET NO.
NO.	BY:	DATE:	NO.	BY:	DATE:	S-6
1			3			TOTAL SHEETS
2			4			26

NC005