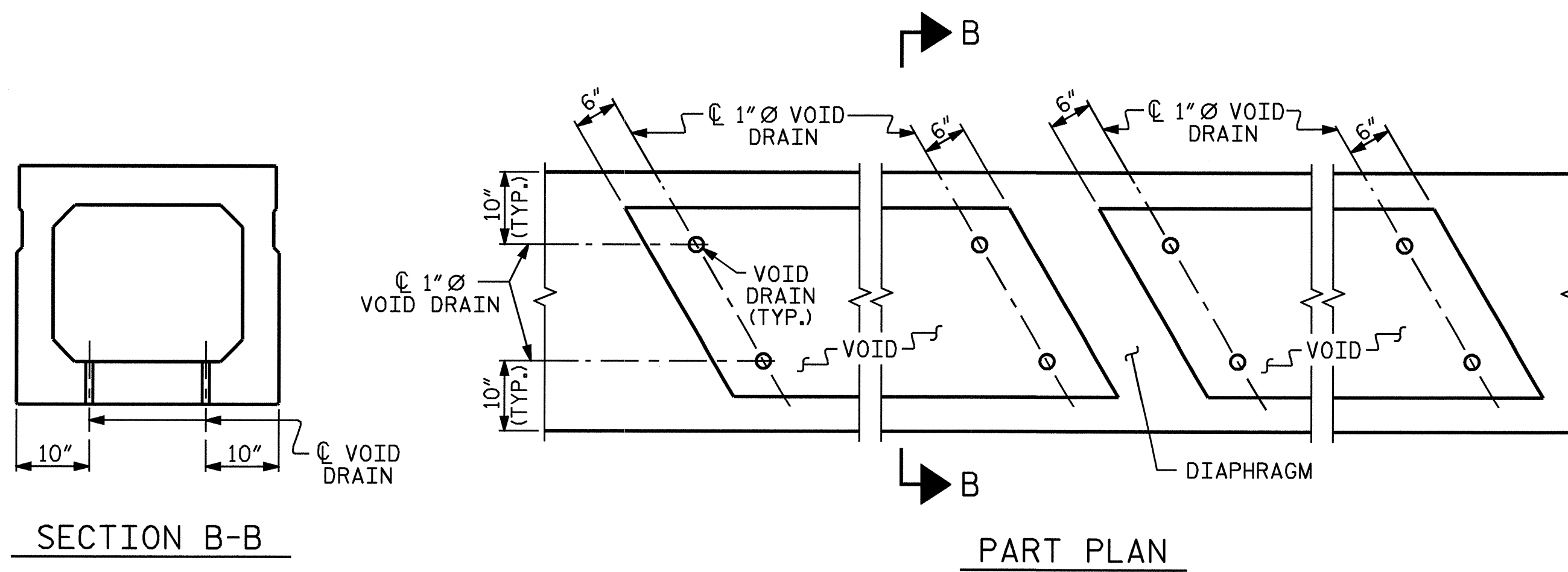


DOUBLE DIAPHRAGM DETAILS

#4 "S" BARS NOT SHOWN. #4 "S" BARS MAY BE SHIFTED SLIGHTLY TO CLEAR 2" Ø HOLE.

GROUTED RECESS DETAIL AT END OF POST-TENSIONED STRANDS OF EXTERIOR BOX BEAM



VOID DRAIN DETAILS

(DIMENSIONS SHOWN ARE TYPICAL FOR EACH VOID)

DEAD LOAD DEFLECTION AND CAMBER	
	3'-0" x 2'-9"
	0.6" Ø L.R. STRAND
	SPAN "A"
CAMBER (BEAM ALONE IN PLACE)	1 13/16" ↑
DEFLECTION DUE TO SUPERIMPOSED DEAD LOAD	3/8" ↓
FINAL CAMBER	1 1/16" ↑

PROJECT NO. B-4039
BURKE COUNTY
 STATION: 14+12.00 -L-

SHEET 6 OF 8



STATE OF NORTH CAROLINA
 DEPARTMENT OF TRANSPORTATION
 RALEIGH
 STANDARD
 3'-0" X 2'-9"
 PRESTRESSED CONCRETE
 BOX BEAM UNIT
 (SPAN A)

REVISIONS						SHEET NO.
NO.	BY:	DATE:	NO.	BY:	DATE:	S-9
1			3			TOTAL SHEETS
2			4			26

ASSEMBLED BY :	J. G. KHARVA	DATE :	11/22/05
CHECKED BY :	V. NGUYEN	DATE :	1/12/06
DRAWN BY :	TLA	5/05	ADDED 7/11/05
CHECKED BY :	GM	6/05	