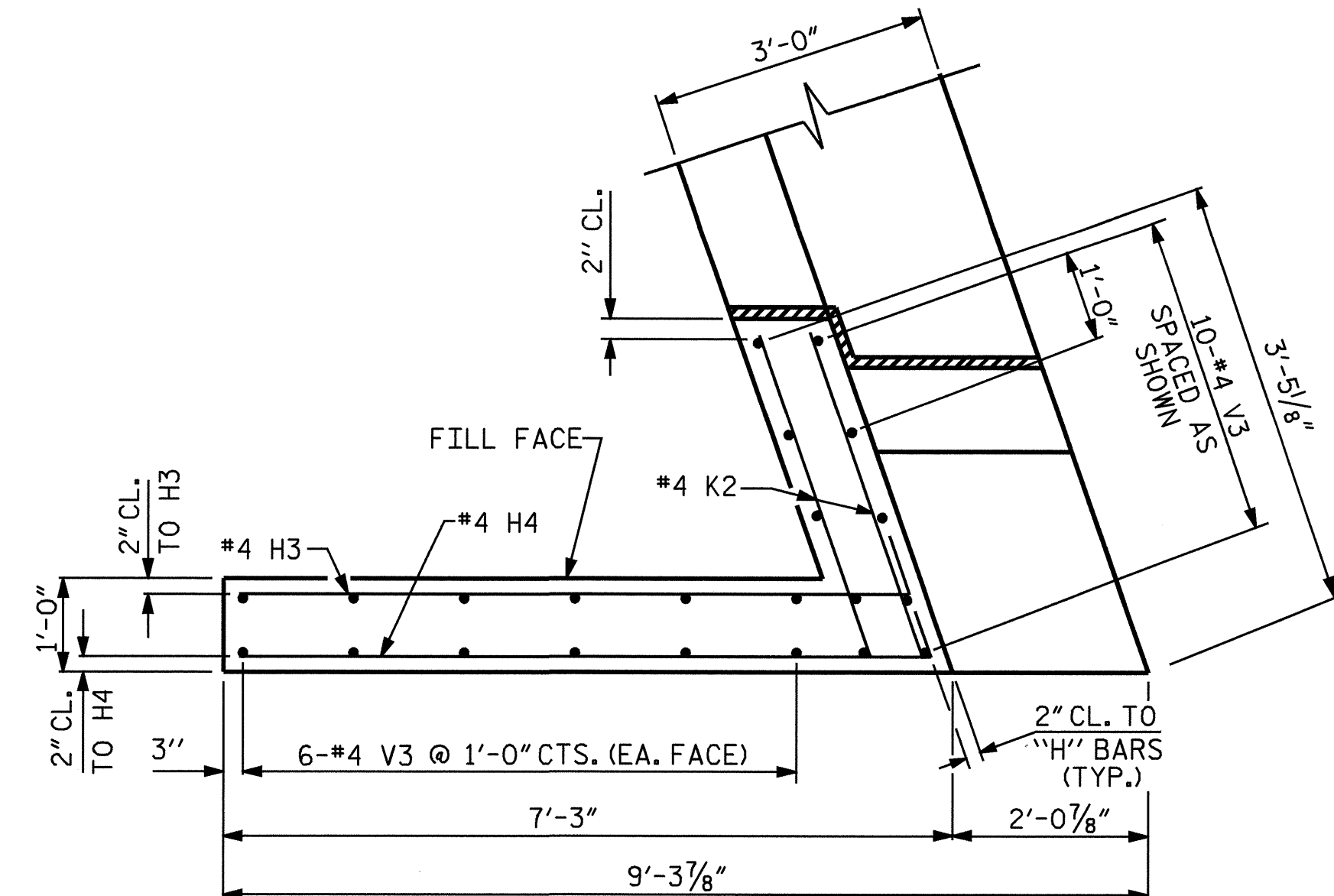
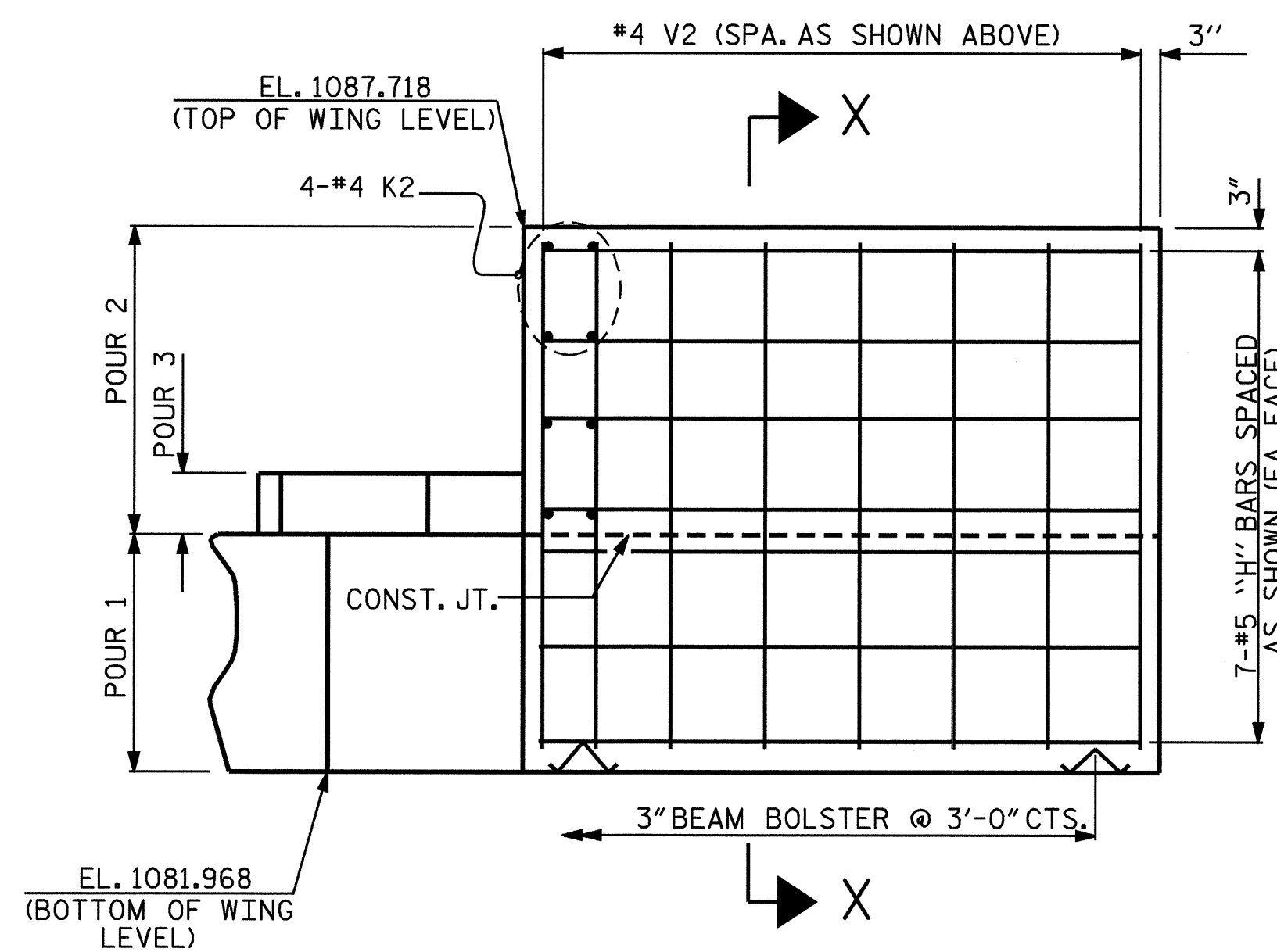


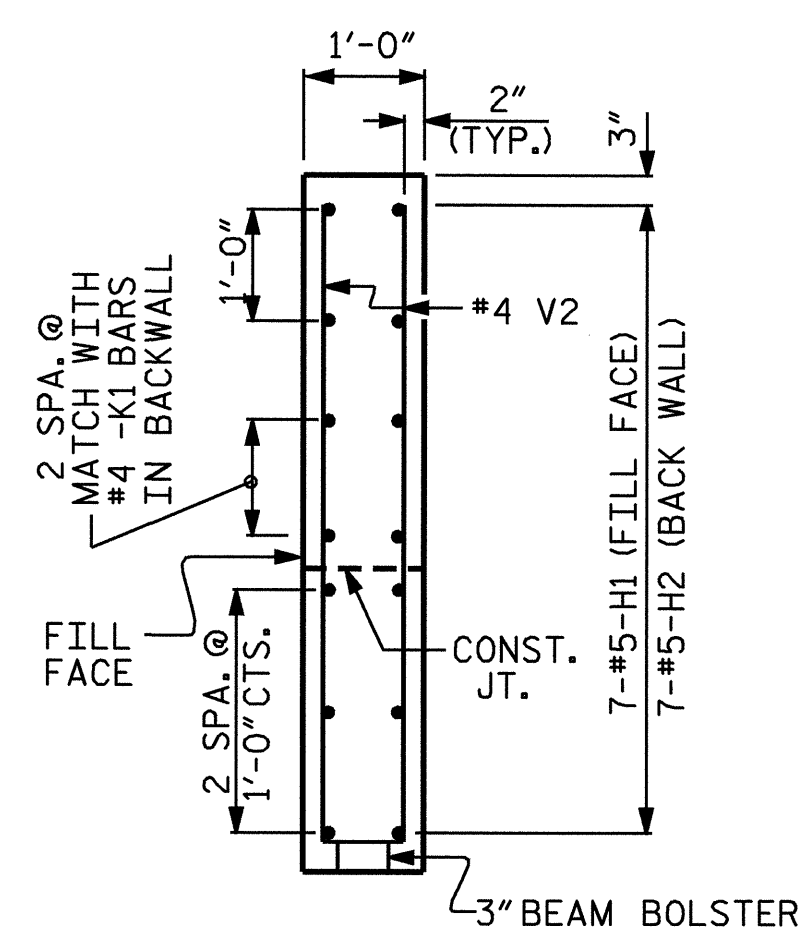
PLAN OF WING W1



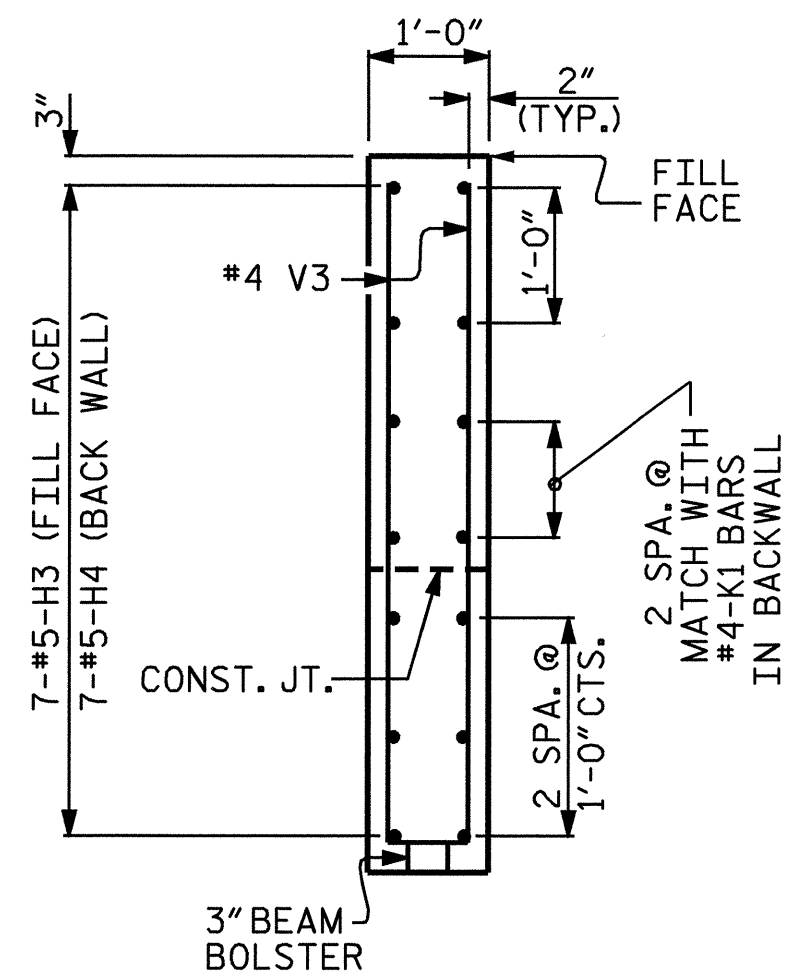
PLAN OF WING W2



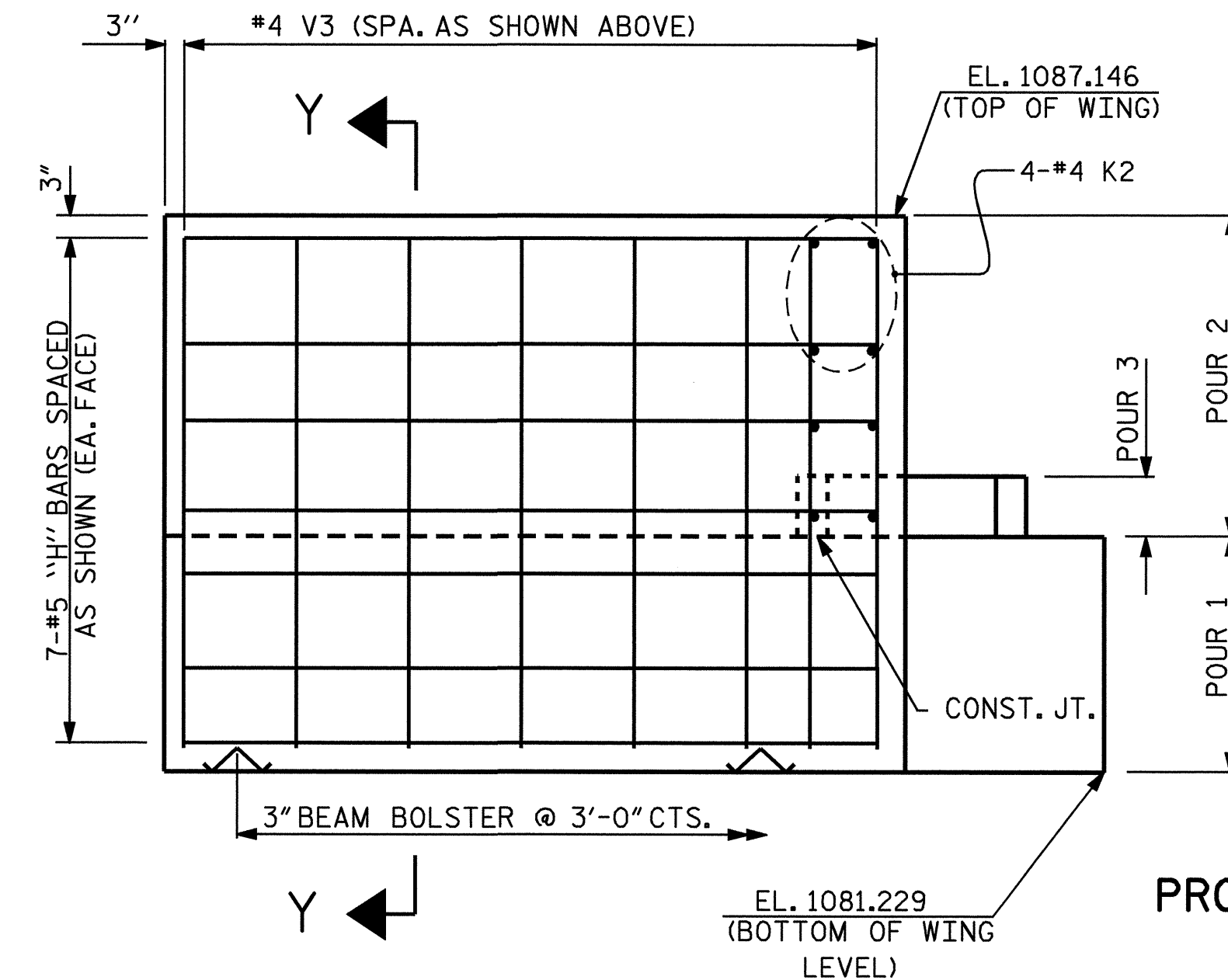
ELEVATION OF WING W1



SECTION X-X



SECTION Y-Y



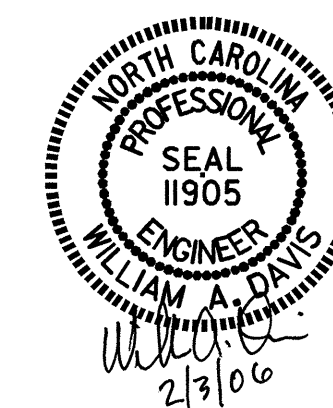
ELEVATION OF WING W2

PROJECT NO. B-4039
BURKE COUNTY
 STATION: 14+12.00 -L-

SHEET 2 OF 3

STATE OF NORTH CAROLINA
 DEPARTMENT OF TRANSPORTATION
 RALEIGH

SUBSTRUCTURE
 END BENT #1



DRAWN BY: G.O. COOPER DATE: 6/23/05
 CHECKED BY: J.G. KHARVA DATE: 12/29/05

03-FEB-2006 12:12
 F:\STRUCT\B4039\FINALP\B4039_sd.EB_01.dgn
 rwwright

REVISIONS						SHEET NO. S-17
NO.	BY:	DATE:	NO.	BY:	DATE:	
1			3			TOTAL SHEETS 26
2			4			