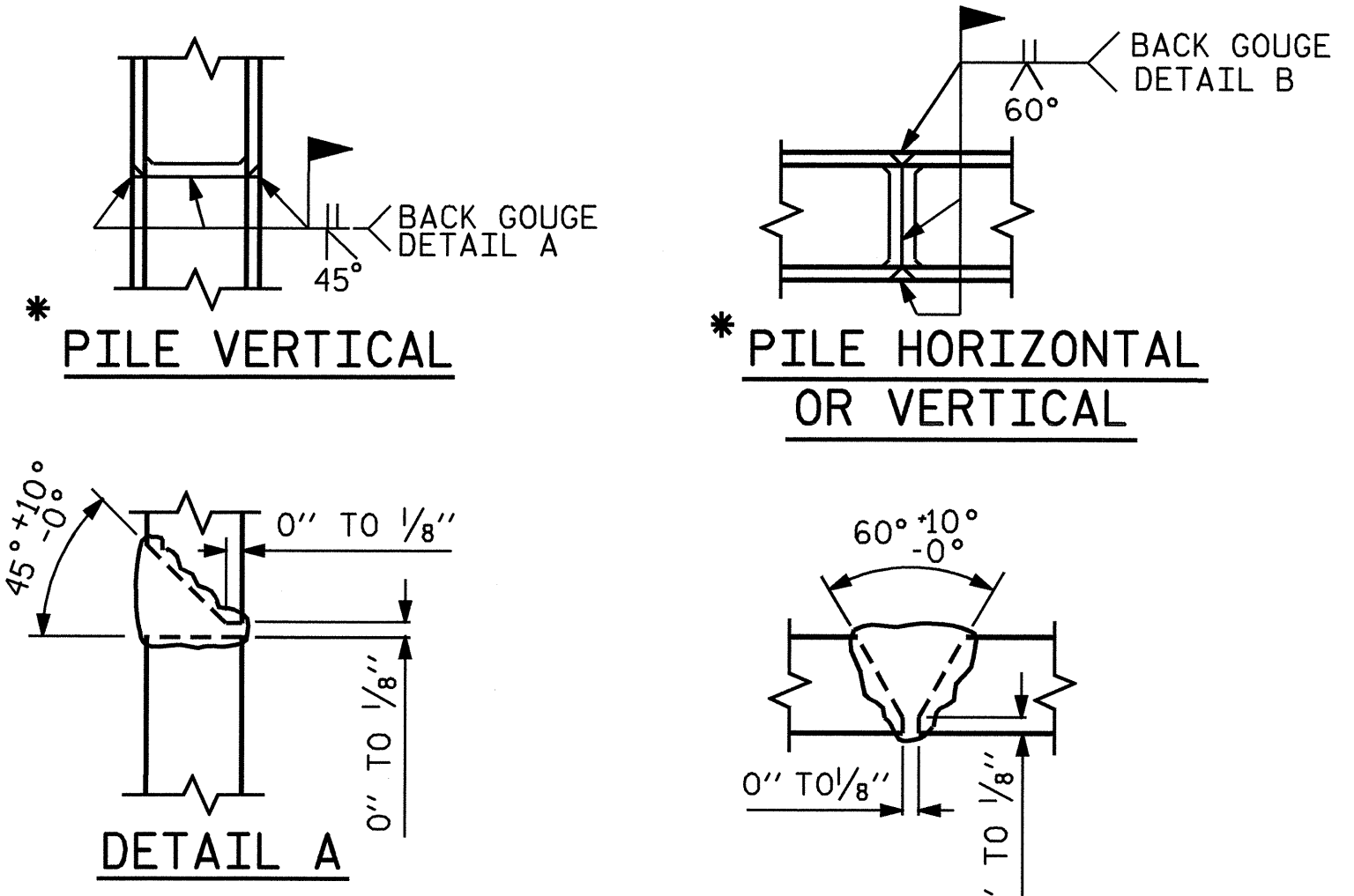
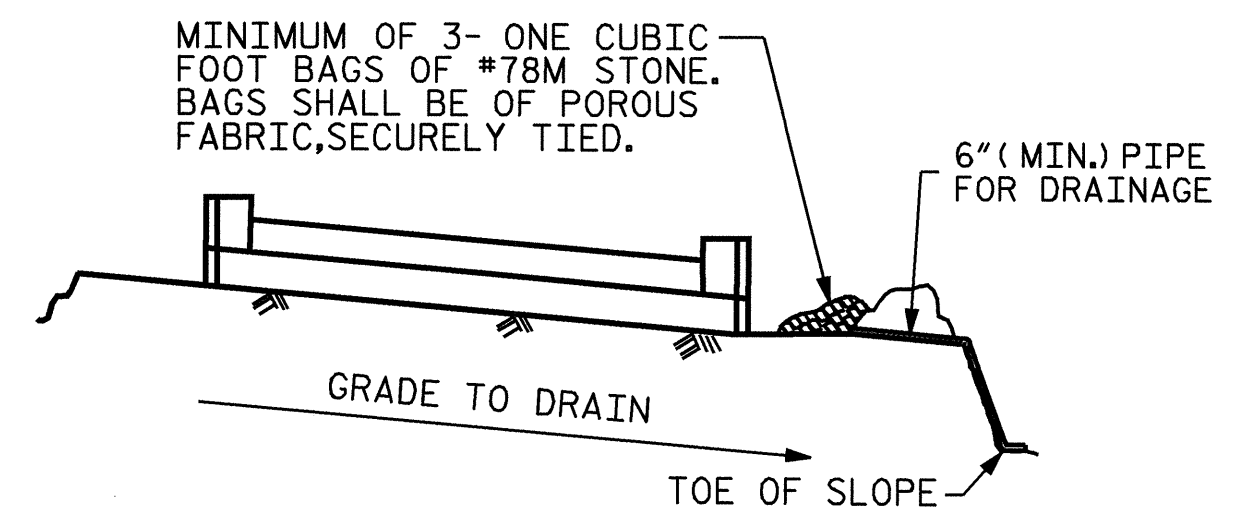


SECTION A-A



PILE SPLICE DETAILS



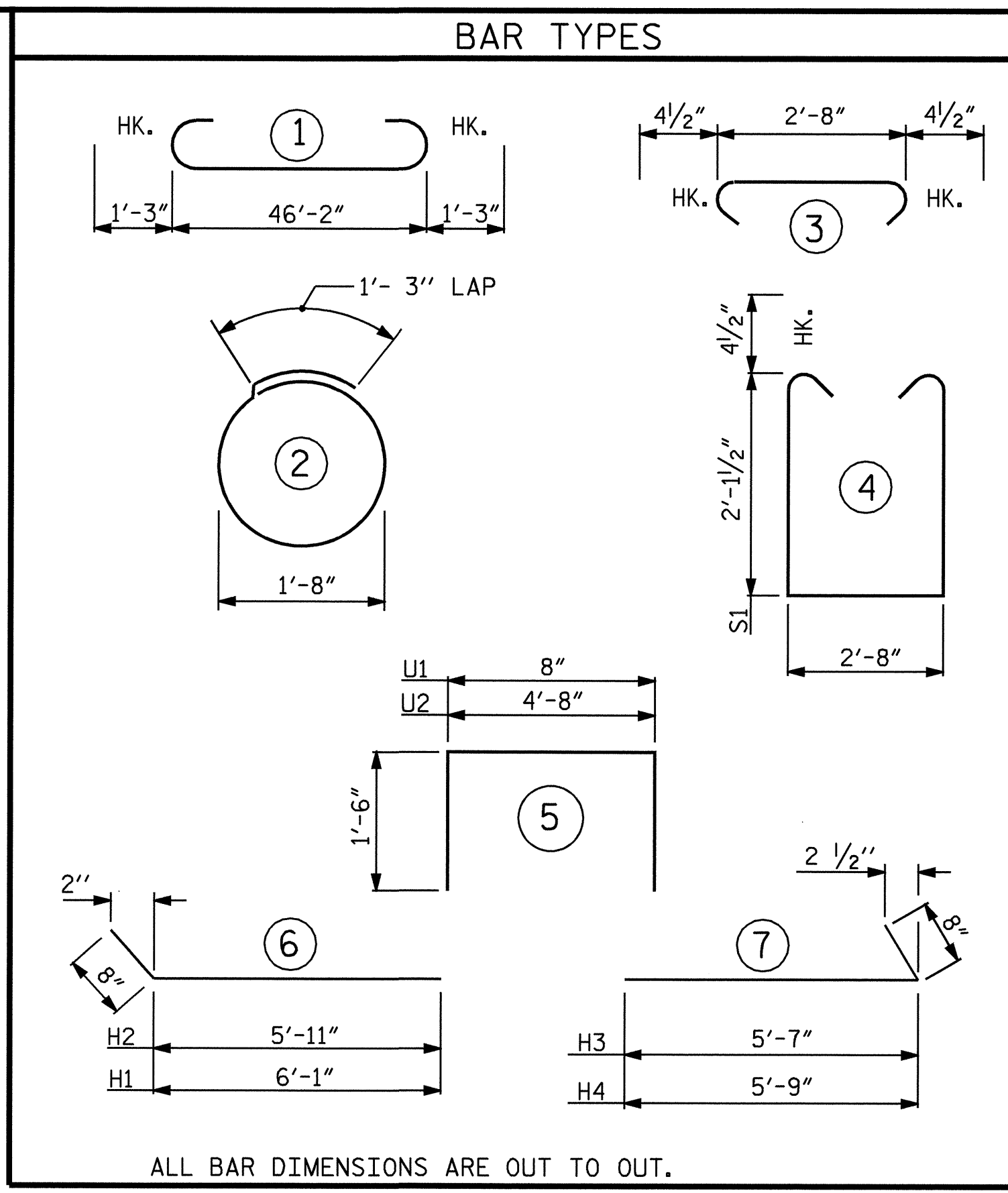
MINIMUM OF 3- ONE CUBIC FOOT BAGS OF #78M STONE. BAGS SHALL BE OF POROUS FABRIC, SECURELY TIED.

BAGGED STONE AND PIPE SHALL BE PLACED IMMEDIATELY AFTER COMPLETION OF END BENT EXCAVATION. PIPE MAY BE EITHER CONCRETE, CORRUGATED STEEL, CORRUGATED ALUMINUM ALLOY, OR CORRUGATED PLASTIC. PERFORATED PIPE WILL NOT BE ALLOWED.

BAGGED STONE SHALL REMAIN IN PLACE UNTIL THE ENGINEER DIRECTS THAT IT BE REMOVED. THE CONTRACTOR SHALL REMOVE AND DISPOSE OF SILT ACCUMULATIONS AT BAGGED STONE WHEN SO DIRECTED BY THE ENGINEER. BAGS SHALL BE REMOVED AND REPLACED WHENEVER THE ENGINEER DETERMINES THAT THEY HAVE DETERIORATED AND LOST THEIR EFFECTIVENESS.

NO SEPARATE PAYMENT WILL BE MADE FOR THIS WORK AND THE ENTIRE COST OF THIS WORK SHALL BE INCLUDED IN THE UNIT CONTRACT PRICE BID FOR THE SEVERAL PAY ITEMS.

TEMPORARY DRAINAGE AT END BENT



ALL BAR DIMENSIONS ARE OUT TO OUT.

SPLICE LENGTH CHART		
BAR	SIZE	SPLICE LENGTH
B2	#4	2'-5"

BILL OF MATERIAL					
END BENT #2					
BAR	NO.	SIZE	TYPE	LENGTH	WEIGHT
B1	8	#9	1	48'-8"	1324
B2	16	#4	STR	24'-5"	261
B3	11	#4	STR	2'-8"	20
D1	26	#8	STR	2'-3"	156
H1	7	#5	6	6'-9"	49
H2	7	#5	6	6'-7"	48
H3	7	#5	7	6'-3"	46
H4	7	#5	7	6'-5"	47
K1	8	#4	STR	24'-4"	130
K2	8	#4	STR	3'-0"	16
S1	44	#4	4	7'-8"	225
S2	44	#4	3	3'-5"	100
S3	14	#4	2	6'-6"	61
U1	40	#4	5	3'-8"	98
U2	4	#4	5	4'-8"	12
V1	80	#5	STR	3'-0"	250
V2	20	#4	STR	4'-10"	65
V3	20	#4	STR	5'-0"	67
REINFORCING STEEL					LBS. 2975
CLASS A CONC. BREAKDOWN					
POUR 1 CAP				C.Y.	13.9
POUR 2 WINGS & BACKWALL				C.Y.	3.3
POUR 3 LATERAL GUIDE				C.Y.	0.1
TOTAL					C.Y. 17.3
HP 12 X 53 STEEL PILES					
NO. 7				LIN. FT.	140
STEEL PILE POINTS					EACH 7



PROJECT NO. B-4039
BURKE COUNTY
STATION: 14+12.00 -L-

SHEET 3 OF 3

STATE OF NORTH CAROLINA DEPARTMENT OF TRANSPORTATION RALEIGH					
SUBSTRUCTURE END BENT #2					
REVISIONS					
NO.	BY:	DATE:	NO.	BY:	DATE:
1			3		
2			4		

SHEET NO. S-23
TOTAL SHEETS 26