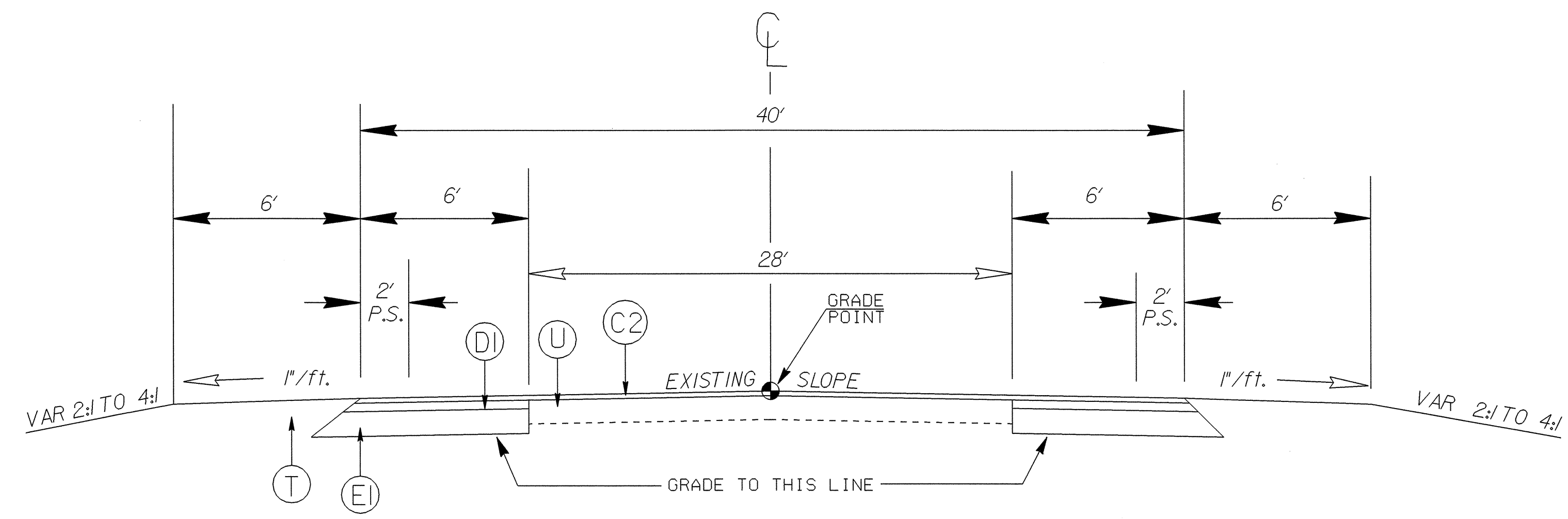


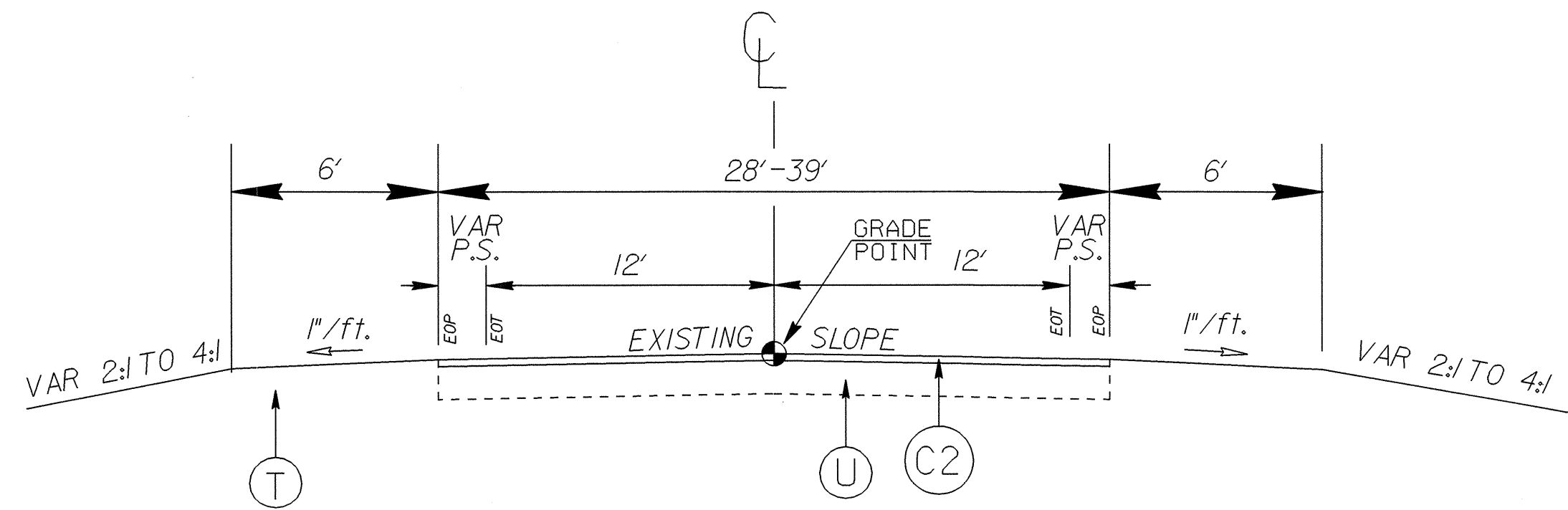
PAVEMENT SCHEDULE	
C1	PROP. APPROX. 1-1/2" ASPHALT CONCRETE SURFACE COURSE, TYPE S9.5B. AT AN AVERAGE RATE OF 168 LBS. PER SQ. YD.
C2	PROP. APPROX. 2 1/2" ASPHALT CONCRETE SURFACE COURSE, TYPE S9.5B. AT AN AVERAGE RATE OF 140 LBS. PER SQ. YD. IN EACH OF TWO LAYERS.
D1	PROP. APPROX. 3" ASPHALT CONCRETE INTERMEDIATE COURSE, TYPE I19.0B. AT AN AVERAGE RATE OF 342 LBS. PER SQ. YD.
D2	PROP. APPROX. 2 1/2" ASPHALT CONCRETE INTERMEDIATE COURSE, TYPE I19.0B. AT AN AVERAGE RATE OF 285 LBS. PER SQ. YD.
E1	PROP. APPROX. 5" ASPHALT CONCRETE BASE COURSE, TYPE B25.0B. AT AN AVERAGE RATE OF 570 LBS. PER SQ. YD.
E2	PROP. APPROX. 5 1/2" ASPHALT CONCRETE BASE COURSE, TYPE B25.0B. AT AN AVERAGE RATE OF 627 LBS. PER SQ. YD.
T	EARTH MATERIAL.
U	EXISTING PAVEMENT.

NOTE: PAVEMENT EDGE SLOPES ARE 1:1 UNLESS SHOWN OTHERWISE.



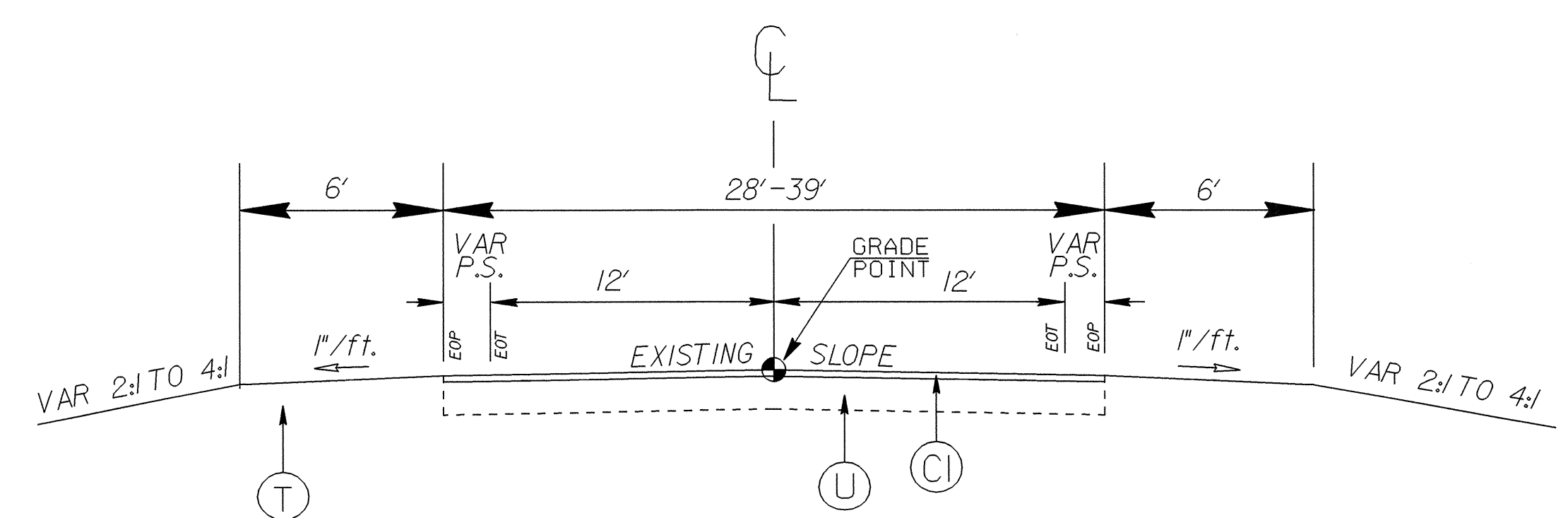
TYPICAL SECTION NO. 5

FROM STA. 12+70 +/- TO STA. 38+35 +/-
PAVEMENT MARKINGS SHALL BE PLACED TO REFLECT 12' LANES WITH 2' PAVED SHOULDER



TYPICAL SECTION NO. 6

FROM STA. 38+25 +/- -L- TO SR 2242
PAVEMENT MARKINGS SHALL BE PLACED TO REFLECT 12' LANES WITH A VARIABLE PAVED SHOULDER



TYPICAL SECTION NO. 7

FROM SR 2242 TO END OF PROJECT (NEAR I-95)
PAVEMENT MARKINGS SHALL BE PLACED TO REFLECT 12' LANES WITH A VARIABLE PAVED SHOULDER