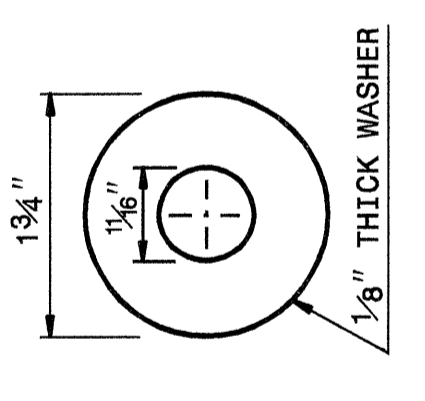
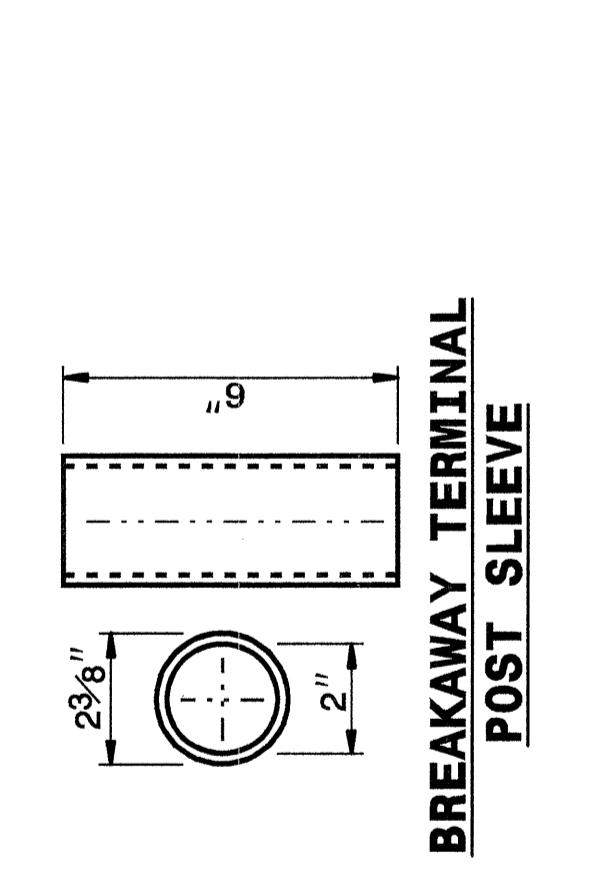


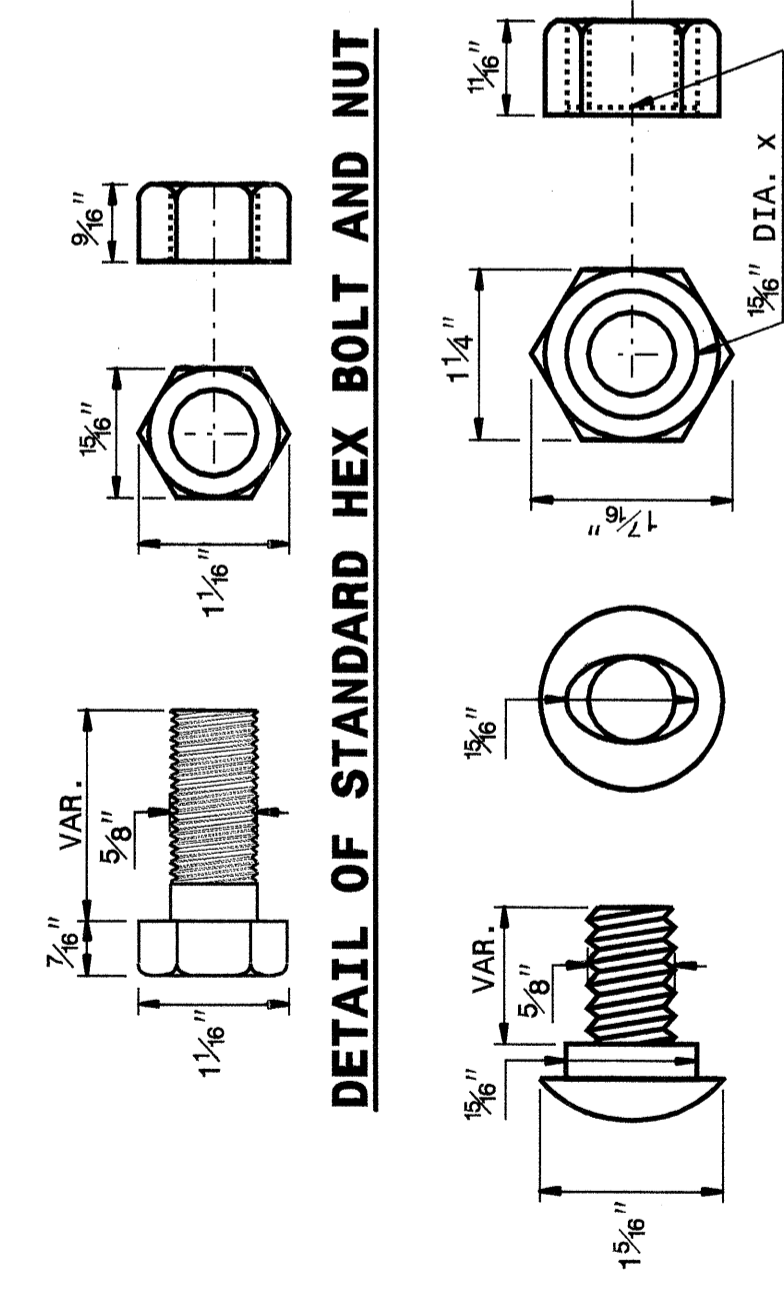
23-APR-2004 11:01 AM C:\p1\stds\enr\enr\d\stds\02\stds to Special Details\english\862d02\0862d02.dgn
 5/14/99

STATE OF
NORTH CAROLINA
DEPT. OF TRANSPORTATION
DIVISION OF HIGHWAYS
RALEIGH, N.C.

STATE OF
NORTH CAROLINA
DEPT. OF TRANSPORTATION
DIVISION OF HIGHWAYS
RALEIGH, N.C.



DETAIL OF STANDARD WASHER
STANDARD WASHER: TYPICAL USE UNDER NUT WITH WOOD POST

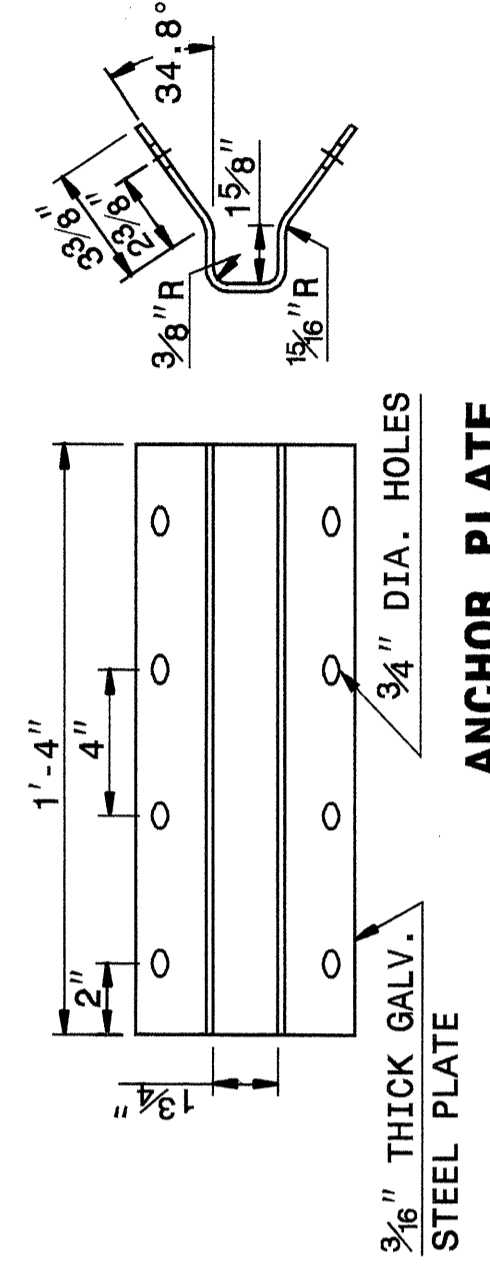
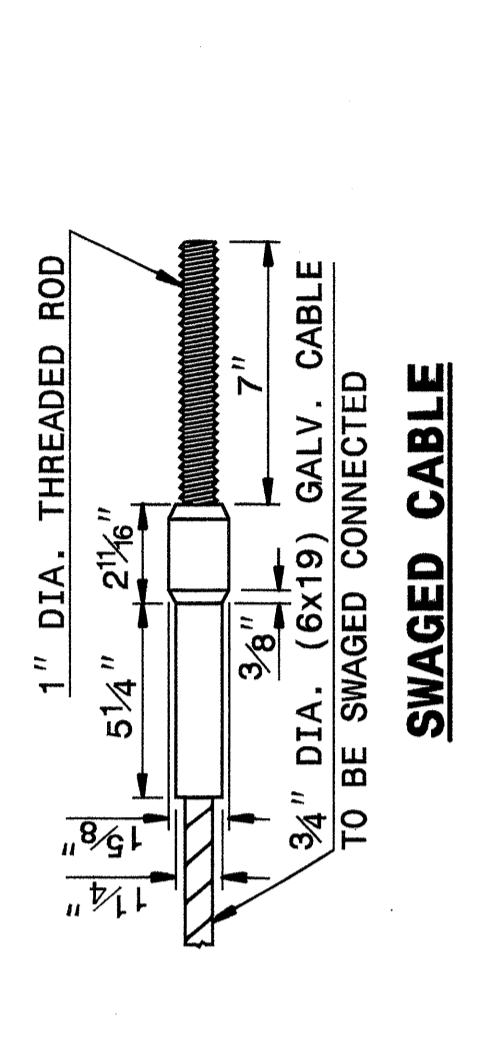
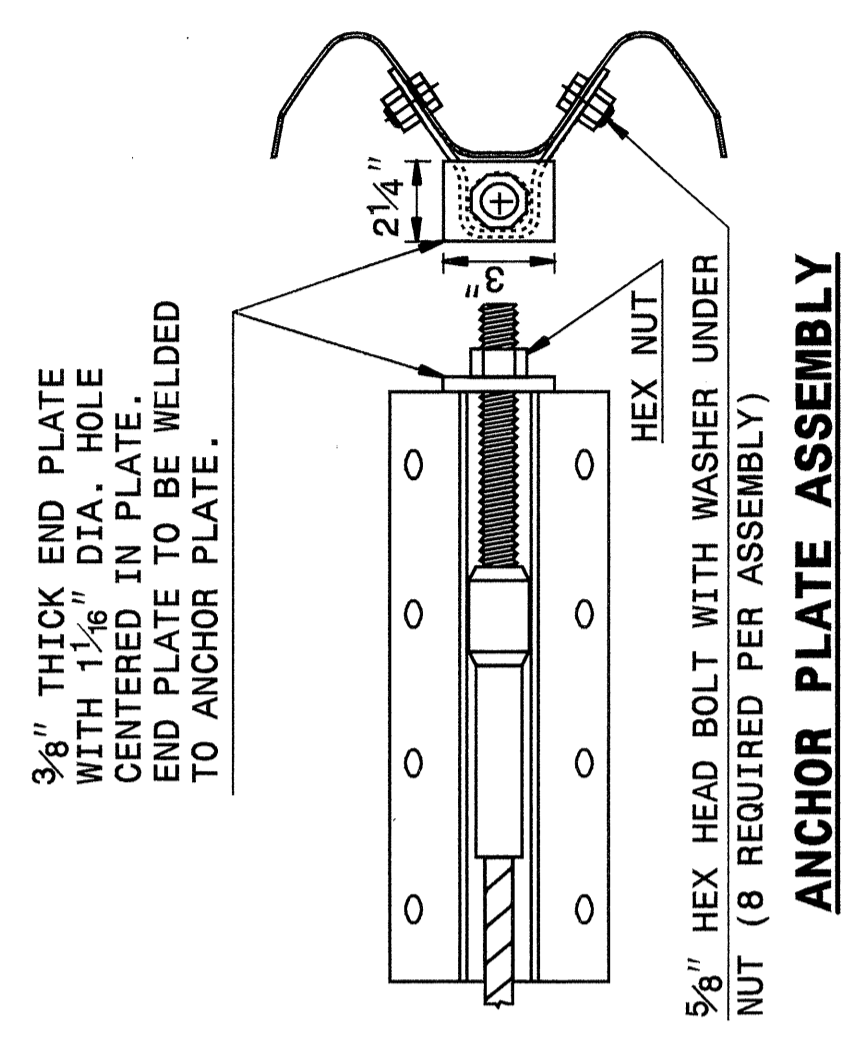


ENGLISH DETAIL DRAWING FOR
GUARDRAIL INSTALLATION

ENGLISH DETAIL DRAWING FOR
GUARDRAIL INSTALLATION

SHEET 5 OF 7
862D02

SHEET 5 OF 7
862D02

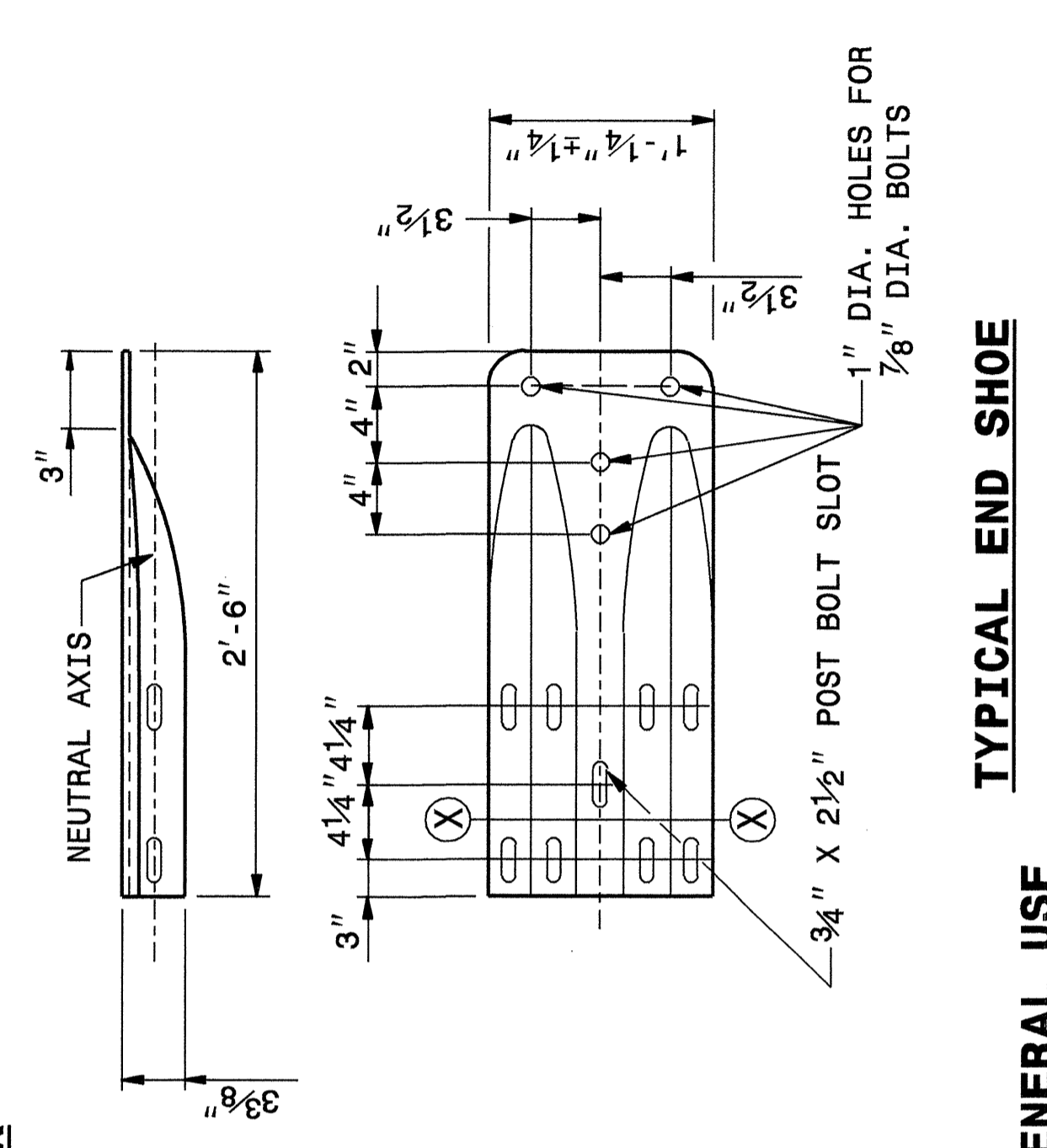
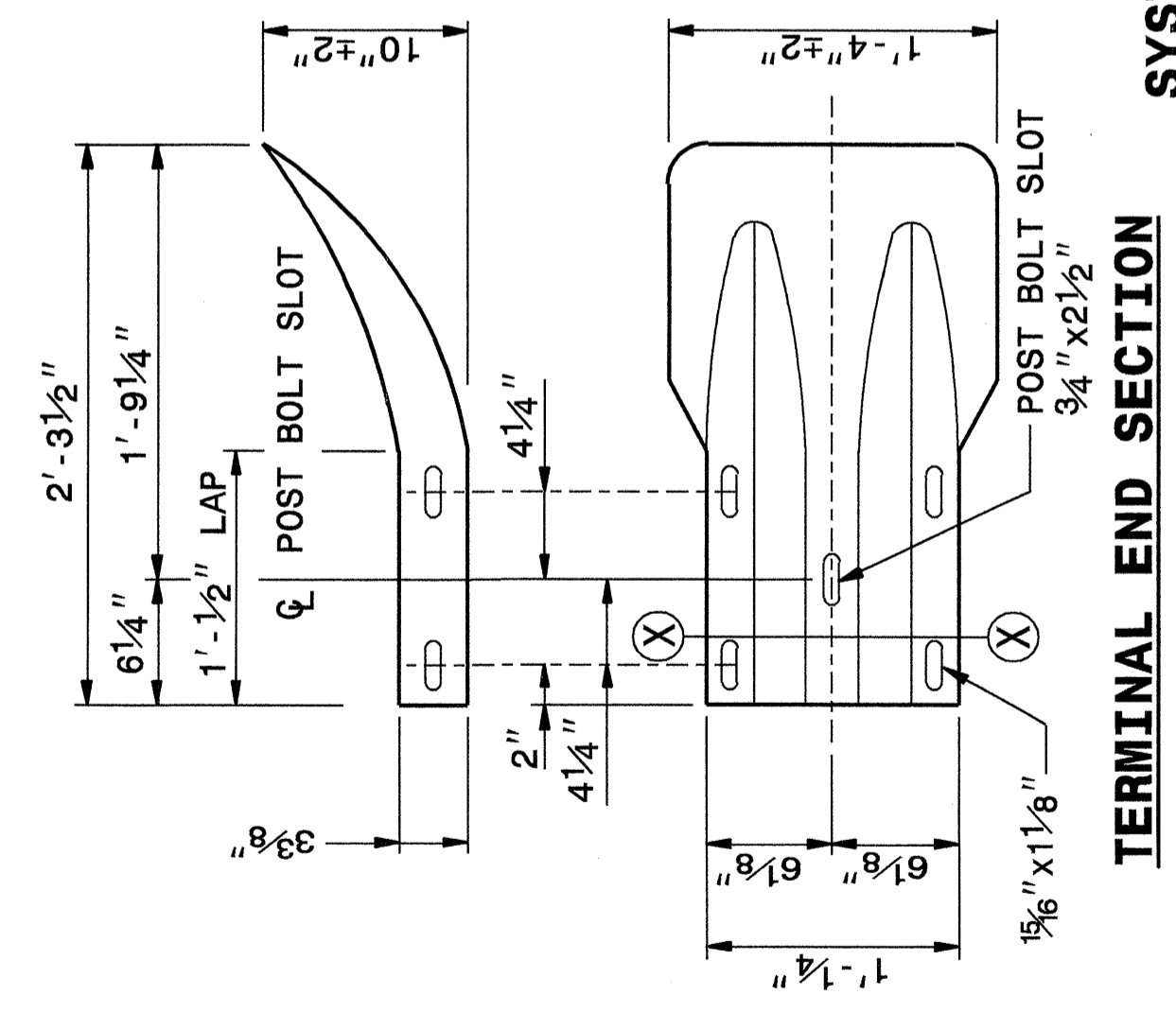
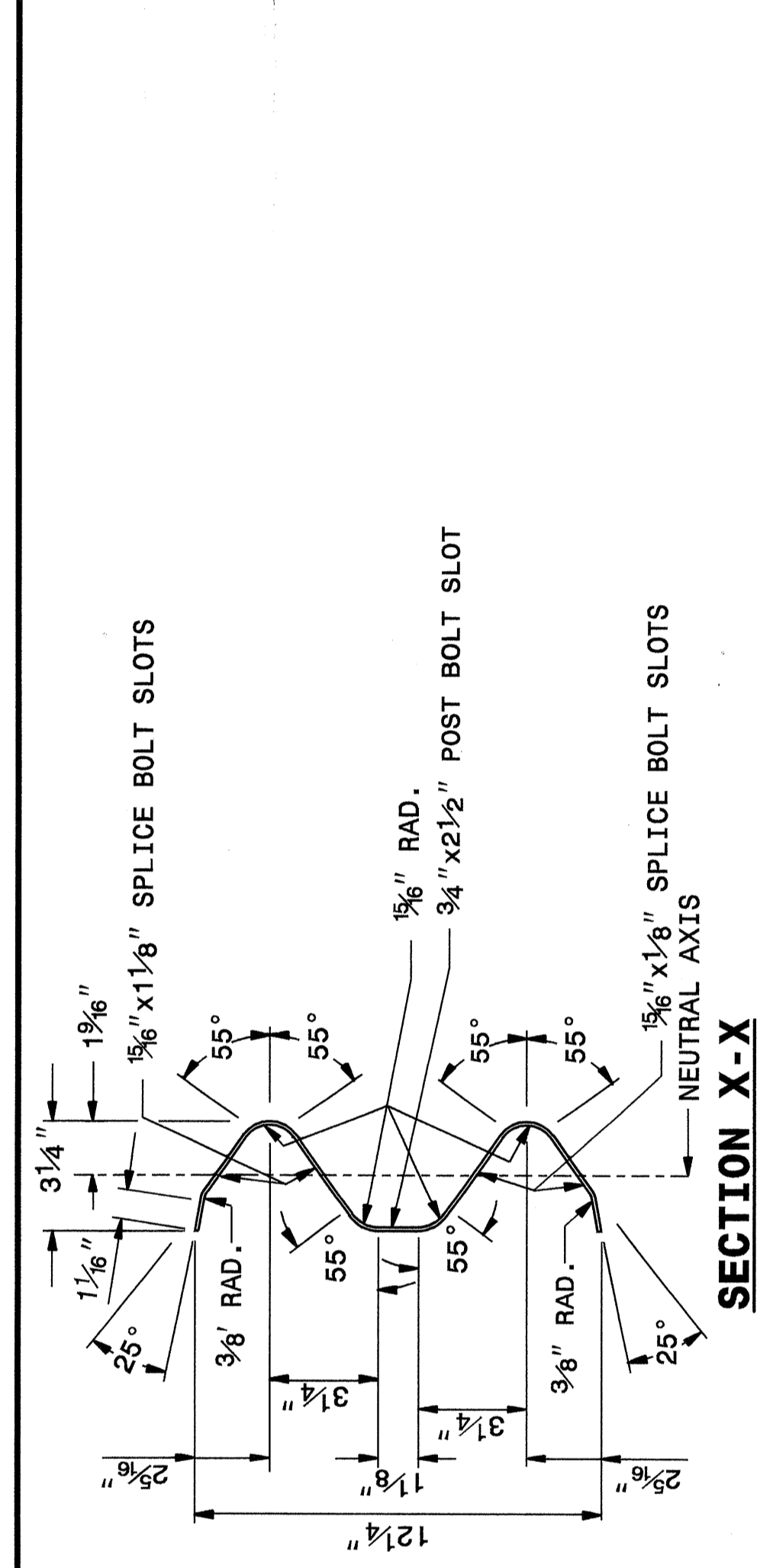


CABLE ASSEMBLY

SYSTEM PARTS

STATE OF
NORTH CAROLINA
DEPT. OF TRANSPORTATION
DIVISION OF HIGHWAYS
RALEIGH, N.C.

STATE OF
NORTH CAROLINA
DEPT. OF TRANSPORTATION
DIVISION OF HIGHWAYS
RALEIGH, N.C.



TERMINAL END SECTION

TYPICAL END SHOE

SYSTEM PARTS - GENERAL USE

SHEET 6 OF 7
862D02

SHEET 6 OF 7
862D02

ENGLISH DETAIL DRAWING FOR
GUARDRAIL INSTALLATION

ENGLISH DETAIL DRAWING FOR
GUARDRAIL INSTALLATION

DESIGN SERVICES UNIT
STANDARDS AND SPECIAL DESIGN
Office 919-250-4128 FAX 919-250-4119

SEE PLATE FOR TITLE

ORIGINAL BY: 2002 STD.862.02 DATE: _____
 MODIFIED BY: E.E. WARD DATE: 02-09-03
 CHECKED BY: *Joel S. Hunt* DATE: 4-29-04
 FILE SPEC.: /usr/stds/02todetail/english/862d02/862d02.dgn

