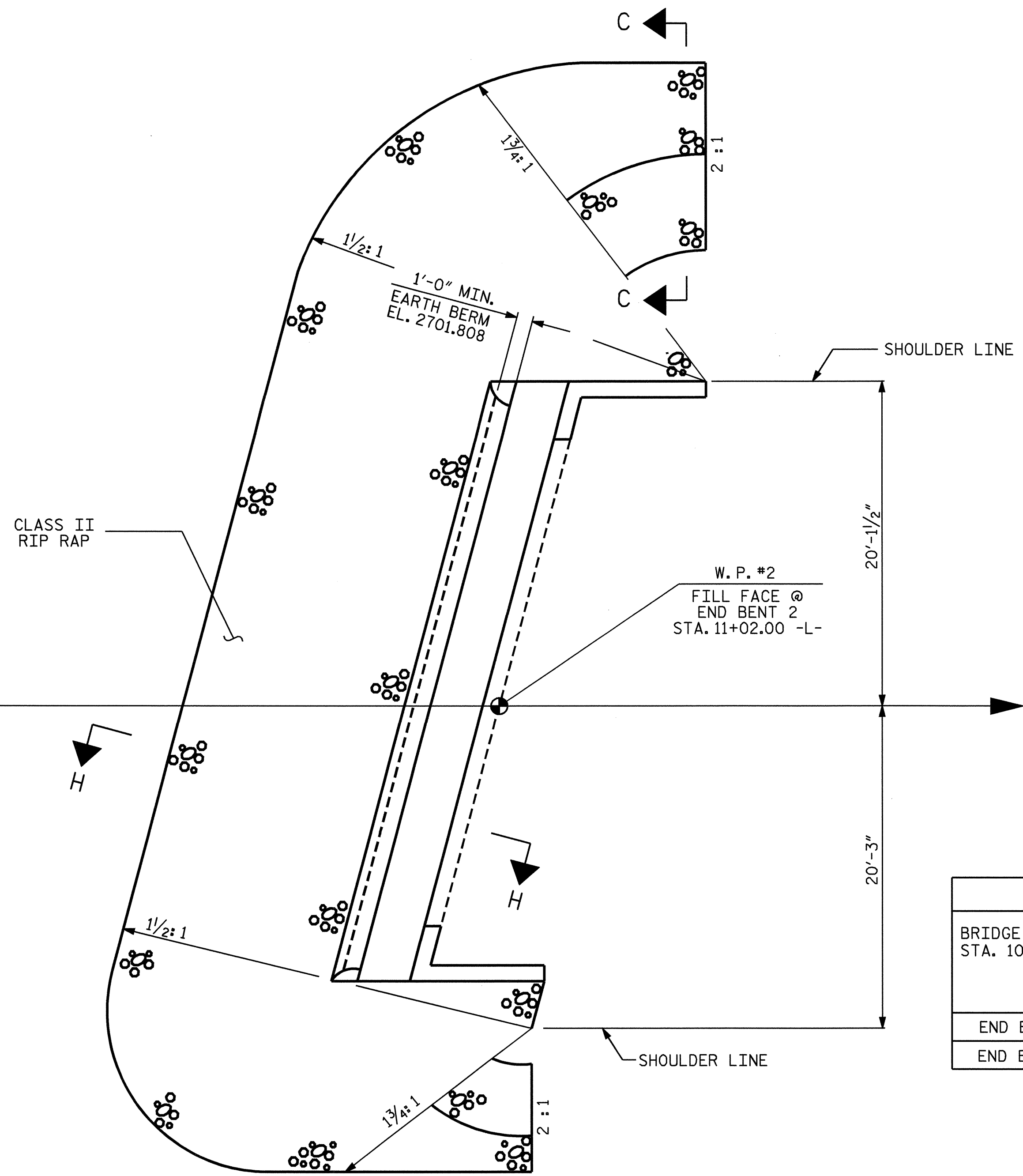


END BENT 1



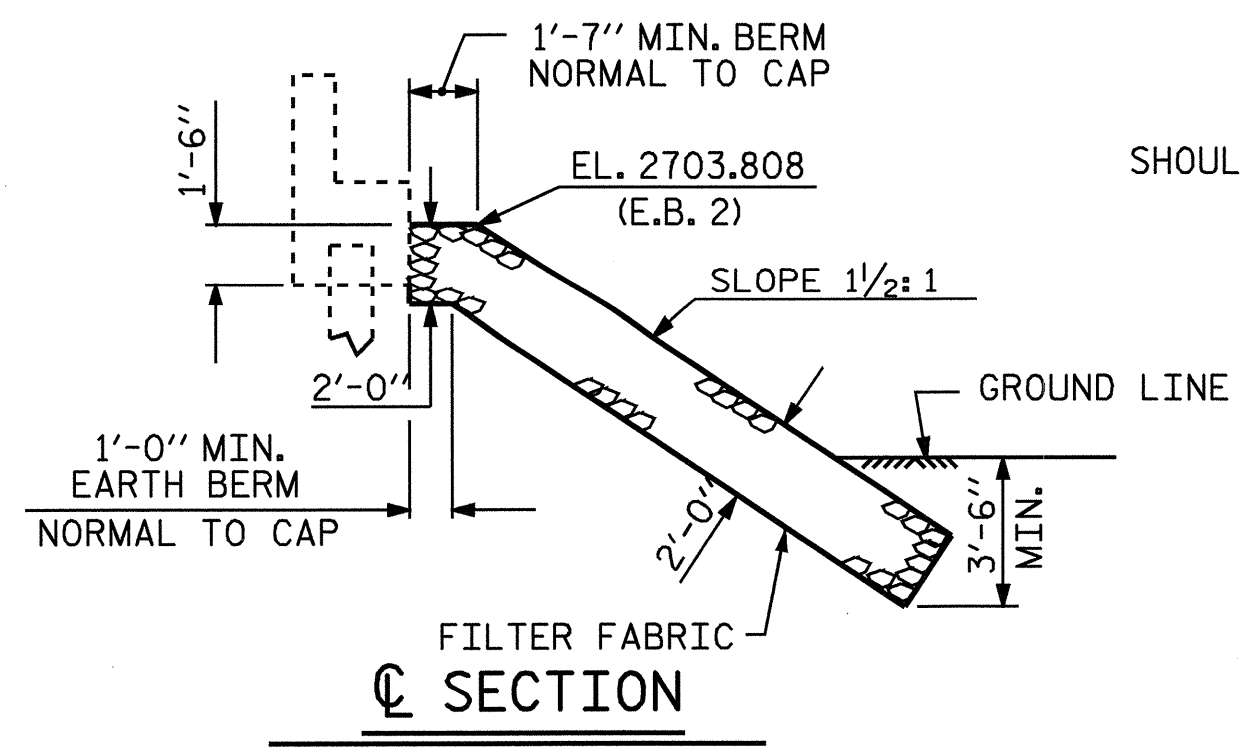
END BENT 2

PLAN OF RIP RAP

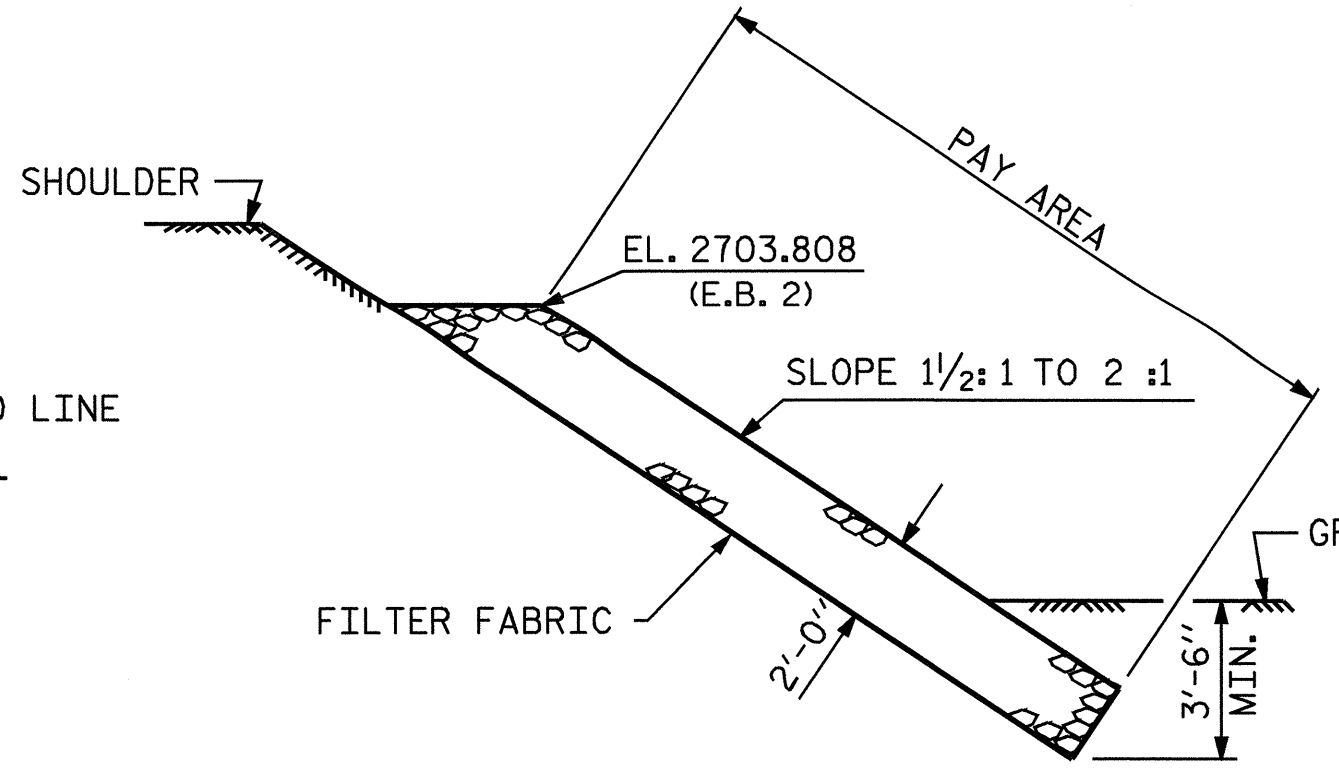
ESTIMATED QUANTITIES		
BRIDGE @ STA. 10+63.50 -L-	PLAIN RIP RAP CLASS II	FILTER FABRIC FOR DRAINAGE
	TONS	SQUARE YARDS
END BENT 1	20	22
END BENT 2	150	167



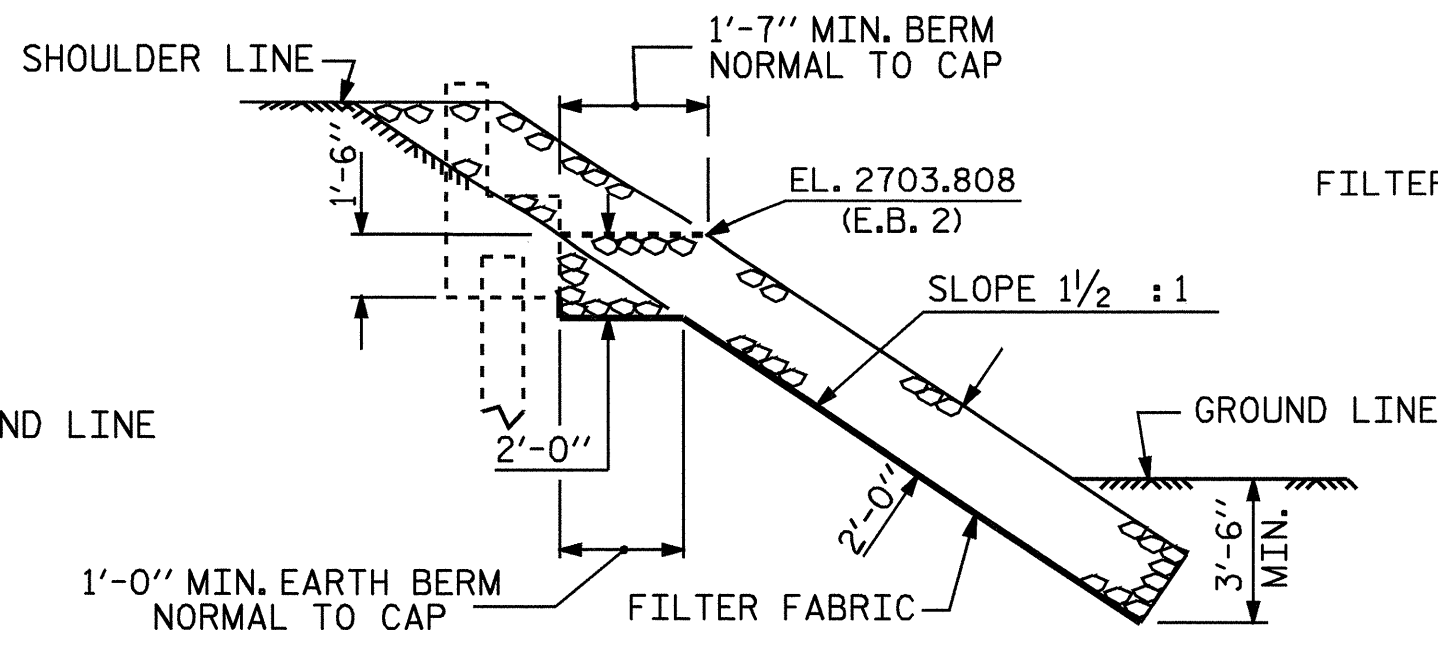
PROJECT NO. B-3805
ASHE COUNTY
 STATION: 10+63.50 -L-



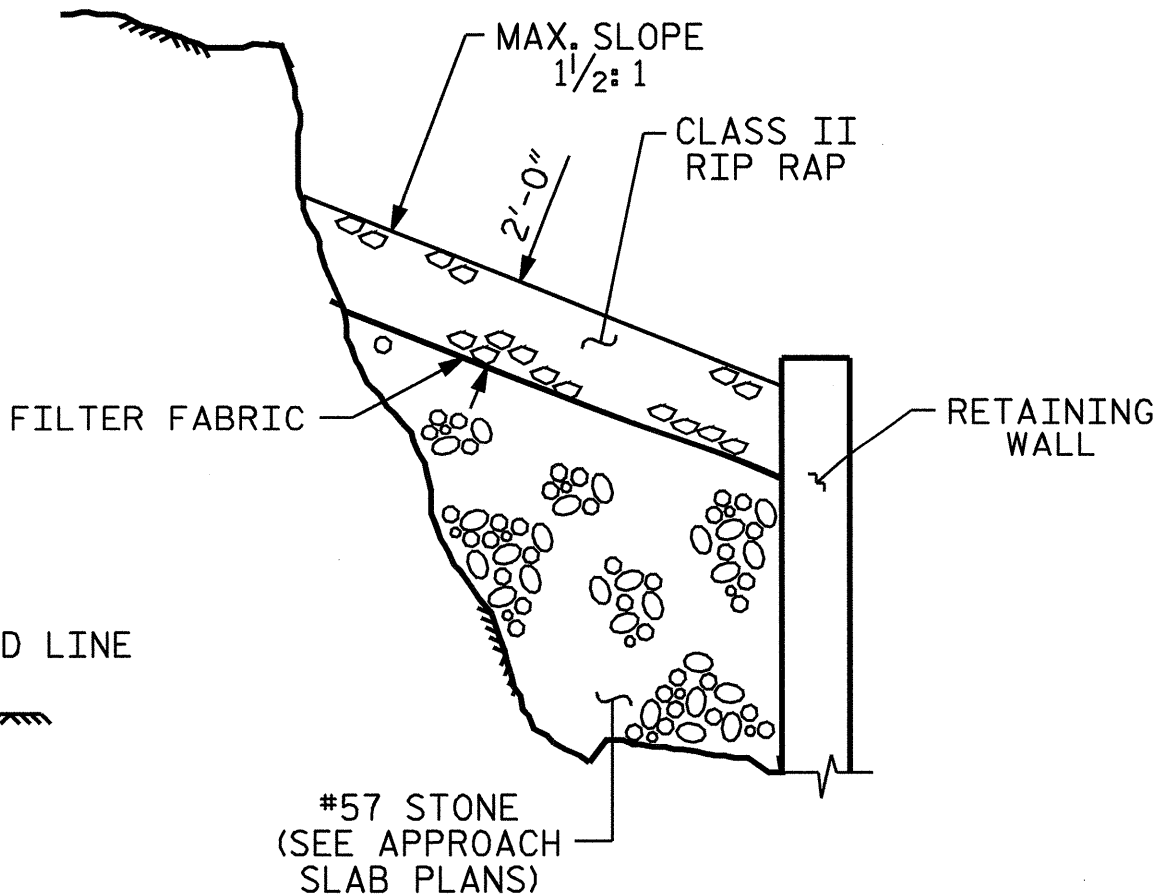
SECTION C-C
BERM RIP RAPPED



SECTION C-C
(END BENT 2)



SECTION H-H
(END BENT 2)



SECTION D-D
(END BENT 1)

STATE OF NORTH CAROLINA
 DEPARTMENT OF TRANSPORTATION
 RALEIGH

RIP RAP DETAILS

DRAWN BY: J.B. WILSON DATE: 9/27/05
 CHECKED BY: K.P. SEDAII DATE: 10/3/05

17-OCT-2005 08:37
 X:\Structures\JWilson\MforStation\B3805_sd.RR.dgn
 jbwilson

REVISIONS						SHEET NO. S-23
NO.	BY:	DATE:	NO.	BY:	DATE:	
1			3			TOTAL SHEETS
2			4			26