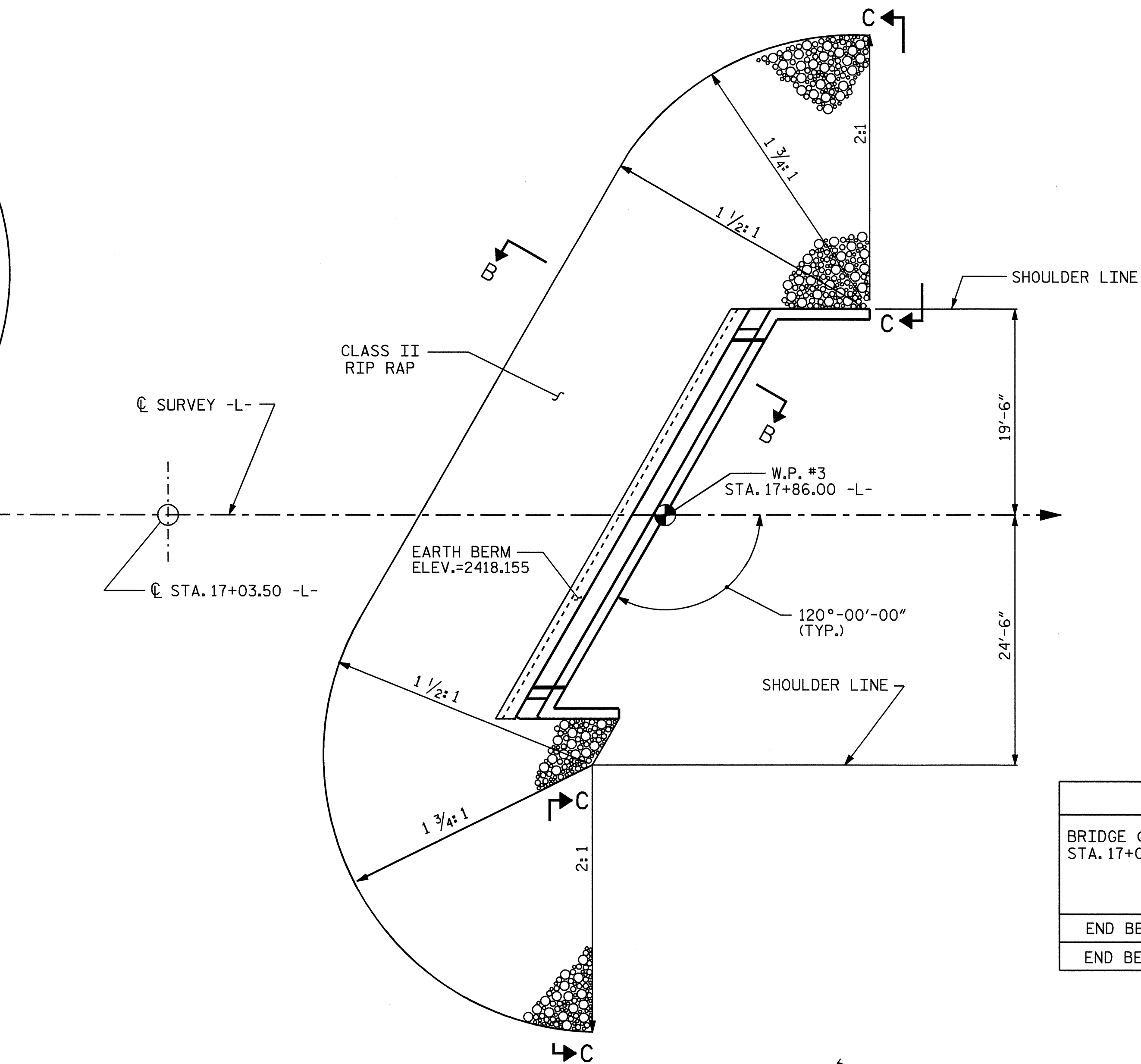


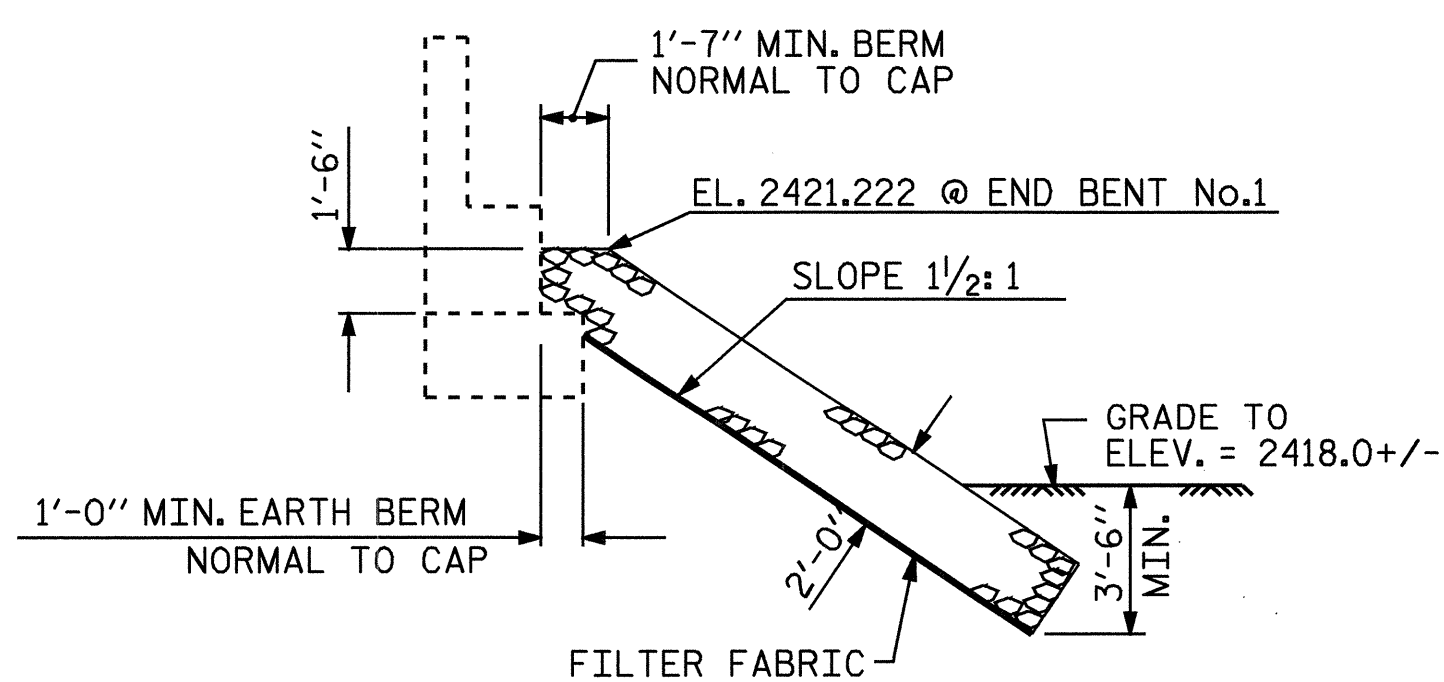
END BENT No. 1



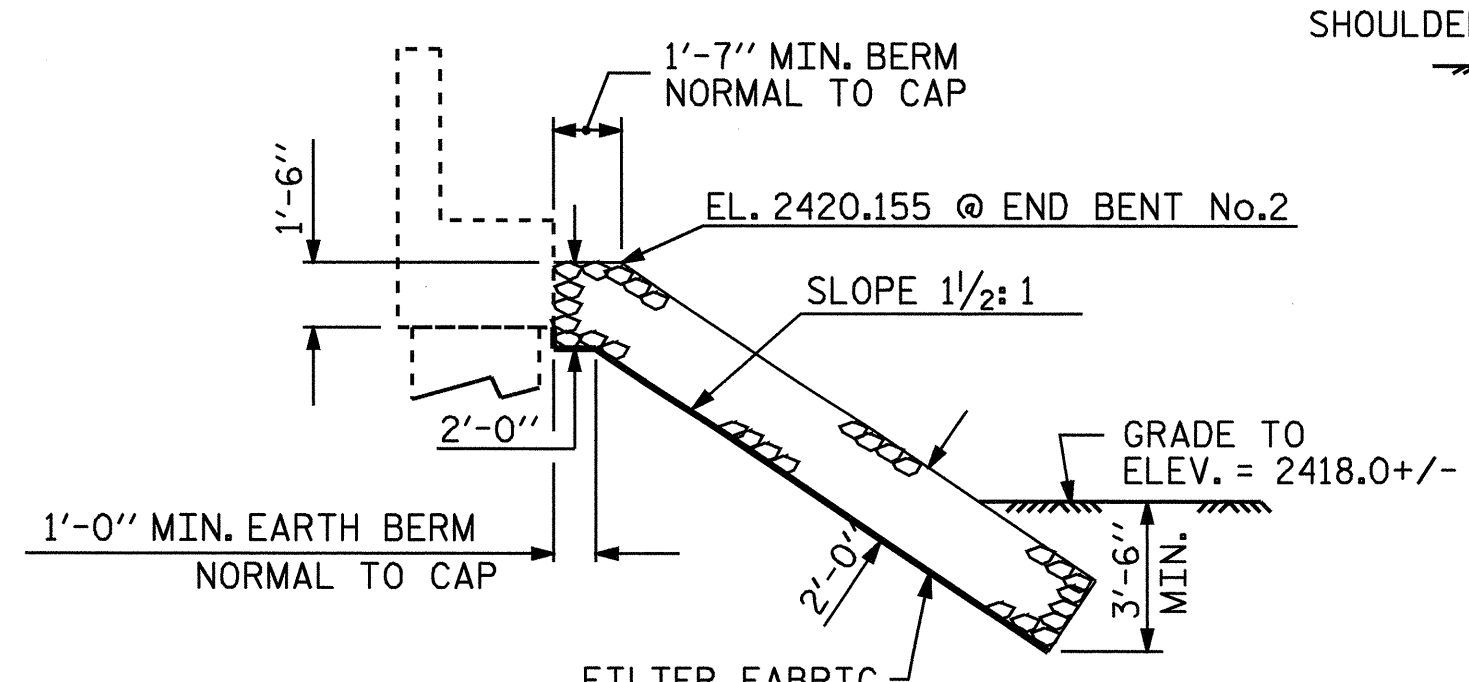
END BENT No. 2

PLAN OF RIP RAP

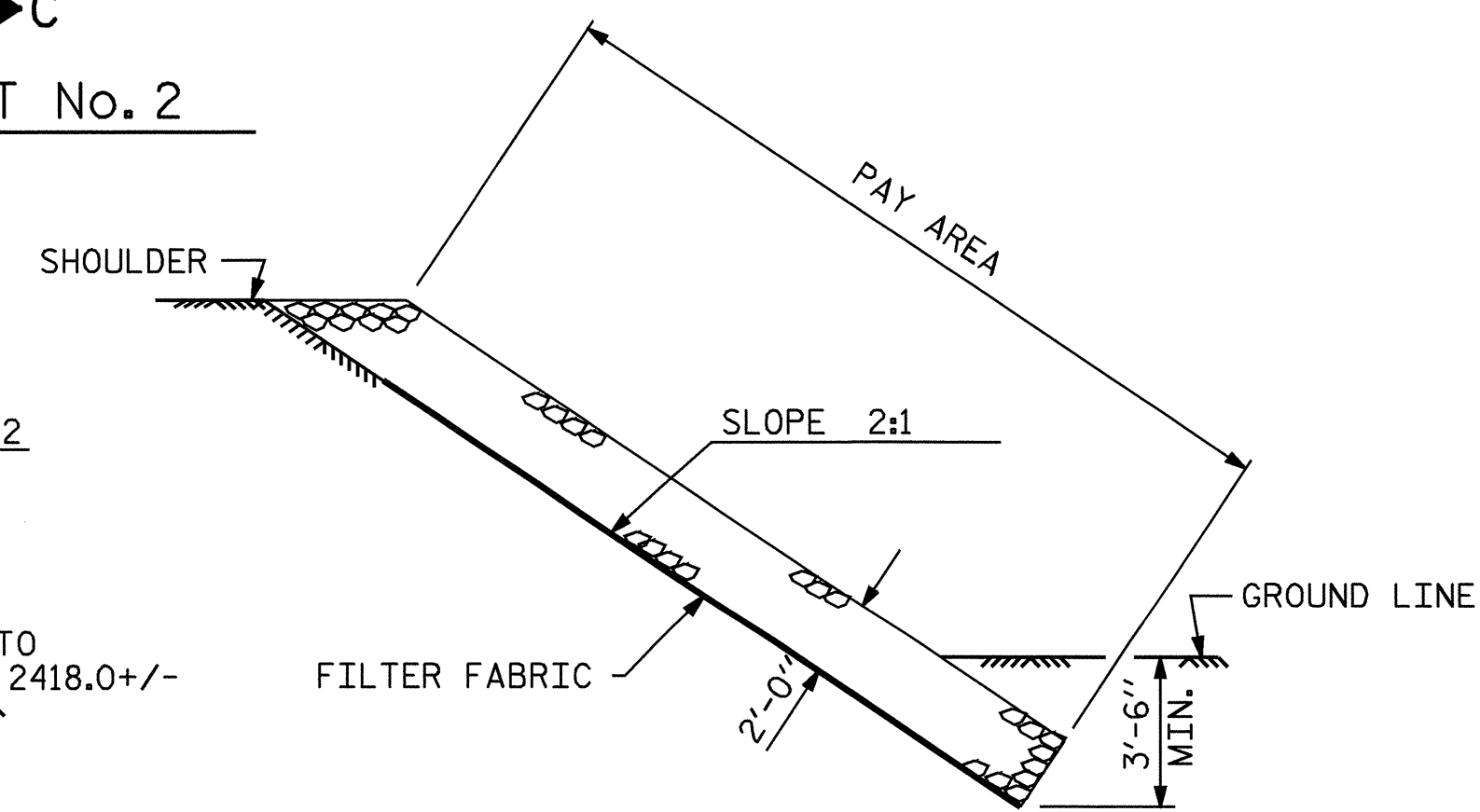
ESTIMATED QUANTITIES		
BRIDGE @ STA. 17+03.50 -L-	PLAIN RIP RAP CLASS II	FILTER FABRIC FOR DRAINAGE
	TONS	SQUARE YARDS
END BENT 1	65	72
END BENT 2	80	89



SECTION A-A



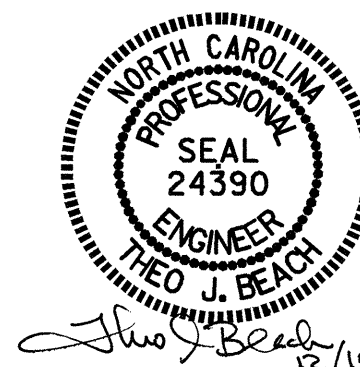
SECTION B-B



SECTION C-C

PROJECT NO. B-4007  
ALLEGHANY COUNTY  
 STATION: 17+03.50 -L-

STATE OF NORTH CAROLINA DEPARTMENT OF TRANSPORTATION RALEIGH					
STANDARD = RIP RAP DETAILS =					
REVISIONS					
NO.	BY:	DATE:	NO.	BY:	DATE:
1			3		
2			4		
					SHEET NO. S-19
					TOTAL SHEETS 23



ASSEMBLED BY : P.E. LACKEY DATE : 7/05  
 CHECKED BY : T. BEACH DATE : 10/05  
 DRAWN BY : REK 1/84 REV. 7/17/98 REK/RWW  
 CHECKED BY : RDU 1/84 REV. 8/16/99 RWW/LES  
 REV. 10/17/00 RWW/LES