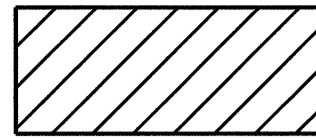


8/17/99

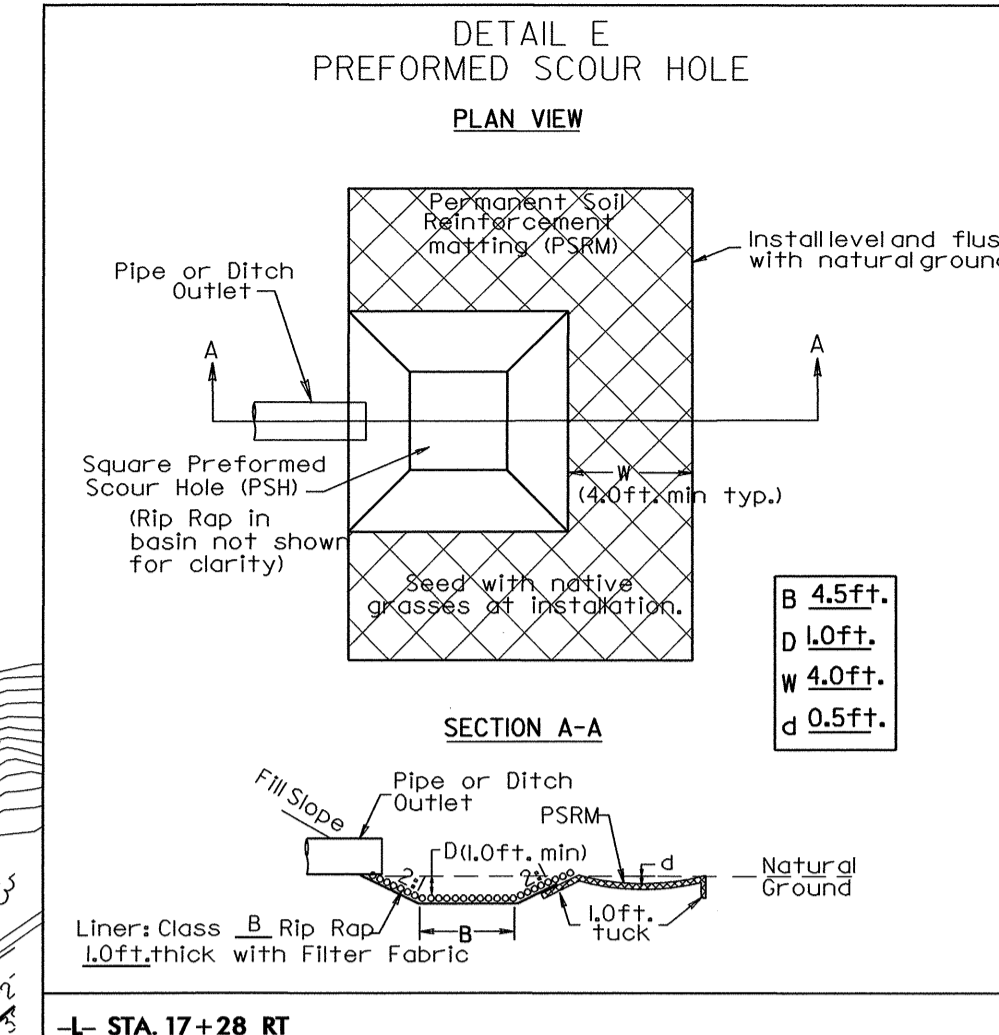
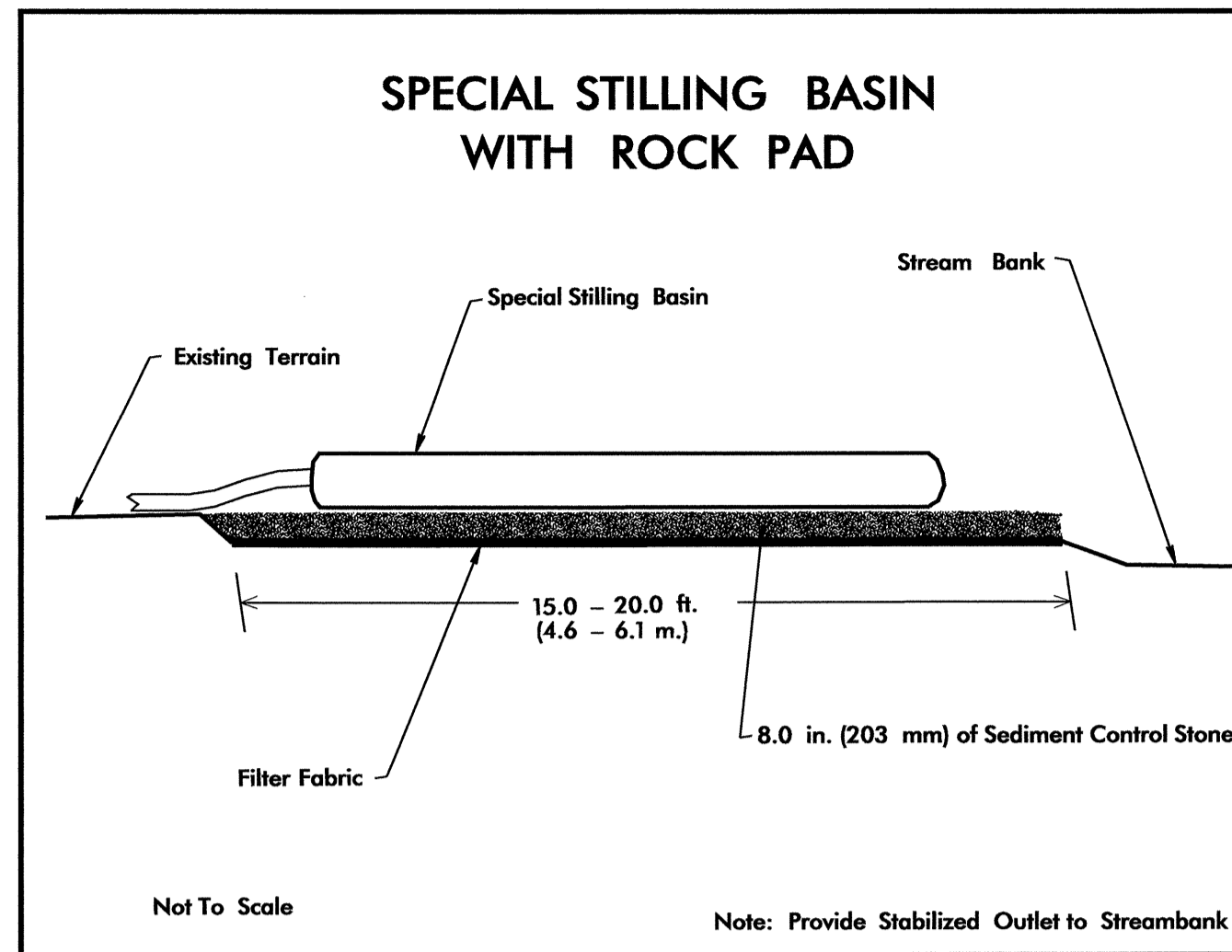
NOTE: PLACE TEMPORARY ROCK SEDIMENT DAMS TYPE - B AND TEMPORARY ROCK SILT CHECKS TYPE - A AT DRAINAGE OUTLETS.

CLEARING AND GRUBBING EROSION CONTROL FOR CONSTRUCTION SHEET 4



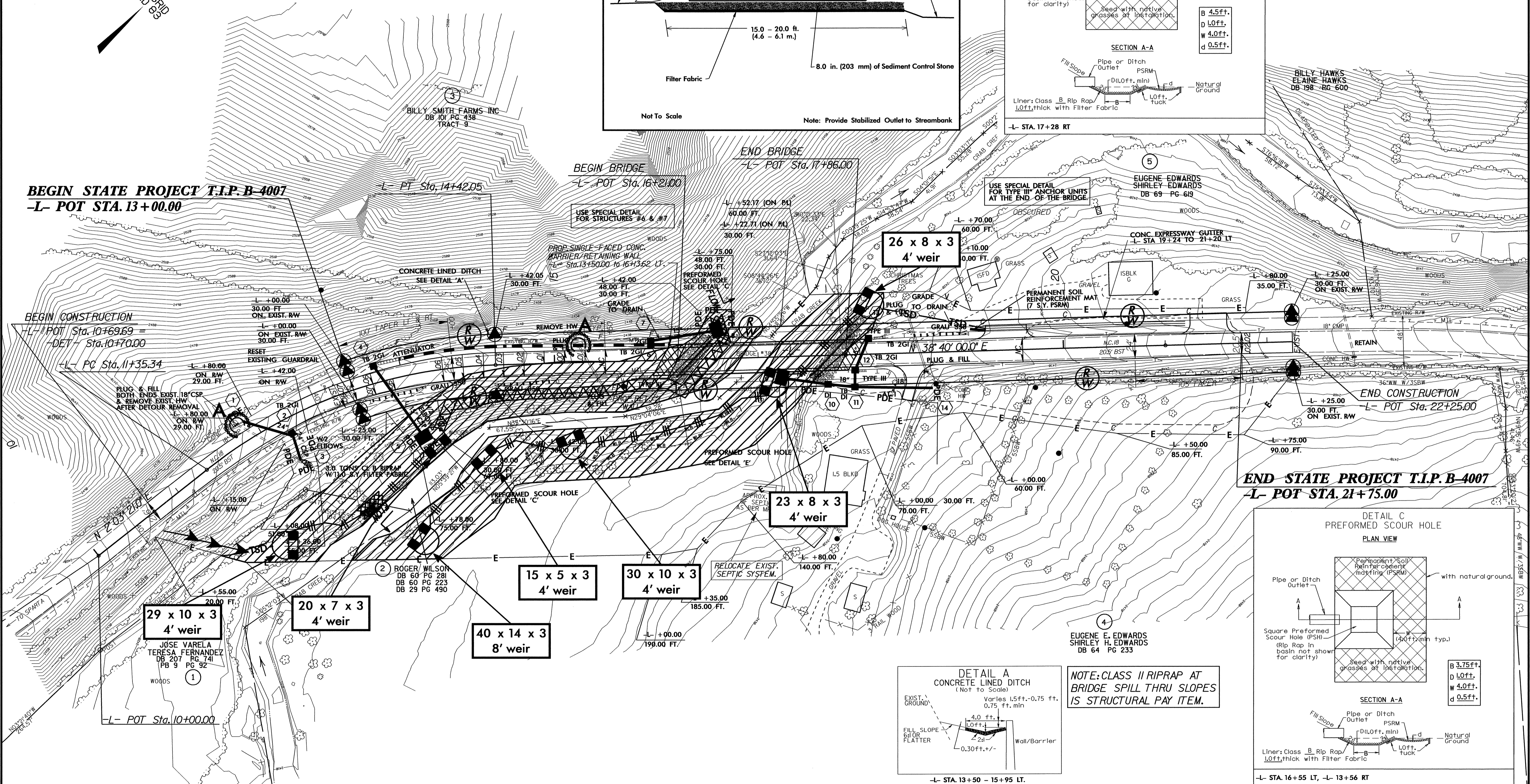
ENVIRONMENTALLY SENSITIVE AREA SEE PROJECT SPECIAL PROVISIONS

NOTE: UTILIZE SPECIAL STILLING BASIN AND/OR TEMPORARY ROCK SEDIMENT DAM TYPE - B AS STILLING BASIN WHERE APPLICABLE.

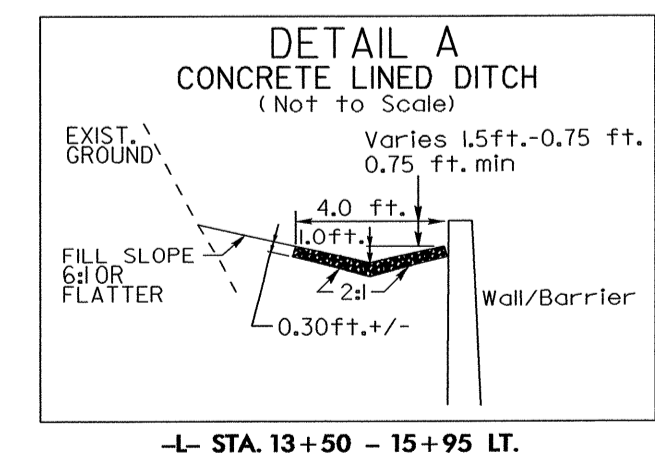


PROJECT REFERENCE NO. <b>B-4007</b>	SHEET NO. <b>EC-4/CONST.4</b>
ROADWAY DESIGN ENGINEER	HYDRAULICS ENGINEER

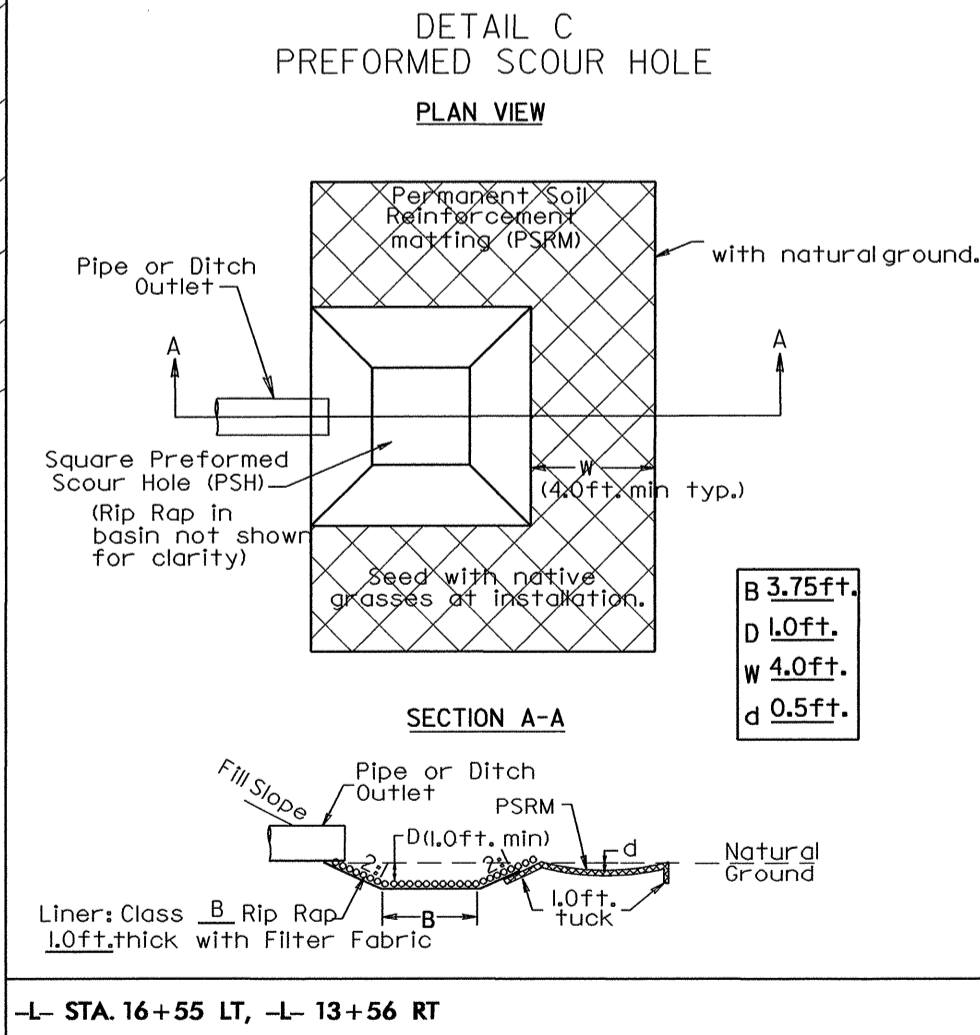
BEGIN STATE PROJECT T.I.P. B-4007  
-L- POT STA. 13+00.00



END STATE PROJECT T.I.P. B-4007  
-L- POT STA. 21+75.00



NOTE: CLASS II RIPRAP AT BRIDGE SPILL THRU SLOPES IS STRUCTURAL PAY ITEM.



**Environmental Commitments**  
The North Carolina Wildlife Resources Commission (NCWRC), has prohibited any in-stream work and land disturbance activities within 25 feet (7.6 meters) of Crab Creek, associated with this project during trout spawning season of October 15 through April 15.

SEE SHEET 2B FOR TEMPORARY DETOUR

SEE SHEETS S- THRU S- FOR STRUCTURE PLANS

SEE SHEET 5 FOR -L- PROFILE

-L-  
PI Sta 12+94.14  
Δ = 36° 36' 39.0" (RT)  
D = 11' 56" 11.8"  
L = 306.71'  
T = 158.80'  
R = 480.00'  
e = 0.06  
RO = See Plans